

 **BOEING**
COMPONENT
MAINTENANCE MANUAL

TO: ALL HOLDERS OF WIRE PROVISION INSTALLATION COMPONENT MAINTENANCE MANUAL
32-11-28

REVISION NO. 2 DATED JUL 01/03

HIGHLIGHTS

Pages which have been added or revised are outlined below together with the highlights of the revision. Remove and insert the affected pages as listed and enter Revision No. and date on the Record of Revision Sheet.

CHAPTER/SECTION

AND PAGE NO.

DESCRIPTION OF CHANGE

TITLE PAGE

Added installations 287T6101-4023 thru -4028.

1

DESCRIPTION & OPERATION

3

REPAIR 1-1

611-612

709

1002-1003,1005-1050,

1055,1057-1078,

1080E-1080H,1080W-1082B,

1082G-1082N,1082U-1084B,

1084M-1084T,1084Y-1086A,

1086I-1086L,1086W-1088D,

10880-1088W,1090E-1090P,

1092A-1092E,1092K-1092N,

1092Y-1094B,1094K-1096G

CONTENTS

Added clarifications and updated callouts.

1

1052

32-11-28

HIGHLIGHTS

01.1

Page 1

Jul 01/03

MAIN LANDING GEAR
WIRE PROVISION INSTALLATION

PART NUMBERS 287T6101-401 THRU -472,
-4001 THRU -4006,-4009,
-4010,-4012 THRU -4020
-4023 THRU -4028

COMPONENT MAINTENANCE MANUAL
WITH
ILLUSTRATED PARTS LIST

32-11-28

TITLE PAGE

Page 1

Jul 01/03

01.1



REVISION RECORD

- Retain this record in front of manual. On receipt of revision, insert revised pages in the manual, and enter revision number, date inserted and initial.

REVISION NUMBER	REVISION DATE	DATE FILED	BY	REVISION NUMBER	REVISION DATE	DATE FILED	BY

32-11-28

REVISION RECORD

01

Page 1

Mar 01/00


BOEING
 COMPONENT
 MAINTENANCE MANUAL
TEMPORARY REVISION AND SERVICE BULLETIN RECORD

BOEING SERVICE BULLETIN	BOEING TEMPORARY REVISION	OTHER DIRECTIVE	DATE OF INCORPORATION INTO MANUAL
		PRR B12900-50 PRR B13100-10 PRR B13100-19 PRR B13102-10 PRR B13106-10 PRR B13116-10 PRR B13215 MC 3246MP6003K	NOV 01/00 NOV 01/00 NOV 01/00 NOV 01/00 NOV 01/00 NOV 01/00 NOV 01/00 NOV 01/00

32-11-28

TR & SB RECORD

01.1

Page 1

Nov 01/00


BOEING
 COMPONENT
 MAINTENANCE MANUAL

PAGE	DATE	CODE	PAGE	DATE	CODE
32-11-28			REPAIR 1-1		CONT.
TITLE PAGE			610	NOV 01/00	01.1
*1	JUL 01/03	01.1	*611	JUL 01/03	01.1
2	BLANK		*612	JUL 01/03	01.1
REVISION RECORD			REPAIR 2-1		
1	MAR 01/00	01	601	NOV 01/00	01.1
2	BLANK		602	MAR 01/00	01
TR & SB RECORD			603	MAR 01/00	01
1	NOV 01/00	01.1	604	BLANK	
2	BLANK		ASSEMBLY		
LIST OF EFFECTIVE PAGES			701	NOV 01/00	01.1
*1	JUL 01/03	01	702	NOV 01/00	01.1
THRU LAST PAGE			703	NOV 01/00	01.1
CONTENTS			704	NOV 01/00	01.1
*1	JUL 01/03	01.1	705	NOV 01/00	01.1
2	BLANK		706	NOV 01/00	01.1
INTRODUCTION			707	NOV 01/00	01.1
1	MAR 01/00	01	708	NOV 01/00	01.1
2	BLANK		*709	JUL 01/03	01.1
DESCRIPTION & OPERATION			710	NOV 01/00	01.1
1	NOV 01/00	01.1	711	NOV 01/00	01.1
2	NOV 01/00	01.1	712	NOV 01/00	01.1
*3	JUL 01/03	01.1	713	NOV 01/00	01.1
4	BLANK		714	NOV 01/00	01.1
REPAIR 1-1			715	NOV 01/00	01.1
601	NOV 01/00	01.1	716	NOV 01/00	01.1
602	NOV 01/00	01.1	717	NOV 01/00	01.1
603	NOV 01/00	01.1	718	NOV 01/00	01.1
604	NOV 01/00	01.1	719	NOV 01/00	01.1
605	NOV 01/00	01.1	720	BLANK	
606	NOV 01/00	01.1	ILLUSTRATED PARTS LIST		
607	NOV 01/00	01.1	1001	MAR 01/00	01
608	NOV 01/00	01.1	*1002	JUL 01/03	01.1
609	NOV 01/00	01.1	*1003	JUL 01/03	01.1
			*1004	JUL 01/03	01.1
			*1005	JUL 01/03	01.1
			*1006	JUL 01/03	01.1
			*1007	JUL 01/03	01.1
			*1008	JUL 01/03	01.1
			*1009	JUL 01/03	01.1

* = REVISED, ADDED OR DELETED

32-11-28

EFFECTIVE PAGES

CONTINUED Page 1

01 Jul 01/03

PAGE	DATE	CODE	PAGE	DATE	CODE
ILLUSTRATED PARTS LIST		CONT.	ILLUSTRATED PARTS LIST		CONT.
*1010	JUL 01/03	01.1	*1052	JUL 01/03	01.1
*1011	JUL 01/03	01.1	*1053	JUL 01/03	01.1
*1012	JUL 01/03	01.1	*1054	JUL 01/03	01.1
*1013	JUL 01/03	01.1	*1055	JUL 01/03	01.1
*1014	JUL 01/03	01.1	*1056	JUL 01/03	01.1
*1015	JUL 01/03	01.1	*1057	JUL 01/03	01.1
*1016	JUL 01/03	01.1	*1058	JUL 01/03	01.1
*1017	JUL 01/03	01.1	*1059	JUL 01/03	01.1
*1018	JUL 01/03	01.1	*1060	JUL 01/03	01.1
*1019	JUL 01/03	01.1	*1061	JUL 01/03	01.1
*1020	JUL 01/03	01.1	*1062	JUL 01/03	01.1
*1021	JUL 01/03	01.1	*1063	JUL 01/03	01.1
*1022	JUL 01/03	01.1	*1064	JUL 01/03	01.1
*1023	JUL 01/03	01.1	*1065	JUL 01/03	01.1
*1024	JUL 01/03	01.1	*1066	JUL 01/03	01.1
*1025	JUL 01/03	01.1	*1067	JUL 01/03	01.1
*1026	JUL 01/03	01.1	*1068	JUL 01/03	01.1
*1027	JUL 01/03	01.1	*1069	JUL 01/03	01.1
*1028	JUL 01/03	01.1	*1070	JUL 01/03	01.1
*1029	JUL 01/03	01.1	*1071	JUL 01/03	01.1
*1030	JUL 01/03	01.1	*1072	JUL 01/03	01.1
*1031	JUL 01/03	01.1	*1073	JUL 01/03	01.1
*1032	JUL 01/03	01.1	*1074	JUL 01/03	01.1
*1033	JUL 01/03	01.1	*1075	JUL 01/03	01.1
*1034	JUL 01/03	01.1	*1076	JUL 01/03	01.1
*1035	JUL 01/03	01.1	*1077	JUL 01/03	01.1
*1036	JUL 01/03	01.1	*1078	JUL 01/03	01.1
*1037	JUL 01/03	01.1	*1079	BLANK	
*1038	JUL 01/03	01.1	*1080	JUL 01/03	01.1
*1039	JUL 01/03	01.1	*1080A	JUL 01/03	01.1
*1040	JUL 01/03	01.1	*1080B	JUL 01/03	01.1
*1041	JUL 01/03	01.1	*1080C	JUL 01/03	01.1
*1042	JUL 01/03	01.1	*1080D	JUL 01/03	01.1
*1043	JUL 01/03	01.1	*1080E	JUL 01/03	01.1
*1044	JUL 01/03	01.1	*1080F	JUL 01/03	01.1
*1045	JUL 01/03	01.1	*1080G	JUL 01/03	01.1
*1046	JUL 01/03	01.1	*1080H	JUL 01/03	01.1
*1047	JUL 01/03	01.1	*1080I	JUL 01/03	01.1
*1048	JUL 01/03	01.1	*1080J	JUL 01/03	01.1
*1049	JUL 01/03	01.1	*1080K	JUL 01/03	01.1
*1050	JUL 01/03	01.1	*1080L	JUL 01/03	01.1
*1051	BLANK		*1080M	JUL 01/03	01.1

* = REVISED, ADDED OR DELETED

32-11-28

EFFECTIVE PAGES
CONTINUED Page 2
01 Jul 01/03


BOEING
 COMPONENT
 MAINTENANCE MANUAL

PAGE	DATE	CODE	PAGE	DATE	CODE
ILLUSTRATED PARTS LIST		CONT.	ILLUSTRATED PARTS LIST		CONT.
*1080N	JUL 01/03	01.1	*1084	JUL 01/03	01.1
*1080O	JUL 01/03	01.1	*1084A	JUL 01/03	01.1
*1080P	JUL 01/03	01.1	*1084B	JUL 01/03	01.1
*1080Q	JUL 01/03	01.1	*1084C	JUL 01/03	01.1
*1080R	JUL 01/03	01.1	*1084D	JUL 01/03	01.1
*1080S	JUL 01/03	01.1	*1084E	JUL 01/03	01.1
*1080T	JUL 01/03	01.1	*1084F	JUL 01/03	01.1
*1080U	JUL 01/03	01.1	*1084G	JUL 01/03	01.1
*1080V	JUL 01/03	01.1	*1084H	JUL 01/03	01.1
*1080W	JUL 01/03	01.1	*1084I	JUL 01/03	01.1
*1080X	JUL 01/03	01.1	*1084J	JUL 01/03	01.1
*1080Y	JUL 01/03	01.1	*1084K	JUL 01/03	01.1
*1080Z	JUL 01/03	01.1	*1084L	JUL 01/03	01.1
*1081	JUL 01/03	01.1	*1084M	JUL 01/03	01.1
*1082	JUL 01/03	01.1	*1084N	JUL 01/03	01.1
*1082A	JUL 01/03	01.1	*1084O	JUL 01/03	01.1
*1082B	JUL 01/03	01.1	*1084P	JUL 01/03	01.1
*1082C	JUL 01/03	01.1	*1084Q	JUL 01/03	01.1
*1082D	JUL 01/03	01.1	*1084R	JUL 01/03	01.1
*1082E	JUL 01/03	01.1	*1084S	JUL 01/03	01.1
*1082F	JUL 01/03	01.1	*1084T	JUL 01/03	01.1
*1082G	JUL 01/03	01.1	*1084U	JUL 01/03	01.1
*1082H	JUL 01/03	01.1	*1084V	JUL 01/03	01.1
*1082I	JUL 01/03	01.1	*1084W	JUL 01/03	01.1
*1082J	JUL 01/03	01.1	*1084X	JUL 01/03	01.1
*1082K	JUL 01/03	01.1	*1084Y	JUL 01/03	01.1
*1082L	JUL 01/03	01.1	*1084Z	JUL 01/03	01.1
*1082M	JUL 01/03	01.1	*1085	JUL 01/03	01.1
*1082N	JUL 01/03	01.1	*1086	JUL 01/03	01.1
*1082O	BLANK		*1086A	JUL 01/03	01.1
*1082P	JUL 01/03	01.1	*1086B	BLANK	
*1082Q	JUL 01/03	01.1	*1086C	JUL 01/03	01.1
*1082R	JUL 01/03	01.1	*1086D	JUL 01/03	01.1
*1082S	JUL 01/03	01.1	*1086E	JUL 01/03	01.1
*1082T	JUL 01/03	01.1	*1086F	JUL 01/03	01.1
*1082U	JUL 01/03	01.1	*1086G	JUL 01/03	01.1
*1082V	JUL 01/03	01.1	*1086H	JUL 01/03	01.1
*1082W	JUL 01/03	01.1	*1086I	JUL 01/03	01.1
*1082X	JUL 01/03	01.1	*1086J	JUL 01/03	01.1
*1082Y	JUL 01/03	01.1	*1086K	JUL 01/03	01.1
*1082Z	JUL 01/03	01.1	*1086L	JUL 01/03	01.1
*1083	JUL 01/03	01.1	*1086M	BLANK	

* = REVISED, ADDED OR DELETED

32-11-28

EFFECTIVE PAGES

CONTINUED Page 3

01 Jul 01/03

PAGE	DATE	CODE	PAGE	DATE	CODE
ILLUSTRATED PARTS LIST		CONT.	ILLUSTRATED PARTS LIST		CONT.
*1086N	JUL 01/03	01.1	*1090	JUL 01/03	01.1
*1086O	JUL 01/03	01.1	*1090A	JUL 01/03	01.1
*1086P	JUL 01/03	01.1	*1090B	JUL 01/03	01.1
*1086Q	JUL 01/03	01.1	*1090C	JUL 01/03	01.1
*1086R	JUL 01/03	01.1	*1090D	JUL 01/03	01.1
*1086S	JUL 01/03	01.1	*1090E	JUL 01/03	01.1
*1086T	JUL 01/03	01.1	*1090F	JUL 01/03	01.1
*1086U	JUL 01/03	01.1	*1090G	JUL 01/03	01.1
*1086V	JUL 01/03	01.1	*1090H	JUL 01/03	01.1
*1086W	JUL 01/03	01.1	*1090I	JUL 01/03	01.1
*1086X	JUL 01/03	01.1	*1090J	JUL 01/03	01.1
*1086Y	JUL 01/03	01.1	*1090K	JUL 01/03	01.1
*1086Z	JUL 01/03	01.1	*1090L	JUL 01/03	01.1
*1087	JUL 01/03	01.1	*1090M	JUL 01/03	01.1
*1088	JUL 01/03	01.1	*1090N	JUL 01/03	01.1
*1088A	JUL 01/03	01.1	*1090O	JUL 01/03	01.1
*1088B	JUL 01/03	01.1	*1090P	JUL 01/03	01.1
*1088C	JUL 01/03	01.1	*1090Q	BLANK	
*1088D	JUL 01/03	01.1	*1090R	JUL 01/03	01.1
*1088E	BLANK		*1090S	JUL 01/03	01.1
*1088F	JUL 01/03	01.1	*1090T	JUL 01/03	01.1
*1088G	JUL 01/03	01.1	*1090U	JUL 01/03	01.1
*1088H	JUL 01/03	01.1	*1090V	JUL 01/03	01.1
*1088I	JUL 01/03	01.1	*1090W	JUL 01/03	01.1
*1088J	JUL 01/03	01.1	*1090X	JUL 01/03	01.1
*1088K	JUL 01/03	01.1	*1090Y	JUL 01/03	01.1
*1088L	JUL 01/03	01.1	*1090Z	JUL 01/03	01.1
*1088M	JUL 01/03	01.1	*1091	JUL 01/03	01.1
*1088N	JUL 01/03	01.1	*1092	JUL 01/03	01.1
*1088O	JUL 01/03	01.1	*1092A	JUL 01/03	01.1
*1088P	JUL 01/03	01.1	*1092B	JUL 01/03	01.1
*1088Q	JUL 01/03	01.1	*1092C	JUL 01/03	01.1
*1088R	JUL 01/03	01.1	*1092D	JUL 01/03	01.1
*1088S	JUL 01/03	01.1	*1092E	JUL 01/03	01.1
*1088T	JUL 01/03	01.1	*1092F	JUL 01/03	01.1
*1088U	JUL 01/03	01.1	*1092G	JUL 01/03	01.1
*1088V	JUL 01/03	01.1	*1092H	JUL 01/03	01.1
*1088W	JUL 01/03	01.1	*1092I	JUL 01/03	01.1
*1088X	BLANK		*1092J	JUL 01/03	01.1
*1088Y	JUL 01/03	01.1	*1092K	JUL 01/03	01.1
*1088Z	JUL 01/03	01.1	*1092L	JUL 01/03	01.1
*1089	JUL 01/03	01.1	*1092M	JUL 01/03	01.1

* = REVISED, ADDED OR DELETED

32-11-28

EFFECTIVE PAGES
CONTINUED Page 4
01 Jul 01/03


BOEING
 COMPONENT
 MAINTENANCE MANUAL

PAGE	DATE	CODE	PAGE	DATE	CODE
ILLUSTRATED PARTS LIST		CONT.	ILLUSTRATED PARTS LIST		CONT.
*1092N	JUL 01/03	01.1	*1096	JUL 01/03	01.1
*1092O	JUL 01/03	01.1	*1096A	JUL 01/03	01.1
*1092P	JUL 01/03	01.1	*1096B	JUL 01/03	01.1
*1092Q	JUL 01/03	01.1	*1096C	JUL 01/03	01.1
*1092R	JUL 01/03	01.1	*1096D	JUL 01/03	01.1
*1092S	JUL 01/03	01.1	*1096E	JUL 01/03	01.1
*1092T	JUL 01/03	01.1	*1096F	JUL 01/03	01.1
*1092U	JUL 01/03	01.1	*1096G	JUL 01/03	01.1
*1092V	JUL 01/03	01.1	*1096H	BLANK	
*1092W	JUL 01/03	01.1			
*1092X	JUL 01/03	01.1			
*1092Y	JUL 01/03	01.1			
*1092Z	JUL 01/03	01.1			
*1093	JUL 01/03	01.1			
*1094	JUL 01/03	01.1			
*1094A	JUL 01/03	01.1			
*1094B	JUL 01/03	01.1			
*1094C	BLANK				
*1094D	JUL 01/03	01.1			
*1094E	JUL 01/03	01.1			
*1094F	JUL 01/03	01.1			
*1094G	JUL 01/03	01.1			
*1094H	JUL 01/03	01.1			
*1094I	JUL 01/03	01.1			
*1094J	JUL 01/03	01.1			
*1094K	JUL 01/03	01.1			
*1094L	JUL 01/03	01.1			
*1094M	JUL 01/03	01.1			
*1094N	JUL 01/03	01.1			
*1094O	JUL 01/03	01.1			
*1094P	JUL 01/03	01.1			
*1094Q	JUL 01/03	01.1			
*1094R	JUL 01/03	01.1			
*1094S	JUL 01/03	01.1			
*1094T	JUL 01/03	01.1			
*1094U	JUL 01/03	01.1			
*1094V	JUL 01/03	01.1			
*1094W	JUL 01/03	01.1			
*1094X	JUL 01/03	01.1			
*1094Y	JUL 01/03	01.1			
*1094Z	JUL 01/03	01.1			
*1095	JUL 01/03	01.1			

* = REVISED, ADDED OR DELETED

32-11-28

EFFECTIVE PAGES
 LAST PAGE Page 5
 01 Jul 01/03



TABLE OF CONTENTS

<u>Paragraph Title</u>	<u>Page</u>
Description and Operation	1
Testing and Trouble Shooting*[1]	
Disassembly*[1]	
Cleaning.*[1]	
Check*[1]	
Repair.	601
Assembly.	701
Fits and Clearances (not applicable)	
Special Tools (not applicable)	
Illustrated Parts List.	1001

|*[1] Special instructions are not required. Use standard industry practices.



INTRODUCTION

The instructions in this manual provide the information necessary to assemble the wire provisions installations onto the main landing gear buildup assembly.

This manual is divided into separate sections:

- | | |
|--|------------------------------|
| 1. Title Page | 4. List of Effective Pages |
| 2. Record of Revisions | 5. Table of Contents |
| 3. Temporary Revision &
Service Bulletin Record | 6. Introduction |
| | 7. Procedures & IPL Sections |

Refer to the Table of Contents for the page location of applicable sections.

An explanation of the use of the Illustrated Parts List is provided in the Introduction to that section.

All weights and measurements used in the manual are in English units, unless otherwise stated. When metric equivalents are given they will be in parentheses following the English units.

Design changes, optional parts, configuration differences and Service Bulletin modifications create alternate part numbers. These are identified in the Illustrated Parts List (IPL) by adding an alphabetical character to the basic item number. The resulting item number is called an alpha-variant. Throughout the manual, IPL basic item number references also apply to alpha-variants unless otherwise indicated.

32-11-28

INTRODUCTION

01

Page 1

Mar 01/00

WIRE PROVISION INSTALLATIONDESCRIPTION AND OPERATION1. Rear Spar to Oleo Wire Provision Installation

A. Description

- (1) The rear spar to oleo wire provision installation includes two junction box assemblies, a conduit assembly, attach brackets, attach clamps and a fairlead assembly.
- (2) Weight - 9.1 lbs

B. Operation

- (1) The rear spar to oleo wire provision installation gives environmental and HIRF/lightning protection for wiring to proximity sensors on the drag strut, side strut, truck, wheels, and brakes.
- (2) The upper junction box contains connectors mating with wiring from the wing trailing edge, to let the wiring be disconnected between the main landing gear and the wing structure for maintenance operations.
- (3) The lower junction box contains connectors for a common wire run to the drag strut, the side strut, and the truck. The connectors to the drag and side struts let the wiring be disconnected for maintenance operations.

2. Side and Drag Brace Wire Provision Installation

A. Description

- (1) The side and drag brace wire provision installation has four sensors, two side brace sensor wire harness assemblies, two drag brace sensor wire harness assemblies and attach clamps. The wire harnesses connect to the lower junction box of the rear spar wire provision installation.

32-11-28

DESCRIPTION & OPERATION

01.1

Page 1

Nov 01/00

(2) Weight - 3.4 lbs

B. Operation

(1) The side and drag brace wire provision installation gives environmental and HIRF/lightning protection for wiring to the drag and side strut proximity sensors. The installation makes two fully isolated systems for both the drag and side struts.

3. Oleo To Truck Wire Provision Installation

A. Description

(1) The oleo to truck wire provision installation includes two wire harness assemblies, attach fixtures, and a support tube assembly. The oleo to truck wire provision installation connects to the lower junction box of the rear spar wire provision installation.

(2) Weight - 16.6 lbs

B. Operation

(1) The oleo to truck wire provision installation gives environmental and HIRF/lightning protection for wiring to the truck position proximity sensor, the wheel speed transducers, the brake temperature sensors, and the tire pressure indication sensors on the truck.

4. Truck Wire Provision Installation

A. Description

(1) The truck wire provision installation includes a forward wire harness assembly, aft wire harness assembly, shield, support brackets and attach clamps.

(2) Weight - 28.4 lbs

32-11-28

DESCRIPTION & OPERATION

01.1

Page 2

Nov 01/00

B. Operation

- (1) The MLG truck wire provision installation gives environmental and HIRF/lightning protection for wiring to the wheel speed transducers, truck position proximity sensors, and brake temperature sensor truck. The truck junction boxes contain connections with the oleo to truck wire provision installation, to let the wiring be disconnected between the MLG truck and the MLG oleo (shock strut) for maintenance operations.

32-11-28

DESCRIPTION & OPERATION

01.1

Page 3

Jul 01/03

REFINISH OF OTHER PARTS – REPAIR 1-11. General

- A. This procedure has the data necessary to refinish parts which are not in the specified repairs.
- B. Refer to the Standard Overhaul Practices Manual (SOPM) for details of the SOPM subjects identified in the procedure.
- C. Refer to the indicated IPL figures for item numbers.

2. Refinish of Other Parts

A. General

- (1) Instructions for the repair of the parts listed in Table 601 are for repair of the initial finish.

B. Consumable Materials

NOTE: Equivalent material can be used.

- (1) C00032 Enamel – BMS 10-60, Type 1 (SOPM 20-60-02)
- (2) C00033 Enamel – BMS 10-60, Type 2 (SOPM 20-60-02)
- (3) C00175 Primer – BMS 10-79, Type 2 (SOPM 20-60-02)
- (4) C00259 Primer – BMS 10-11, Type 1 (SOPM 20-60-02)

C. References

- (1) SOPM 20-10-06, Repair of Conductive Coatings
- (2) SOPM 20-11-03, Repair of Electrical Terminations and Electrical Bonding Areas
- (3) SOPM 20-12-01, Soldering Electrical Connections
- (4) SOPM 20-30-02, Stripping of Protective Finishes
- (5) SOPM 20-30-03, General Cleaning Procedures
- (6) SOPM 20-41-01, Decoding Table for Boeing Finish Codes

32-11-28

REPAIR 1-1

01.1

Page 601

Nov 01/00

- (7) SOPM 20-41-02, Application of Chemical and Solvent Resistant Finishes
- (8) SOPM 20-42-05, Bright Cadmium Plating
- (9) SOPM 20-43-01, Chromic Acid Anodizing
- (10) SOPM 20-44-04, Application of Urethane Compatible Primer
- (11) SOPM 20-50-02, Installation of Safetying Devices
- (12) SOPM 20-50-10, Application of Stencils, Insignia, Silk Screen, Part Numbering and Identification Markings
- (13) SOPM 20-60-02, Finishing Materials

D. Procedure

IPL FIG. & ITEM	MATERIAL	FINISH
<u>IPL Fig. 1</u>		
Fairlead Assembly (106)		Install sleeving (120) onto the fairlead (125) (SOPM 20-11-03). Smooth out all wrinkles after shrinking. Cut the sleeving flush with fairlead shoulders.
Fairlead (110)	CRES rod	Passivate (F-17.25, which replaces F-17.09). Apply BMS 10-11, type 1 primer (F-20.03). Apply BMS 10-60, type 1 gloss enamel (F-14.9813, which replaces SRF-14.9813).
Bracket (112,195)	Al alloy	Boric acid-sulfuric acid anodize or chromic acid anodize (F-17.31). Apply BMS 10-79, type 3 primer (F-19.47). Apply BMS 10-60, type 2 gloss enamel (F-19.39-707).
Bracket (113)	304 CRES	Cadmium plate (F-15.06). Apply BMS 10-11, type 1 primer (F-20.02). Apply BMS 10-60, type 2 gloss enamel (F-19.39-707).

Table 601 (Sheet 1)

32-11-28

REPAIR 1-1

01.1 Page 602

Nov 01/00


BOEING
 COMPONENT
 MAINTENANCE MANUAL

IPL FIG. & ITEM	MATERIAL	FINISH
<u>IPL Fig. 3</u>		
Channel (135)	Al alloy	Boric acid-sulfuric acid anodize or chromic acid anodize (F-17.31). Apply BMS 10-79, type 3 primer (F-19.47). Apply BMS 10-60, enamel (F-19.39-707).
Bracket (160)	Al alloy	Boric acid-sulfuric acid anodize or chromic acid anodize (F-17.31). Apply BMS 10-79, type 3 primer (F-19.47). Apply BMS 10-60, enamel (F-19.39-707).
Channel (195)	Al alloy	Boric acid-sulfuric acid anodize or chromic acid anodize (F-17.31). Apply BMS 10-11, type 1 primer (F-20.03).
<u>IPL Fig. 4</u>		
Shield (110)	304 CRES	Passivate (F-17.25). BMS 10-11, type 1 primer (F-20.03).

Table 601 (Sheet 2)

32-11-28

REPAIR 1-1

01.1

Page 603

Nov 01/00

IPL FIG. & ITEM	MATERIAL	FINISH
<u>IPL Fig. 5</u> Bracket (35) Bracket assembly (40,115) Bracket (55,130) Tube assembly (100,105) <u>IPL Fig. 6</u> Bracket assembly (121)	Al alloy Al alloy	Chemical treat and apply BMS 10-11, type 1 primer (F-18.06). Apply BMS 10-60 enamel (F-14.9813, which replaces SRF-14.9813). Apply BMS 10-11, type 1 primer (F-14.995) and BMS 10-60 enamel (F-14.9813, which replaces SRF-14.9813), but not on threads. Chemic treat and apply BMS 10-11, type 1 primer (F-18.06). Chemical treat and apply BMS 10-11, type 1 primer (F-18.07). Apply BMS 10-60 enamel (F-14.9813, which replaces SRF-14.9813). Apply BMS 10-11, type 1 primer (F-14.995) and BMS 10-60 enamel (F-14.9813, which replaces SRF-14.9813) but not on threads.

Table 601 (Sheet 3)

32-11-28

REPAIR 1-1

01.1

Page 604

Nov 01/00


BOEING
 COMPONENT
 MAINTENANCE MANUAL

IPL FIG. & ITEM	MATERIAL	FINISH
<u>IPL Fig. 6</u> (cont)		
Bracket (124)	Al alloy	Chemical treat and apply BMS 10-11, type 1 primer (F-18.06).
Bracket (125,145)	Al alloy	Chemical treat and apply BMS 10-11, type 1 primer (F-18.06). Apply BMS 10-60 enamel (F-14.9813, which replaces SRF-14.9813).
Filler (140), Channel (180)	Al alloy	Chromic acid anodize and apply BMS 10-11, type 1 primer (F-18.13). Apply BMS 10-60 enamel (F-14.9813, which replaces SRF-14.9813).
<u>IPL Fig. 7</u>		
Bracket assembly (35)		Apply BMS 10-11, type 1 primer (F-14.995) and BMS 10-60 enamel (F-14.9813, which replaces SRF-14.9813), but not on threads.
Bracket (50)	Al alloy	Chemical treat and apply BMS 10-11, type 1 primer (F-18.06).
Tube assembly (100,105)		Chemical treat and apply BMS 10-11, type 1 primer (F-18.07). Apply BMS 10-60 enamel (F-14.9813, which replaces SRF-14.9813).

Table 601 (Sheet 4)

32-11-28

REPAIR 1-1

01.1

Page 605

Nov 01/00

IPL FIG. & ITEM	MATERIAL	FINISH
<u>IPL Fig. 7</u> (cont)		
Bracket (155)	Al alloy	Chemical treat and apply BMS 10-11, type 1 primer (F-18.06). Apply BMS 10-60 enamel (F-14.9813, which replaces SRF-14.9813).
<u>IPL Fig. 8</u>		
Bracket (45)	Al alloy	Chromic acid anodize (F-17.04). Apply BMS 10-11, type 1 primer (F-20.02) and BMS 10-60 enamel (F-14.9813, which replaces SRF-14.9813).
Bracket assembly (50,55)		Apply BMS 10-11, type 1 primer (F-14.995) and BMS 10-60 enamel (F-14.9813, which replaces SRF-14.9813), but not on threads.
Bracket (75,80)		Chemical treat and apply BMS 10-11, type 1 primer (F-18.06).
Angle (85,90) Bracket (107)	Al alloy	Chromic acid anodize and apply BMS 10-11, type 1 primer (F-18.13) and BMS 10-60 enamel (F-14.9813, which replaces SRF-14.9813).
Bracket (105)	Al alloy	Chemical treat and apply BMS 10-11, type 1 primer (F-18.06). Apply BMS 10-60 enamel (F-14.9813, which replaces SRF-14.9813).

Table 601 (Sheet 5)

32-11-28

REPAIR 1-1

01.1

Page 606

Nov 01/00


BOEING
 COMPONENT
 MAINTENANCE MANUAL

IPL FIG. & ITEM	MATERIAL	FINISH
<u>IPL Fig. 9</u>		
Channel (165), Filler (215)	Al alloy	Chromic acid anodize and apply BMS 10-11, type 1 primer (F-18.13) and BMS 10-60 enamel (F-14.9813, which replaces SRF-14.9813).
Brackets (220,225)	Al alloy	Chemical treat and apply BMS 10-11, type 1 primer (F-18.06) and BMS 10-60 enamel (F-14.9813, which replaces SRF-14.9813).
Bracket assembly (235)		Apply BMS 10-11, type 1 primer (F-14.995) and BMS 10-60 enamel (F-14.9813, which replaces SRF-14.9813), but not on threads.
Bracket (250)	Al alloy	Chemical treat and apply BMS 10-11, type 1 primer (F-18.06).
<u>IPL Fig. 10</u>		
Channel (160), Filler (200)	Al alloy	Chromic acid anodize and apply BMS 10-11, type 1 primer (F-18.13) and BMS 10-60 enamel (F-14.9813, which replaces SRF-14.9813).
Brackets (205,210)	Al alloy	Chemical treat and apply BMS 10-11, type primer (F-18.06) and BMS 10-60 enamel (F-14.9813, which replaces SRF-14.9813), but not on threads.
Bracket assembly (220)		Apply BMS 10-11, type 1 primer (F-14.995) and BMS 10-60 enamel (F-14.9813, which replaces SRF-14.9813).

Table 601 (Sheet 6)

32-11-28

REPAIR 1-1

01.1

Page 607

Nov 01/00

IPL FIG. & ITEM	MATERIAL	FINISH
<u>IPL Fig. 10</u> (cont)		
Bracket (235)	Al alloy	Chemical treat and apply BMS 10-11 type 1 primer (F-18.06)
<u>IPL Fig. 11</u>		
Channel (155), Filler (195)	Al alloy	Chromic acid anodize and apply BMS 10-11, type 1 primer (F-18.13) and BMS 10-60 enamel (F-14.9813, which replaces SRF-14.9813).
Brackets (200,205)	Al alloy	Chemical treat and apply BMS 10-11, type 1 primer (F-18.06) and BMS 10-60 enamel (F-14.9813, which replaces SRF-14.9813).
Bracket assembly (215)		Apply BMS 10-11, type 1 primer (F-14.995) and BMS 10-60 enamel (F-14.9813, which replaces SRF-14.9813) but not on threads.
Bracket (230)	Al alloy	Chemical treat and apply BMS 10-11, type 1 primer (F-18.06).
<u>IPL Fig. 12</u>		
Bracket assembly (121)		Apply BMS 10-11, type 1 primer (F-14.995) and BMS 10-60 enamel (F-14.9813, which replaces SRF-14.9813).

Table 601 (Sheet 7)

32-11-28

REPAIR 1-1

01.1

Page 608

Nov 01/00


BOEING
 COMPONENT
 MAINTENANCE MANUAL

IPL FIG. & ITEM	MATERIAL	FINISH
<u>IPL Fig. 12</u> (cont)		
Bracket (124)	Al alloy	Chemical treat and apply BMS 10-11 type 1 primer (F-18.06)
Brackets (125,145)	Al alloy	Chemical treat and apply BMS 10-11, type 1 primer (F-18.06) and BMS 10-60 enamel (F-14.9813, which replaces SRF-14.9813).
Channel (180), Filler (140)	Al alloy	Chromic acid anodize and apply BMS 10-11, type 1 primer (F-18.13) and BMS 10-60 enamel (F-14.9813, which replaces SRF-14.9813).
<u>IPL Fig. 13</u>		
Tube assembly (60,65)		Chemical treat and apply BMS 10-11, type 1 primer (F-18.07). Apply BMS 10-60 enamel (F-14.9813, which replaces SRF-14.9813).
Bracket assembly (75,155)		Apply BMS 10-11, type 1 primer (F-14.995) and BMS 10-60 enamel (F-14.9813, which replaces SRF-14.9813), but not on threads.
Bracket (90,170)	Al alloy	Chemical treat and apply BMS 10-11, type 1 primer (F-18.06).

Table 601 (Sheet 8)

32-11-28

REPAIR 1-1

01.1

Page 609

Nov 01/00

IPL FIG. & ITEM	MATERIAL	FINISH
<u>IPL Fig. 14</u> Bracket assembly (65,70)		Passivate (F-17.25, which replaces F-17.09). Apply BMS 10-11, type 1 primer (F-20.02). Apply BMS 10-60 enamel (F-14.9813, which replaces SRF-14.9813).
Channels (105,125,130, 155,160) Brackets (220,225,290, 292,295,297)	Al alloy	Chromic acid anodize and apply BMS 10-11, type 1 primer (F-18.13). Apply BMS 10-60 enamel (F-14.9813, which replaces SRF-14.9813).
Bracket assembly (110,115,140,145,195, 200,265,270)		Apply BMS 10-11, type 1 primer (F-14.995) and BMS 10-60 enamel (F-14.9813, which replaces SRF-14.9813), but not on threads.
Brackets (135,165,235, 305), Spacers (230,300), Plate (335)	Al alloy	Chemical treat and apply BMS 10-11, type 1 primer (F-18.06). Apply BMS 10-60 enamel (F-14.9813, which replaces SRF-14.9813).
Bracket (375)	Al alloy	Chemical treat and apply BMS 10-11, type 1 primer (F-18.06). Apply BMS 10-86 coating (F14-9625, which replaces SRF-14.9625) to wear surfaces.
Plates (380)	Al alloy	Chromic acid anodize (F-17.04). Apply BMS 10-11, type 1 primer (F-20.02). Apply BMS 10-86 coating (F-14.9625, which replaces SRF-14.9625) to inside curved surfaces.

Table 601 (Sheet 9)

32-11-28

REPAIR 1-1

01.1

Page 610

Nov 01/00

IPL FIG. & ITEM	MATERIAL	FINISH
<u>IPL Fig. 16</u>		
Clip (85)	301 CRES	Passivate (F-17.25).
Clip (90)	304 CRES	Passivate (F-17.25).
Fairlead (145)	302,321, or 347 CRES	Passivate (F-17.25). Or apply BMS 10-11, Type 1 primer (F-20.02) and BMS 10-60 enamel (F-14.9813).
Channel (185)	Al alloy	Boric acid-sulfuric acid anodize or chromic acid anodize (F-17.31). Apply BMS 10-11, Type 1 primer (F-20.03).
Blocks (190,195,240)	Rubber	No finish.
Brackets (200,205)	Al alloy	Boric acid-sulfuric acid anodize or chromic acid anodize (F-17.31). Apply BMS 10-79, Type 3 primer (F-19.47) and BMS 10-60, Type 2 enamel (F-19.39-707).
Channel (245)	Al alloy	Boric acid-sulfuric acid anodize or chromic acid anodize (F-17.31). Apply BMS 10-79, Type 3 primer (F-19.47). Apply BMS 10-60, Type 2 enamel but not in the large central hole.

Table 601 (Sheet 11)

32-11-28

REPAIR 1-1

01.1

Page 612

Jul 01/03

ALUMINUM FOIL MARKER REPLACEMENT – REPAIR 2-11. General

- A. This procedure has the necessary data to replace the aluminum foil markers (IPL Fig. 2; 225,235,245,255), (IPL Fig. 4; 465,475).
- B. Refer to the Standard Overhaul Practices Manual (SOPM) for details of the SOPM subjects identified in the procedure.
- C. Refer to IPL Fig. 2 and 4 for item numbers.

2. Replacement

A. Consumable Materials

NOTE: Equivalent material can be used.

- (1) C00440 Top Coat – Type 41 Hydraulic Fluid Resistant (SOPM 20-60-02)

B. References

- (1) SOPM 20-44-01, Application of Special Purpose Coatings and Finishes
- (2) SOPM 20-50-05, Application of Aluminum Foil and Other Markers
- (3) SOPM 20-60-02, Finishing Materials

C. Procedure

- (1) Remove the bad aluminum foil marker (IPL Fig. 2; 225,235,245,255), (IPL Fig. 4; 465,475).
- (2) Clean the surface where the replacement aluminum foil markers will be installed.
- (3) Install the replacement aluminum foil markers, in the locations shown in Fig. 601 and 602 (SOPM 20-50-05).
- (4) Edge seal the aluminum foil markers with Type 41 hydraulic fluid resistant coating (F-21.34).

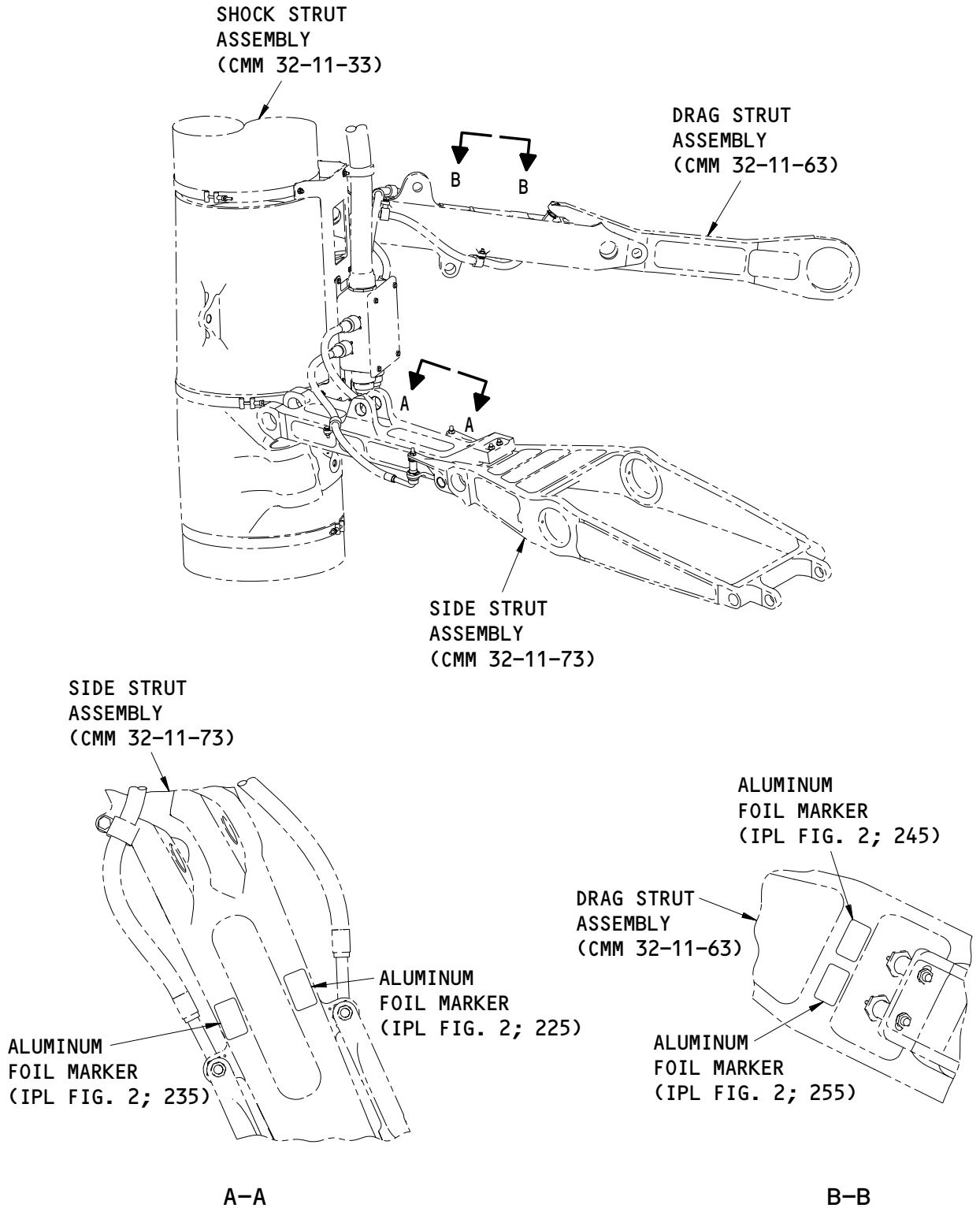
32-11-28

REPAIR 2-1

01.1

Page 601

Nov 01/00



Aluminum Foil Marker - Replacement
 Figure 601

32-11-28

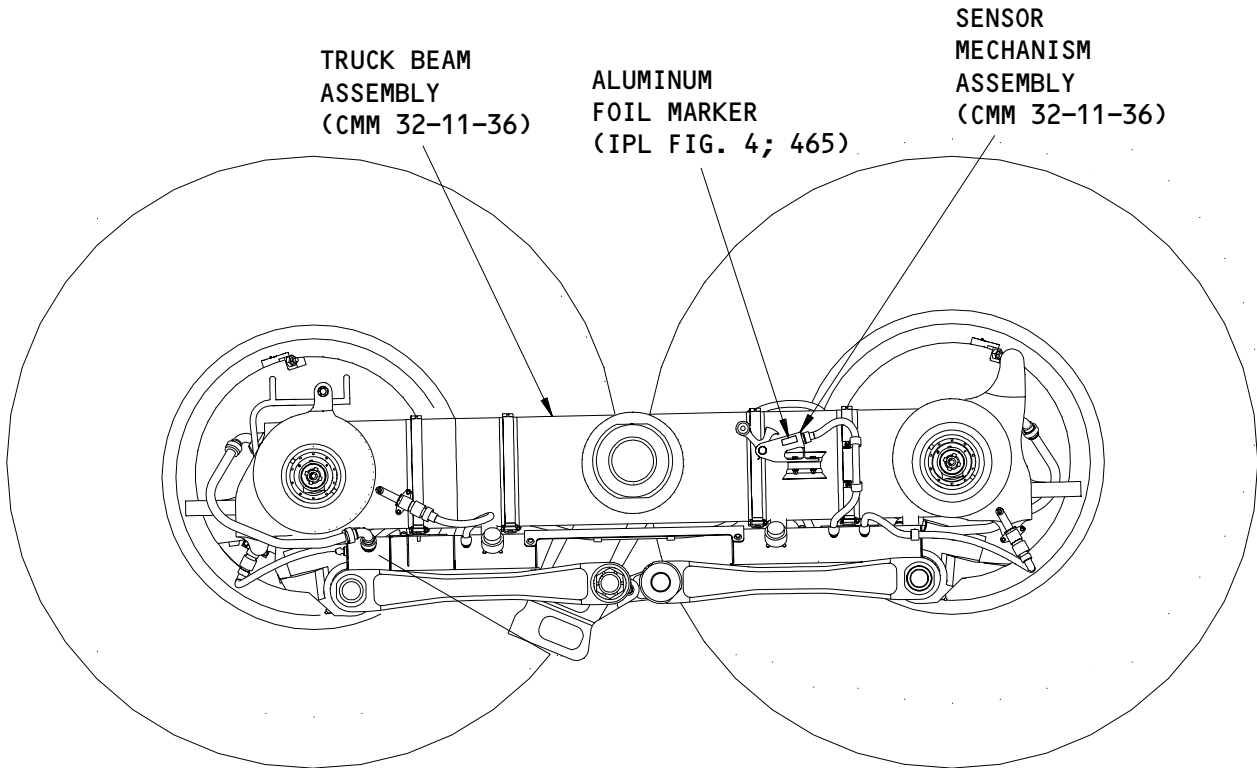
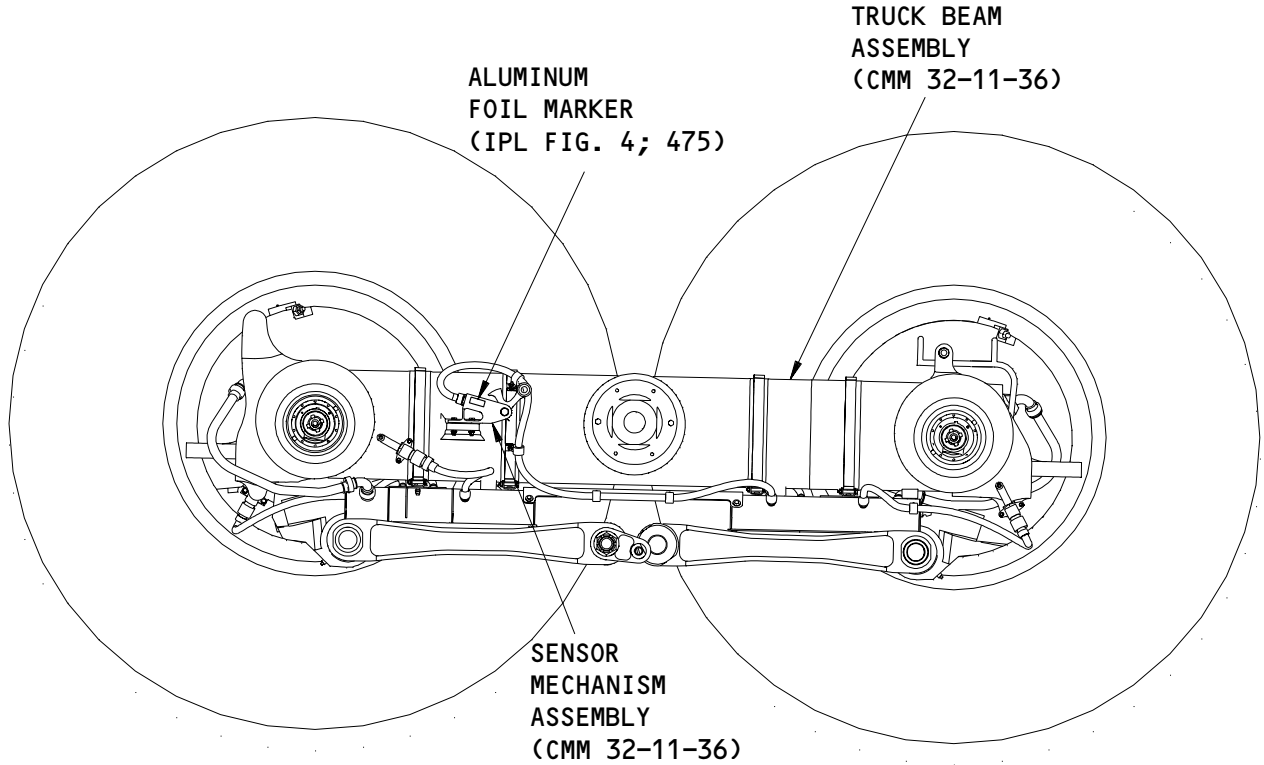
REPAIR 2-1

Page 602

Mar 01/00

01

BOEING
COMPONENT
MAINTENANCE MANUAL



Aluminum Foil Marker - Replacement
Figure 602

32-11-28

REPAIR 2-1

01

Page 603

Mar 01/00

ASSEMBLY1. General

- A. This procedure has the necessary data to install the wire provisions installations onto the main landing gear buildup assembly.
- B. Refer to the Standard Overhaul Practices Manual (SOPM) for details of the SOPM subjects identified in the procedure.
- C. Refer to the applicable figures of the IPL for item numbers. Use standard industry practices and these steps.

2. Assembly

A. Consumable Materials

NOTE: Equivalent material can be used.

- (1) G00434 Lockwire - MS20995C32 (SOPM 20-60-04)
- (2) G01313 Tape - Scotch 5421 Mylar (SOPM 20-60-04)

B. References

- (1) CMM 32-10-53, Wire Harness Assembly
- (2) CMM 32-11-36, Main Landing Gear Buildup Assembly
- (3) CMM 32-11-57, Main Landing Gear Bracket Installation
- (4) SOPM 20-30-03, General Cleaning Procedures
- (5) SOPM 20-50-02, Installation of Safetying Devices
- (6) SOPM 20-60-04, Miscellaneous Materials

32-11-28ASSEMBLY
Page 701
Nov 01/00

01.1

C. Procedure

(1) Installation of the Rear Spar Wire Provision Installation
(IPL Fig. 1)

(a) Install the wire harness assembly (235) onto the main landing gear shock strut.

1) Install the bracket (112) onto the main landing gear shock strut assembly with the screw (65), the washer (90) and the nut (95).

2) Install the fairlead assembly (106) around the conduit assembly (305) and onto the bracket (113) with the washer (104) and the nut (102).

3) Install the clamps (145) onto the main landing gear shock strut assembly with the screws (140).

4) Installation of the clamp (200).

a) Install block assembly and bracket during the following clamp (300) installation as shown in CMM 32-11-57, IPL Fig. 1, 150.

b) Clean the painted surface of the shock strut (SOPM 20-30-03).

c) Install one wrap of tape (405). Overlap the ends of the tape approximately one inch.

d) Install the clamp (200), the clips (170), the blocks (175), the bracket (195), the bolts (165), the washers (180) and the nuts (185) onto the main landing gear shock strut assembly.

32-11-28

ASSEMBLY
Page 702
Nov 01/00

01.1

**BOEING**
COMPONENT
MAINTENANCE MANUAL

- 5) Install the clamp (190) around the conduit of harness (235, 240) and onto the bracket (195) with the bolts (150), the washers (155) and the nuts (185).
 - 6) Install the clamp (215) onto the main landing gear shock strut assembly with the washers (210) and the bolt (205).
 - 7) Install junction box J3 onto the main landing gear shock strut with the bolts (220), the washers (225) and the spacers (230).
- (2) Installation of Side Brace and Drag Brace Wire Provision Installation (IPL Fig. 2).
- (a) Install the wire harness assemblies (175, 200) on the side strut with the nuts (150, 165), the washers (145, 170), the stud (140) and the shims (155, 160).
 - (b) Lockwire the nut (165) to the conduit end fittings at the end of the wire harness assembly (175, 200) (SOPM 20-50-02 and Fig. 701).
 - (c) Install the wire harness assemblies (70, 95) on the drag strut with the nuts (50, 60), the washers (45, 65), the shim (55) and the stud (40).
 - (d) Lockwire the nuts (60) together (SOPM 20-50-02 and Fig. 701).
 - (e) Install the fittings (35) around the wire harness (70, 95) and fasten the fittings to the drag strut with the nuts (25), the washers (20), the spacer (30) and the bolts (10, 15).
 - (f) Install the clamp (135) around the wire harness assembly (200) and attach the clamp to the side strut with the nuts (130), the washer (125) and the bolt (120).

32-11-28ASSEMBLY
01.1 Page 703
Nov 01/00

- (3) Installation of the Oleo to Truck Wire Provision Installation (IPL Fig. 3)
 - (a) Install the clamp (15) over the wire harness assembly (265) and then install the clamp (15) onto the shock strut assembly with the screw (10).
 - (b) Install the clamp (35) over the wire harness assembly (220) and then install the clamp (35) onto the shock strut assembly with the screw (20), the washer (25) and the nut (30).
 - (c) Install the clamp (85) above the nameplate of the shock strut (Fig. 702).
 - 1) Install the block assembly and bracket during the following clamp (85) installation as shown in CMM 32-11-57.
 - 2) Clean the painted surface of the shock strut as shown in (SOPM 20-30-03).
 - 3) Install one wrap of mylar tape (215A). Overlap the ends of the tape approximately one inch.
 - 4) Install the clamps (65) over the wire harness assemblies (220, 265).
 - 5) Install the clips (60), the clamp (85), the bolts (40), the blocks (55), the clamps (65) and the nuts (75). Be sure to turn the clamps (65) as shown in Fig. 702.
 - (d) Install the clamp (85) below the nameplate of the shock strut (Fig. 702).
 - 1) Install the block assembly and bracket during the following clamp (85) installation as shown in CMM 32-11-57.

32-11-28

ASSEMBLY
Page 704
Nov 01/00

01.1

**BOEING**
COMPONENT
MAINTENANCE MANUAL

- 2) Clean the painted surface of the shock strut (SOPM 20-30-03).
- 3) Install one wrap of mylar tape (215A). Overlap the ends of the tape approximately one inch.
- 4) Install the clamps (70) over the wire harness assemblies (220, 265).
- 5) Install the clips (60), the clamp (85), the bolts (40), the blocks (55), the support tube assembly (80), the clamps (70) and the nuts (75). Be sure to turn the clamps (70) as shown in Fig. 702.

CAUTION: THE CLAMPS (70) ON THE WIRE SUPPORT HARNESS (220) MUST BE TURNED TO KEEP CLEARANCE FROM THE SHOCK STRUT DOOR ASSEMBLY, BUT BE CAREFUL NOT TO BEND THE CONDUIT TOO MUCH.

- (e) Install the clamps (70) over the wire harness assembly (220, 265).
- (f) Install the clips (60), the bolts (40), the blocks (55), the support tube assembly (80), the clamps (70) and the nuts (75) onto the shock strut assembly.
- (g) Install the clamps (70) onto the support tube assembly (80) with the bolts (45), the washers (50) and the nuts (75).
- (h) Install the conduit guide (210) over the wire harness assemblies (220, 265).
- (i) Install the bracket (160) onto the shock strut assembly with the bolts (145), the washers (143) and the nuts (155).

32-11-28ASSEMBLY
Page 705
Nov 01/00

01.1

- (j) Install the conduit guide (210) onto the bracket (160) with the bolts (142), the washers (143) and the nuts (144).
- (k) Install the clamps (65) over the wire harness assemblies (220, 265) and install the clamps to the shock strut assembly with the clips (60), the bolts (40), the blocks (55) and the nut (75).
- (l) Install the clamps (95) around the wire harness assemblies (220, 265) and then install the clamps (95) onto the shock strut assembly with the screws (90).
- (m) Install the clamp block assembly (105).
 - 1) Install the clamp blocks (140) and the spacers (115) around the wire harness assemblies (220, 265).
 - 2) Put the clamp blocks (140) together with the screws (110), the washers (120) and the nuts (125).
 - 3) Install the bushings (130) through the channel (135) and into the clamp block (140).
- (n) Install the clamp block assembly (170).
 - 1) Install the support bracket (160) onto the shock strut assembly with the bolts (145), the washers (150) and the nuts (155).
 - 2) Install the clamp blocks (200, 205) around the wire harness assembly (220, 265) as shown in Fig. 702.
 - 3) Attach the clamp blocks (200, 205) to the support bracket (160) with the screws (175), the washers (180), the spacers (185), the channel (195) and the nuts (190).
- (o) Install the clamps (400) over the wire harness assemblies (220, 265) with the spacer (405), the screw (410), the washer (415) and the nut (420).

32-11-28

ASSEMBLY
Page 706
Nov 01/00

01.1

**BOEING**
COMPONENT
MAINTENANCE MANUAL

- (p) Install the clamps (100) over the wire harness assemblies (220, 265) and attach the clamps to the shock strut assembly with the screws (90).
 - (q) Install lockwire (SOPM 20-50-02) at the locations shown in Fig. 702.
- (4) Installation of the Truck Wire Provision Installation (IPL Fig. 4)
- (a) Clean the painted surfaces of the truck beam, where the clamps (105) will be located (SOPM 20-30-03). See Fig. 703 for the location of the clamps.
 - (b) Install one wrap of mylar tape (460A). Overlap the ends of the tape approximately one inch.
 - (c) Install the forward wire harness assembly (115).
 - 1) The conduit assemblies (CMM 32-10-53) will be attached to the clamps (105) with the clamps (15). To prepare for this, install the bolts (10) through the clamps (105) at the proper locations as shown in Fig. 703.
 - 2) Install the forward wire harness assembly (115) onto the truck beam with the clamps (105), the spacers (100), the bolts (85), the washers (90) and the nuts (95).
 - 3) Do not tighten the clamps (105) at this time. They will be tightened after the aft wire harness assembly (280) and the shield (110) are installed.
 - (d) Install the aft wire harness assembly (280) onto the truck beam with the clamps (105), the spacers (100), the bolts (85), the washers (90) and the nuts (95).
 - (e) Install the shield (110) onto the forward and aft wire harness assemblies (115, 280) with the screws (75) and the washers (80).

32-11-28ASSEMBLY
Page 707
Nov 01/00

01.1

- (f) Make sure that the forward and aft wire harness assemblies (115, 280), the spacers (100), the bolts (10) and the clamps (105) are in the correct positions.
- (g) Tighten the clamps (105).
- (h) Install the clamps (15) around the conduit assemblies (CMM 32-10-53) and install the clamps (15) onto the bolts (10) with the blocks (25), the clips (20) and the nuts (30).
- (i) Install the clamps (70) around the conduit assemblies (CMM 32-10-53) and install the clamps (70) with the screws (65).
- (j) Install the clamps (50) around the conduit assembly (CMM 32-10-53) and install the clamps (50) onto the shield (110) with the screw (45), the washer (55) and the nut (60).
- (k) Install the sensors (CMM 32-10-53) onto the sensor mechanism assemblies (CMM 32-11-36) with the nuts (40). See Fig. 703.
- (l) Lockwire the locknut of the connector to the sensor bracket assembly (SOPM 20-50-02).
- (m) Install the electrical connector, located on the end of the elbows of the conduit assemblies (CMM 32-10-53) onto the threaded bushing in the tow fittings (CMM 32-11-36). See Fig. 703.
 - 1) For the elbow assembly at the forward tow fitting, lockwire the electrical connector to each of the forward tow fitting bolts (SOPM 20-50-02).
 - 2) For the elbow assembly at the aft tow fitting, lockwire the electrical connector to the threaded bushing (SOPM 20-50-02).
- (n) Connect the electrical connectors of the conduit assemblies (CMM 32-10-53) to the temperature sensors on the truck beam.

32-11-28

ASSEMBLY

01.1

Page 708

Nov 01/00

- (o) Lockwire the conduit fittings (SOPM 20-50-02) together at the locations shown in Fig. 703.
- (5) Wire provision installation on the shock strut (IPL Fig. 5, 7, 13).
- (a) Install catechism brackets on bracket X with their fasteners.
 - (b) Install fasteners at the indicated clamps on the shock strut outer cylinder.
 - (c) Install the wire harness on the shock strut outer cylinder with the clamps and related fasteners.
 - (d) Put the wire harness down the shock strut and out across the torsion links.
 - (e) Attach the wire harness at the upper pivot of the torsion link with the fasteners.
- (6) Wire provision installation on the shock strut and truck (IPL Fig. 6, 9 thru 12, 14, 16).
- (a) Install fasteners at the indicated clamps on the shock strut outer cylinder.
 - (b) Install the wire harness on the shock strut outer cylinder with the clamps and related fasteners.
 - (c) Put the wire harness down the shock strut and out across the torsion links.
 - (d) Attach the wire harness at the upper pivot of the torsion link with the fasteners.

32-11-28ASSEMBLY
Page 709
Jul 01/03

01.1

- (e) Install clamps and fasteners around the truck beam for the wire harness.
 - (f) Attach the wire harness along the truck and the brake rods.
 - (g) Connect the ends of the wire harness to the applicable sensors.
- (7) Wire provision installation on the side strut and drag strut (IPL Fig. 8)
- (a) Install brackets on the side strut and drag strut with the related fasteners.
 - (b) Attach the wire harness along the side strut and drag strut with the clamps and fasteners.
 - (c) Connect the lower ends of the wire harness to junction box J3 on the shock strut outer cylinder.
- (8) Wire provision installation on the torsion links (IPL Fig. 15)
- (a) Install brackets on the upper and lower torsion links with their fasteners.
 - (b) As applicable, install the hoses and wire harness in their blocks and clamps.

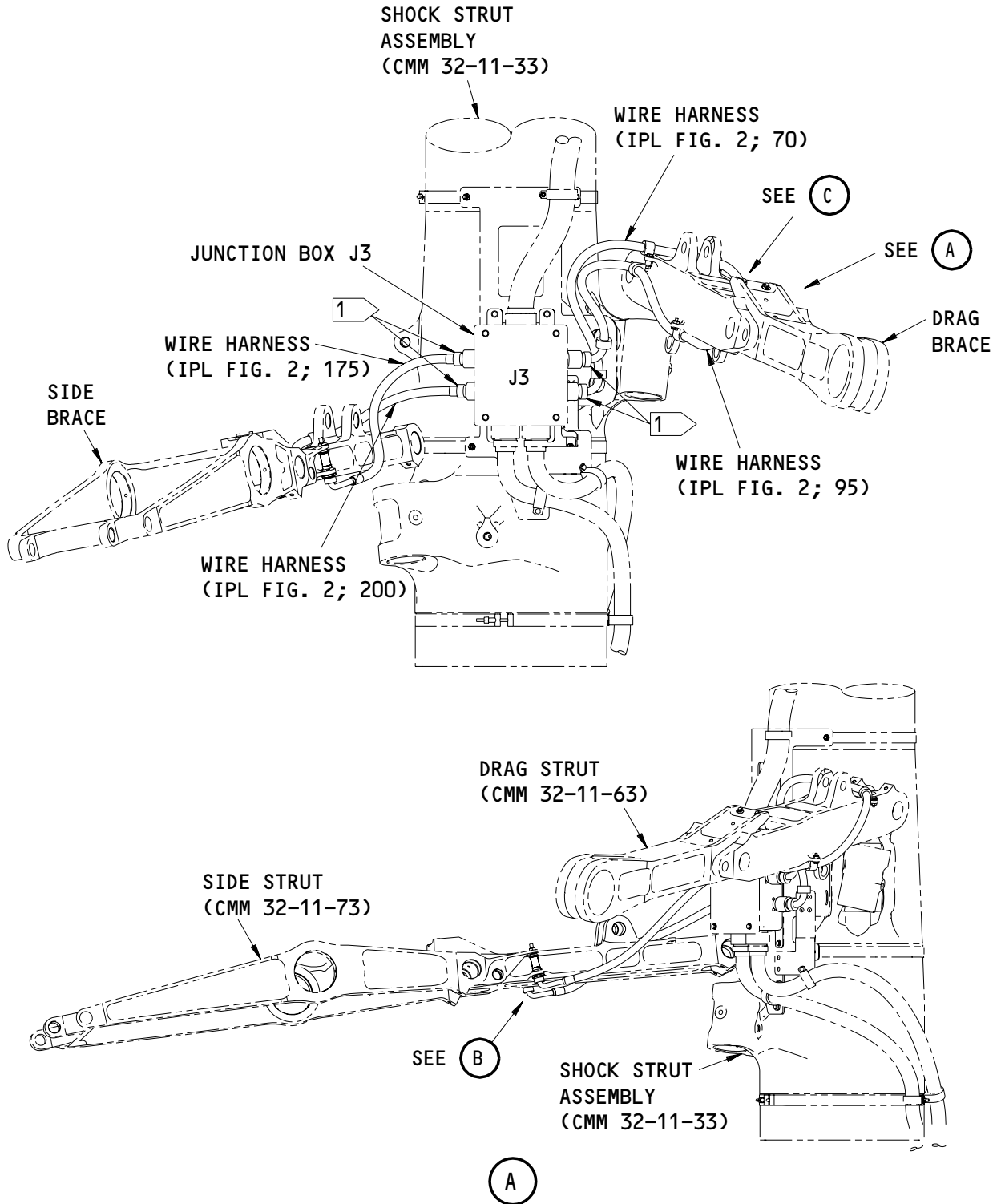
32-11-28

ASSEMBLY
Page 710
Nov 01/00

01.1

BOEING

COMPONENT
MAINTENANCE MANUAL



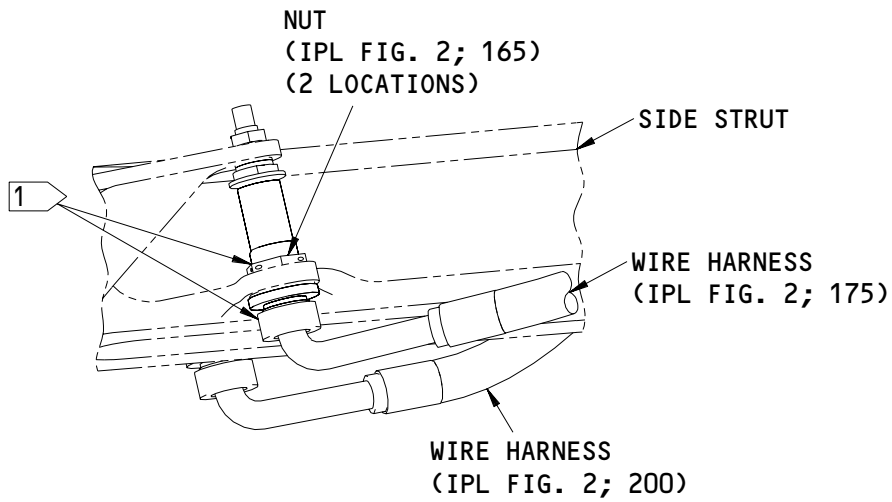
Rear Spar to Oleo, Side and Drag Brace Wire Provision Assembly
Figure 701 (Sheet 1)

32-11-28

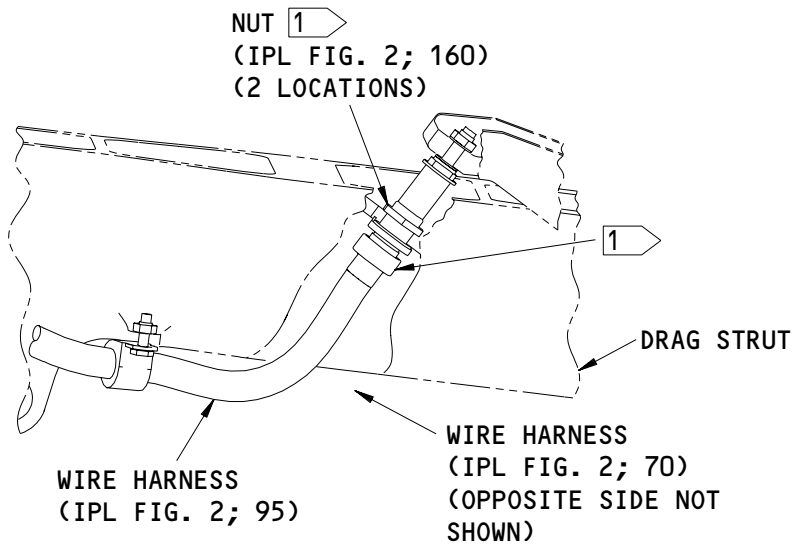
ASSEMBLY
Page 711
Nov 01/00

01.1

LO6641



(B)



(C)

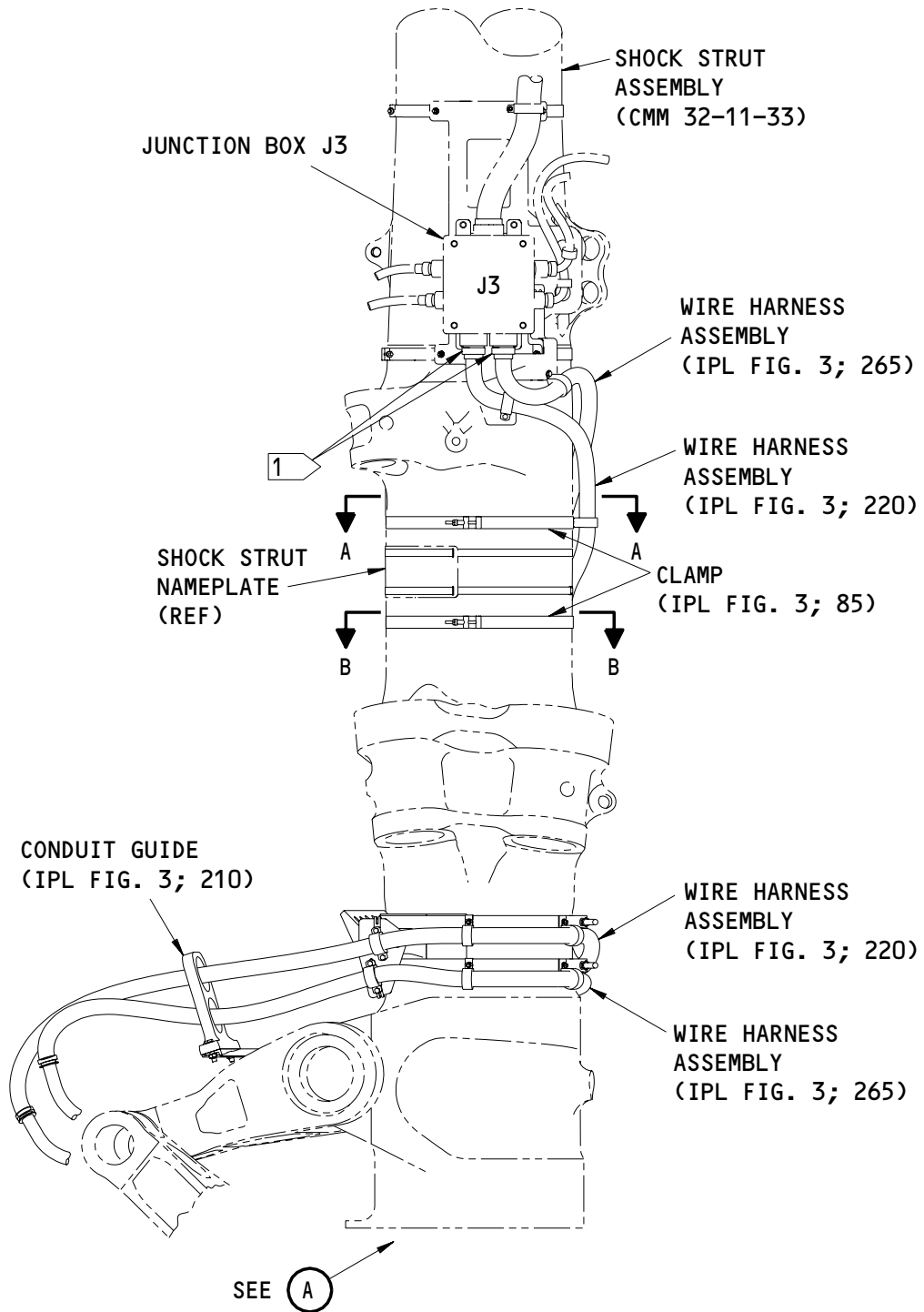
1 LOCKWIRE TOGETHER

Rear Spar to Oleo, Side and Drag Brace Wire Provision Assembly
 Figure 701 (Sheet 2)

32-11-28

ASSEMBLY
 Page 712
 Nov 01/00

01.1



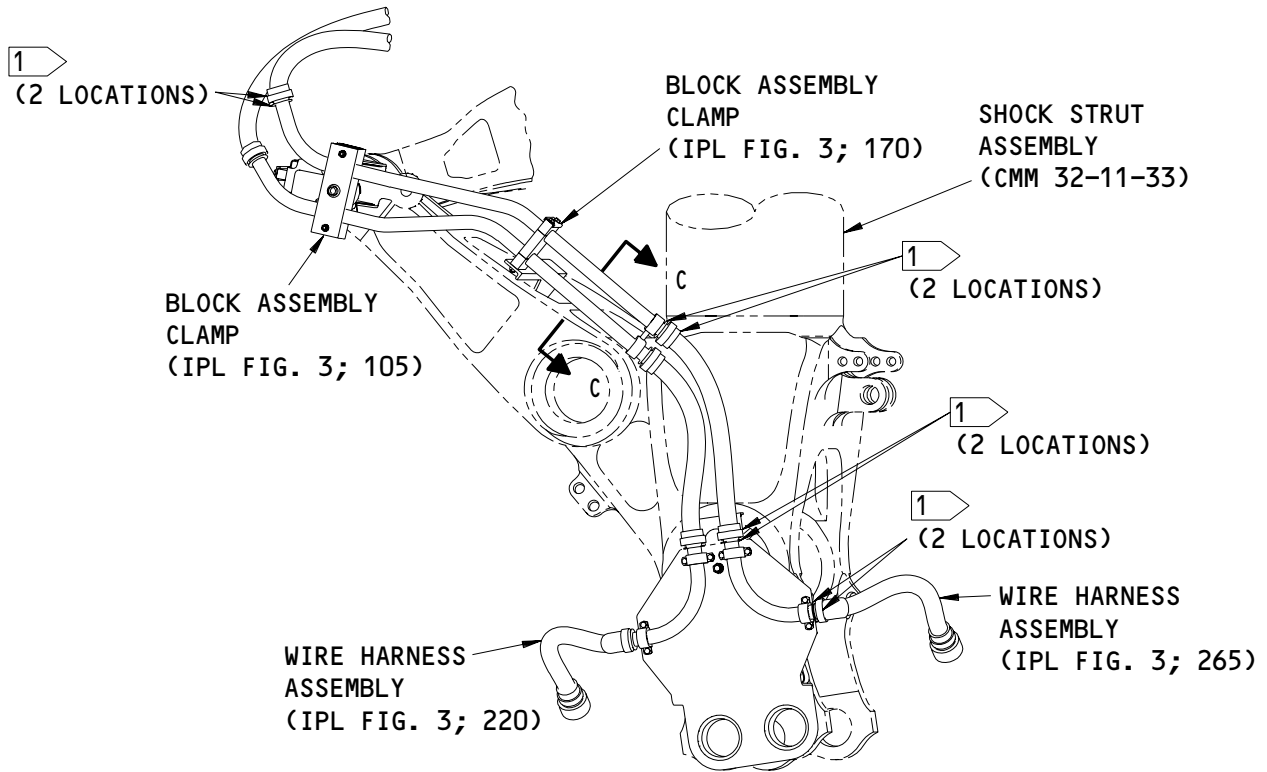
Oleo to Truck Wire Provision Assembly
Figure 702 (Sheet 1)

32-11-28

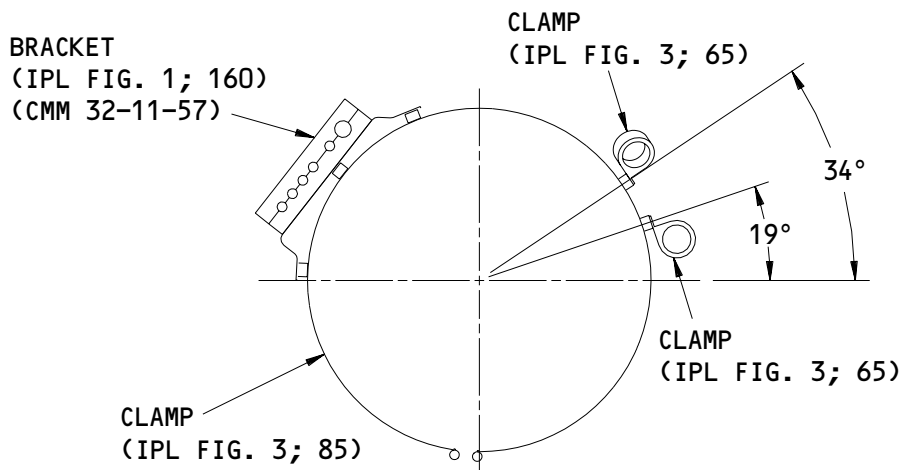
ASSEMBLY
Page 713
Nov 01/00

01.1

LO4820



A



A-A

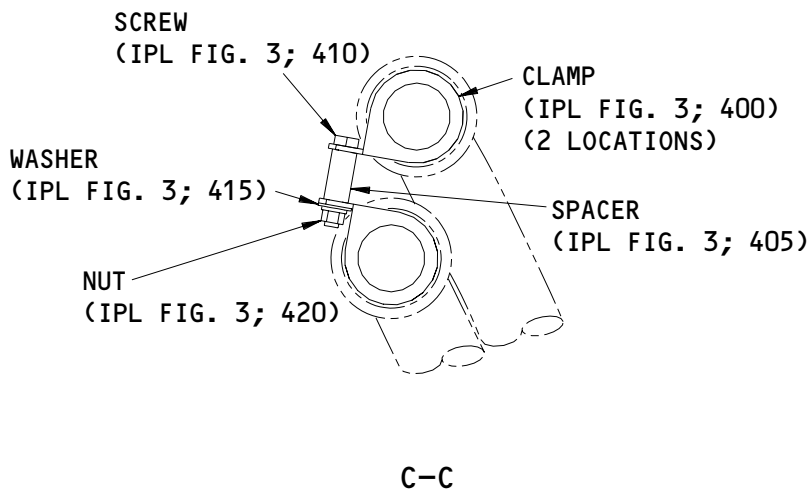
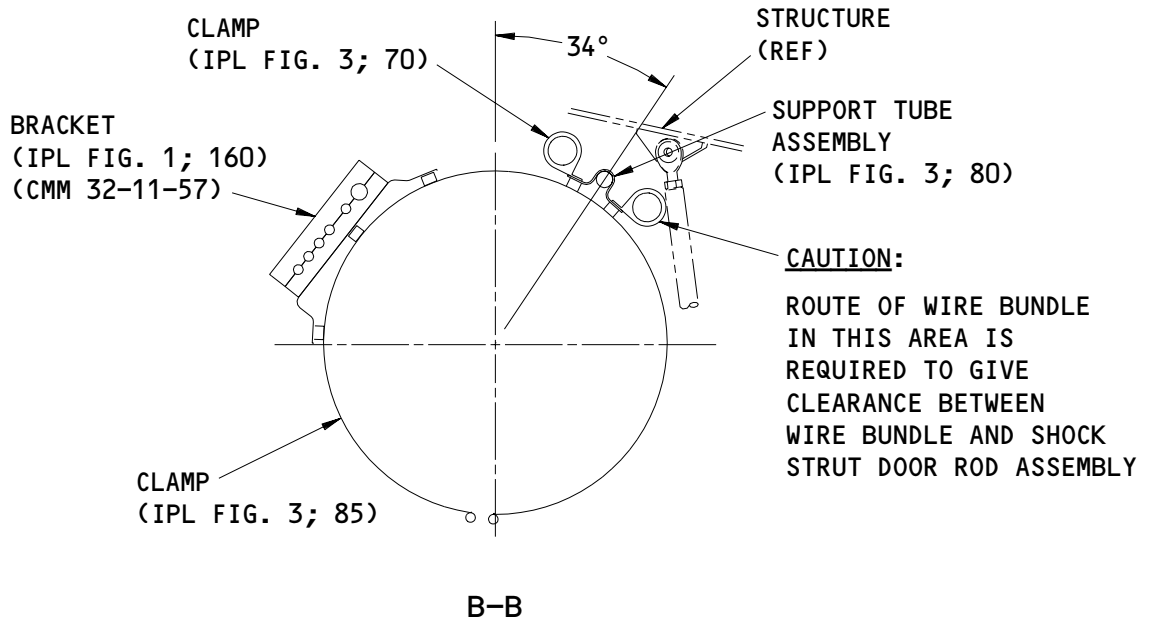
Oleo to Truck Wire Provision Assembly
 Figure 702 (Sheet 2)

32-11-28

ASSEMBLY
 Page 714
 Nov 01/00

01.1

LO4822



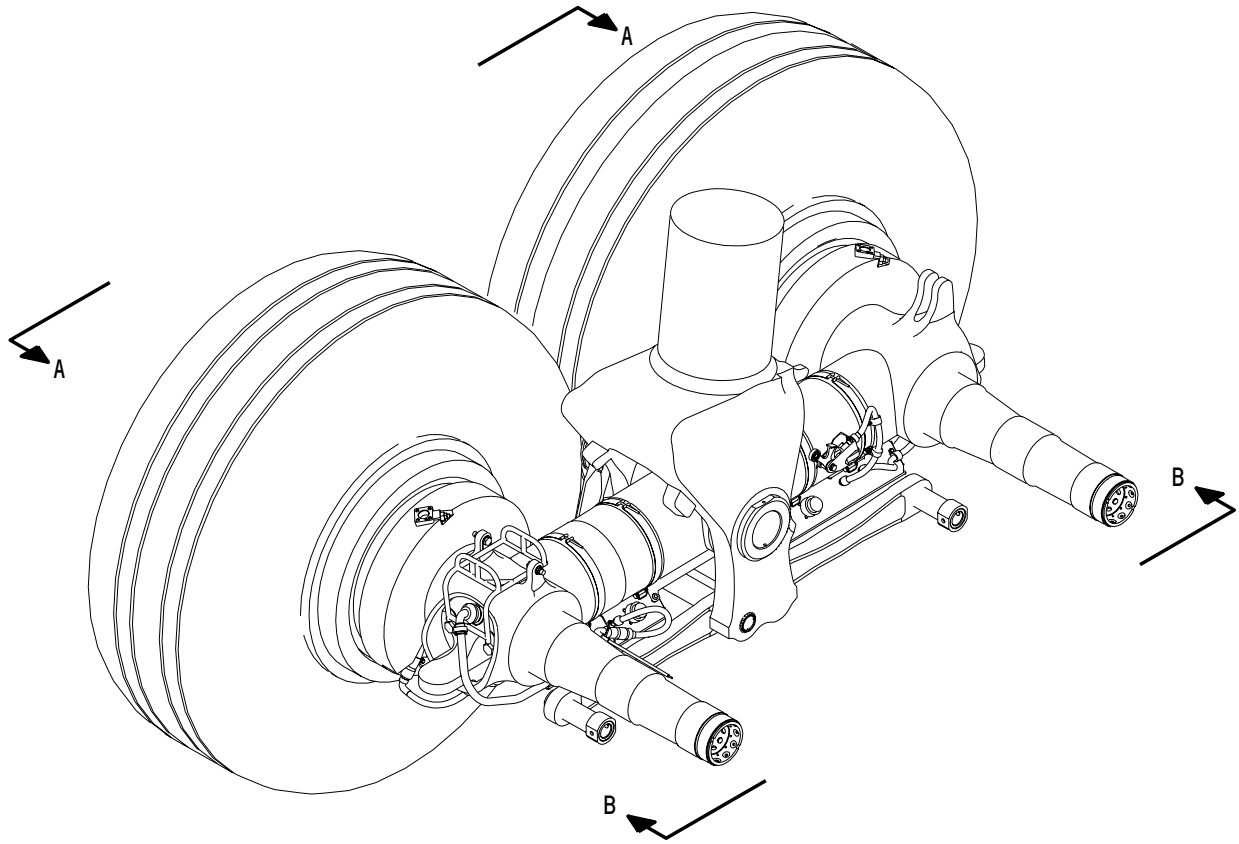
1 LOCKWIRE TOGETHER

Oleo to Truck Wire Provision Assembly
Figure 702 (Sheet 3)

32-11-28

ASSEMBLY
Page 715
Nov 01/00

01.1



Truck Wire Provision Assembly
Figure 703 (Sheet 1)

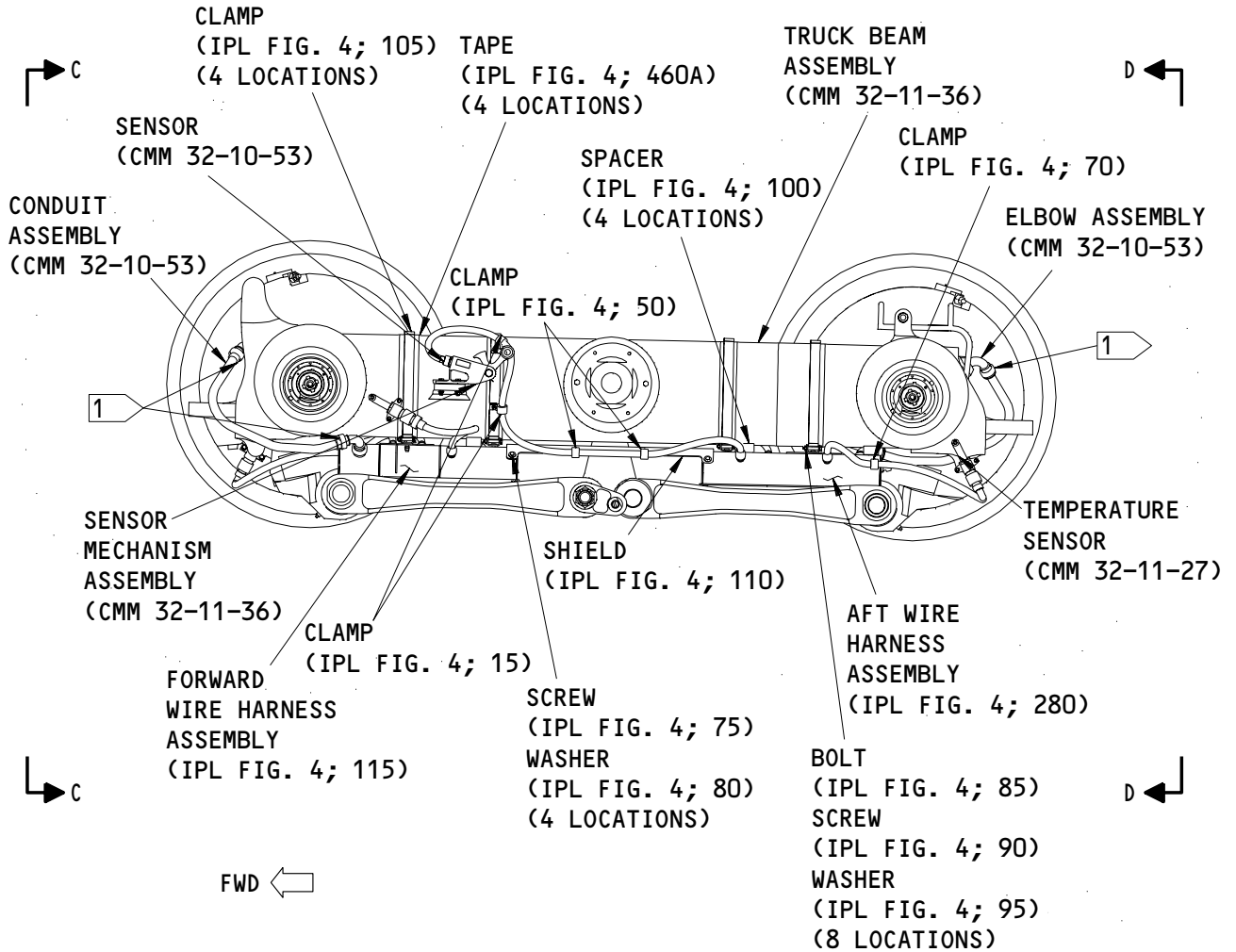
32-11-28

ASSEMBLY
Page 716
Nov 01/00

01.1

LO4825

BOEING
 COMPONENT
 MAINTENANCE MANUAL



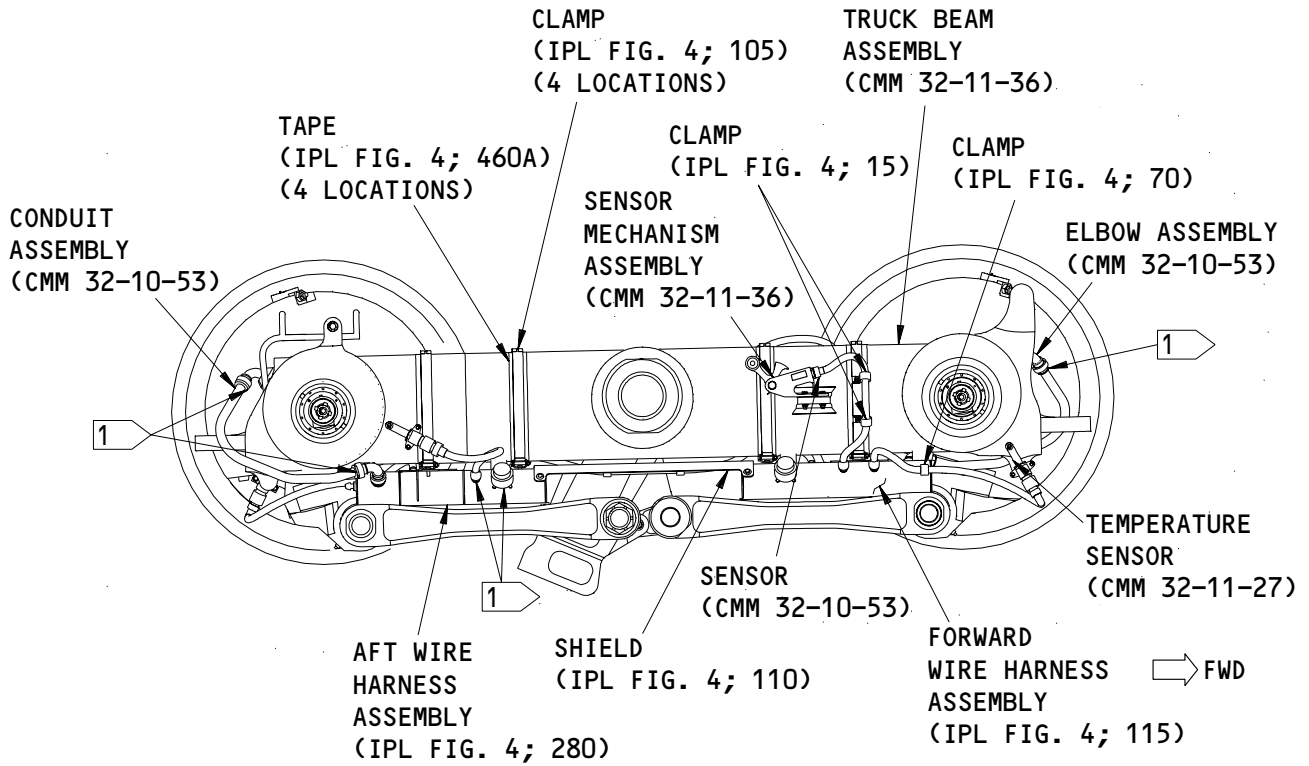
(WHEELS NOT SHOWN FOR CLARITY)
 A-A

Truck Wire Provision Assembly
 Figure 703 (Sheet 2)

32-11-28

ASSEMBLY
 Page 717
 Nov 01/00

01.1



(WHEELS NOT SHOWN FOR CLARITY)
 B-B

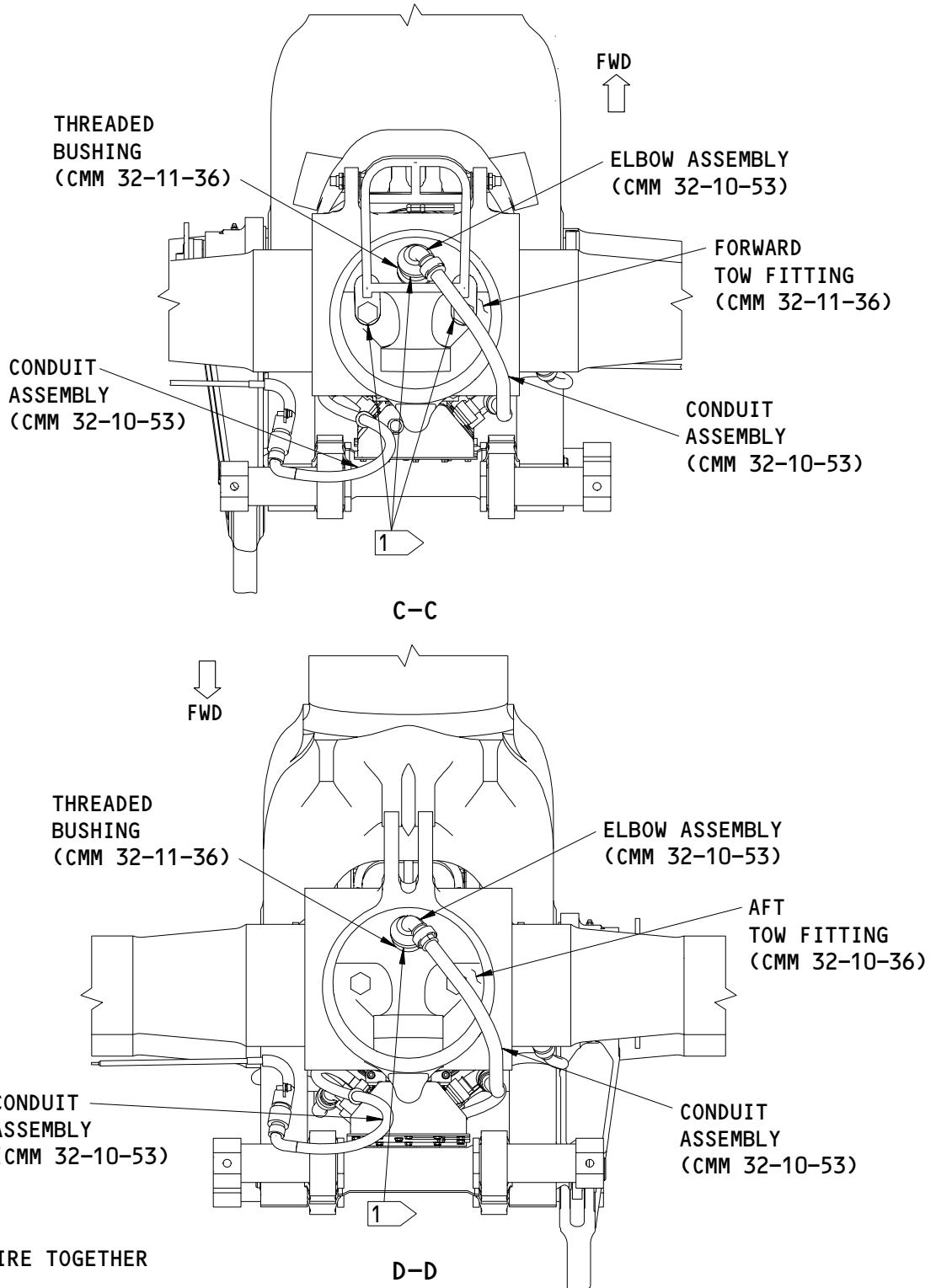
Truck Wire Provision Assembly
 Figure 703 (Sheet 3)

32-11-28

ASSEMBLY
 Page 718
 Nov 01/00

01.1

BOEING COMPONENT MAINTENANCE MANUAL



1 LOCKWIRE TOGETHER

Truck Wire Provision Assembly
Figure 703 (Sheet 4)

32-11-28

ASSEMBLY
Page 719
Nov 01/00

01.1

ILLUSTRATED PARTS LIST

1. This section lists and illustrates replaceable or repairable component parts. The Illustrated Parts Catalog contains a complete explanation of the Boeing part numbering system.

2. Indentures show parts relationships as follows:

Assembly

Detail Parts for Assembly

Subassembly

Attaching Parts for Subassembly

Detail Parts for Subassembly

Detail Installation Parts (Included only if installation parts may be returned to shop as part of assembly)

3. One use code letter (A, B, C, etc.) is assigned in the EFF CODE column for each variation of top assembly. All listed parts are used on all top assemblies except when limitations are shown by use code letter opposite individual part entries.

4. Letter suffixes (alpha-variants) are added to item numbers for optional parts, Service Bulletin modification parts, configuration differences (Except left- and right-hand parts), product improvement parts, and parts added between two sequential item numbers. The alpha-variant is not shown on illustrations when appearance and location of all variants of the part is the same.

5. Service Bulletin modifications are shown by the notations PRE SB XXXX and POST SB XXXX.

A. When a new top assembly part number is assigned by Service Bulletin, the notations appear at the top assembly level only. The configuration differences at detail part level are then shown by use code letter.

B. When the top assembly part number is not changed by the Service Bulletin, the notations appear at the detail part level.

6. Parts Interchangeability

Optional
(OPT)

The parts are optional to and interchangeable with other parts having the same item number.

Supersedes, Superseded By
(SUPSDS, SUPSD BY)

The part supersedes and is not interchangeable with the original part.

Replaces, Replaced By
(REPLS, REPLD BY)

The part replaces and is interchangeable with, or is an alternate to, the original part.

32-11-28

ILLUSTRATED PARTS LIST

01 Page 1001

Mar 01/00

VENDORS

06710 LAMSON AND SESSIONS CO THE VALLEY-TODECO
12975 BRADLEY AVENUE
SYLMAR, CALIFORNIA 91342-3830
FORMERLY VALLEY BOLT CORP VB0097 IN NORTH HOLLYWOOD, CA

09455 RBC TRANSPORT DYNAMICS CORP
3131 W SEGERSTROM AVE
SANTA ANA, CALIFORNIA 92704-5872
FORMERLY TRANSPORT DYNAMICS AEROSPACE DIV; FABROID DIV
TRANSPORT DYNAMICS V17571 & LEAR SEIGLER INC TRANSPORT DIV
V98076; FORMERLY BFM TRANSPORT DYNAMICS

11815 CHERRY AEROSPACE FASTENERS DIV OF TEXTRON
1224 EAST WARNER AVENUE PO BOX 2157
SANTA ANA, CALIFORNIA 92707-0157
FORMERLY IN LOS ANGELES, CALIF , FORMERLY CHERRY FASTENERS
TOWNSEND DIV OF TEXTRON INC V71087

14242 VOSS INDUSTRIES INC
2168 WEST 25TH STREET
CLEVELAND, OHIO 44113-4115

15653 FAIRCHILD FASTENERS KAYNAR PRODUCTS DIV
800 S STATE COLLEGE BLVD
FULLERTON, CALIFORNIA 92831-3001
FORMERLY VK6405 MICRODOT AEROSP LTD; FORMERLY KAYNAR TECH
KAYNAR DIV

18076 UMPCO, INCORPORATED
7100 LAMPSON AVENUE PO BOX 5158
GARDEN GROVE, CALIFORNIA 92645
FORMERLY IN CITY OF INDUSTRY, CALIFORNIA

22175 J AND M PRODUCTS INC.
2435 NORTH NAOMI
BURBANK, CALIFORNIA 91504-3425

26066 MINNESOTA MINING & MFG CO INDUSTRIAL TAPE DIVISION
3M CENTER
ST. PAUL, MINNESOTA 55144-1000

52828 REPUBLIC FASTENER MFG CORP
1300 RANCHO CONEJO BLVD
NEWBURY PARK, CALIFORNIA 91320-1405
FORMERLY IN SYLMAR, CALIFORNIA

32-11-28

ILLUSTRATED PARTS LIST
01.1 Page 1002
Jul 01/03


BOEING
 COMPONENT
 MAINTENANCE MANUAL
VENDORS

62554 SIMMONDS MECAERO FASTENERS INC
 1734 SEQUOIA AVENUE
 ORANGE, CALIFORNIA 92668

72285 EXACTO IND INC SEE V83930

72962 HARVARD INDUSTRIES INC
 3 WERNER WAY SUITE 210
 LEBANON, NEW JERSEY 08833
 FORMERLY AMERACE CORP ESNA DIV
 FORMERLY ELASTIC STOP NUT IN UNION, NJ

77896 REXNORD INC BEARING OPERATION
 2400 CURTIS STREET
 DOWNERS GROVE, ILLINOIS 60515-4005
 FORMERLY SHAEFER BEARING DIV REX CHAINBELT
 FORMERLY REX CHAINBELT INC BEARING DIV.

8W928 AEROQUIP CORP AEROSPACE DIV TOCCOA PLANT
 MEADOWBROOK INDUSTRIAL PK PO BOX 819
 TOCCOA, GEORGIA 30577-0819

80539 SPS TECHNOLOGIES INC AEROSPACE PRODUCTS DIV
 2701 SOUTH HARBOR BOULEVARD PO BOX 1259
 SANTA ANA, CALIFORNIA 92702-1259
 FORMERLY NUTT-SHEL DIV OF SPC WESTERN CO V80539
 AND STANDARD PRESSED STEEL WESTERN DIV V17279

81205 BOEING CO THE
 7755 EAST MARGINAL WAY PO BOX 3707
 SEATTLE, WASHINGTON 98124

83930 ADEL WIGGINS GROUP
 5000 TRIGGS STREET
 LOS ANGELES, CALIFORNIA 90022
 FORMERLY ADEL PROD DIV OF DELAVAL TURBINE CALIF INC;
 FORMERLY EXACTO IND V72285; FORMERLY DELAVAL ADEL FSTN DIV
 FORMERLY TRANSAMERICA DELAVAL ADEL FTNRS DIV; FORMERLY IMO
 DELAVAL IN HUNTINGTON, WV

32-11-28

 ILLUSTRATED PARTS LIST
 01.1 Page 1003
 Jul 01/03

VENDORS

84971 TA MFG CO SUB OF ESTERLINE
28065 W FRANKLIN PKY
VALENCIA, CALIFORNIA 91355
FORMERLY IN LA, CALIF; SUB OF CRITON CORP, GLENDALE, CALIF

88301 MYSTIK TAPE CORP
CHICAGO, ILLINOIS 60619
OBSOLETE RECORD LOCATION UNKNOWN

92215 FAIRCHILD IND INC FAIRCHILD AEROSPACE FASTENER DIV
3010 W LOMITA BLVD
TORRANCE, CALIFORNIA 90505-5102
FORMERLY VOI-SHAN IN CULVER CITY, CALIF

94581 NATIONAL UTILITIES CORP/NUCO
1700 HICKORY DRIVE PO BOX 14639
FORT WORTH, TEXAS 76117-6020
FORMERLY IN MONROVIA, CALIFORNIA; FORMERLY V2D588

97393 SHUR-LOK CORPORATION
2541 WHITE ROAD PO BOX 19584
IRVINE, CALIFORNIA 92713
FORMERLY SHUR LOK CORP VB0060
FORMERLY IN SANTA ANA, CALIFORNIA 92714

32-11-28

ILLUSTRATED PARTS LIST
01.1 Page 1004
Jul 01/03

REFERENCE DESIGNATOR INDEX (SEE SCHEMATIC DIAGRAM)		
REFERENCE DESIGNATOR	PART NUMBER	FIG-ITEM
J1 J3	287T6115-4001 287T6104-4001	1-35 235

32-11-28ILLUSTRATED PARTS LIST
01.1 Page 1005
Jul 01/03

PART NUMBER	AIRLINE PART NO.	FIG.	ITEM	TTL REQ
AN960-3		9	190	1
		10	175	1
AN960-8		13	95	1
AN970-3		6	110	1
		11	170A	1
		12	110	1
AN970-6		8	130	1
AN970-8		5	135	1
		7	25	1
BACB10F10		5	65	2
BACB10YR3CM		10	130A	4
BACB12F12S		4	25	4
BACB15F10		7	75	3
		13	47	2
BACB19F10		5	95	5
		6	60	4
		6	85	4
		6	225	4
		7	70	1
		9	40	1
		9	90	4
		9	252	1
		10	40	1
		10	85	4
		10	87	1
		11	40	5
		11	42	1
		11	80	4
		12	60	4
12	85	4		
13	45	1		
14	15	1		
BACB19F10S		1	175	2
		3	55	8
		16	75	5
BACB28AK06-028		1	85	1
BACB28X6M010		8	135	1

32-11-28

 ILLUSTRATED PARTS LIST
 01.1 Page 1006
 Jul 01/03


BOEING
 COMPONENT
 MAINTENANCE MANUAL

PART NUMBER	AIRLINE PART NO.	FIG.	ITEM	TTL REQ
BACB28X9M009		3	130	2
		16	235	2
BACB28Z3-012		1	30	6
BACB30NM3K11		2	15	1
BACB30NM3K2		4	10	4
BACB30NM3K3		1	165	2
		1	205	1
BACB30NM3K4		1	141	1
		1	150	2
BACB30NM3K5		3	40	8
		16	55	4
		2	10	3
BACB30NM4K12		2	120	1
		16	60	4
		3	145	4
BACB30NM5K14		16	130	4
		3	142	2
BACB30NR5K11		1	115A	2
BACB30PW4HP18		4	85	8
BACC10DM25		5	30A	2
		13	140	2
BACC10ET080-038		10	135	2
		12	195	2
BACC10FY081SE		6	245	2
		9	145	1
		10	140	2
		10	142	1
		11	135	2
		11	137	1
BACC10FY101SE		6	70	1
		7	95	1
		9	125	1
		10	120	1
		11	115	1
		12	70	1
BACC10FY102SE		9	125A	1
		10	120A	1
		11	115A	1
BACC10FY114SE		1	200	1
BACC10FY116SE		6	100	2
		9	105	2
		10	100	2
		11	95	2
		12	100	2

32-11-28

 ILLUSTRATED PARTS LIST
 01.1 Page 1007
 Jul 01/03

PART NUMBER	AIRLINE PART NO.	FIG.	ITEM	TTL REQ
BACC10FY127SE		3	85	2
		16	280	2
BACC10GE10		9	60	7
		9	65	11
		9	66	1
BACC10GE10		12	220	16
		14	45A	4
		14	400A	1
		15	365A	2
		15	365	2
BACC10GE12		5	145	2
		6	255	17
		7	125	2
		9	70	10
		10	65	18
		11	60	18
		13	145	2
		14	45	4
		14	400	2
		15	365	2
		15	365	2
BACC10GE14C		3	72	2
		16	125	2
BACC10GE17A		3	15	1
		3	70	8
		3	95	2
		16	50	4
		16	95	5
BACC10GE17C		3	65	6
		16	100	3
BACC10GE20		5	80	5
		7	130	5
BACC10GE25		5	80A	5
		13	150	5

32-11-28

 ILLUSTRATED PARTS LIST
 01.1 Page 1008
 Jul 01/03


BOEING
 COMPONENT
 MAINTENANCE MANUAL

PART NUMBER	AIRLINE PART NO.	FIG.	ITEM	TTL REQ
BACC10GE27		1	215	1
BACC10GE7		6	155	5
		6	235	4
		8	20	15
		9	55	2
		9	80	3
		9	256	1
		10	55	2
		10	75	8
		10	77	1
		11	55	2
		11	57	1
		11	70	7
		12	155	5
BACC10GE9A		2	35	5
		2	135	1
BACC10GE9C		4	15	4
		4	50	2
BACC10GE9C		4	70	2
BACC10GF20C		5	30	2
		7	150	2
BACC10HT14		3	100	4
		16	45	4
BACC10HT17		3	35	1
		16	40	6

32-11-28

ILLUSTRATED PARTS LIST

01.1

Page 1009

Jul 01/03

PART NUMBER	AIRLINE PART NO.	FIG.	ITEM	TTL REQ
BACC10HT27		1	145	1
		1	190	1
BACC15AN10		1	170	2
		3	60	8
		5	70	8
		6	65	5
		6	90	4
		6	230	4
		7	80	4
		9	45	1
		9	95	4
		9	115	1
		9	253	1
		10	45	1
		10	90	4
		10	92	1
		10	110	1
		11	45	5
		11	47	1
		11	85	4
		11	105	1
		12	65	4
12	90	4		
13	50	4		
14	20	1		
16	80	5		
BACC15AN12		4	20	4
BACN10JA4		14	210	4
		14	280	4
		14	330	8
		15	150	4
		15	200	8
BACN10JC3CD		15	275	4
		1	143	1
		1	185	2
		2	25	4
		2	130	1
BACN10JC3CD		3	30	2
		3	125	2
		3	190	2
		16	30	6
		16	180	2
		16	230	2

32-11-28

 ILLUSTRATED PARTS LIST
 01.1 Page 1010
 Jul 01/03


BOEING
 COMPONENT
 MAINTENANCE MANUAL

PART NUMBER	AIRLINE PART NO.	FIG.	ITEM	TTL REQ
BACN10JC3CM		4	60	2
		4	95	4
		6	207	2
		11	237	4
BACN10JC4CD		1	102	2
		2	50	2
		2	150	2
		3	155	4
		14	60	1
		15	60	1
		16	140	8
BACN10JC4CM		1	122	2
BACN10JC5CD		3	144	2
BACN10JC6CD		1	95	1
BACN10JN3CM		1	50	6
BACN10JP3A		1	52	6
		6	122	1
		8	65	3
		9	245	1
		10	230	1
		11	225	1
		12	123A	1
BACN10JP3B		5	50	2
		13	165	2
BACN10JR5CFD		1	128	2
BACN10KA3A		5	125	2
		7	45	2
		13	85	2
BACN10KB3		5	50A	2
		8	70	2
		13	165A	2
BACN10YR3CD		1	160	2
		3	75	12
		3	77	1
		4	30	4
		16	35	4
		16	70	8
		16	120	1

32-11-28

 ILLUSTRATED PARTS LIST
 01.1 Page 1011
 Jul 01/03

PART NUMBER	AIRLINE PART NO.	FIG.	ITEM	TTL REQ
BACN10YR3CM		9	52	2
		9	254	1
BACN10YR3CM		10	50A	10
		10	95A	4
		10	97	1
		10	115A	1
		10	155A	2
		10	185A	1
		11	50B	10
		11	52	1
		11	90A	4
		11	110A	1
		11	125A	4
		11	150A	2
		11	180A	1
		11	190A	1
BACN10YR4CM		6	123	2
BACN15BA3AD		5	45	4
BACR15BA3AD		5	120	4
		7	40	4
		8	60	10
		9	240	2
		10	225	2
		11	220	2
		12	122A	2
		13	80	4
		13	160	4
		14	205	8
		14	275	8
		14	325	16
		15	145	8
		15	195	16
		15	270	8
BACR15BA4ADC		1	126	4
BACR15BA5AD		14	180	6
		14	250	6
		15	125	6
		15	250	6
BACR15BA6ADC		1	132	6
BACR15CE3M3R		1	45	12
BACS12GU3K12		1	220	4
BACS12GU3K17		3	47	1
		16	105	1

32-11-28

 ILLUSTRATED PARTS LIST
 01.1 Page 1012
 Jul 01/03


BOEING
 COMPONENT
 MAINTENANCE MANUAL

PART NUMBER	AIRLINE PART NO.	FIG.	ITEM	TTL REQ
BACS12GU3K40		3	110	2
		16	215	2
BACS12GU3K5		3	20	2
BACS12GU3K65		3	175	2
BACS12GU3K68		16	160	2
BACS12GU3K7		3	45	4
		16	15	8
BACS12GU3K8		1	140	2
		3	90	10
		16	20	8
BACS12GU3K9		3	10	1
		16	10	8
BACS12GU6K13		1	65	1
BACS30FD1-7		2	140	2
BACS30FD1-8		2	40	2
BACS40U4N1A		2	155	4
BACS40U4N3A		2	55	2
		2	160	2
BACW10BP6DP		1	70	1
BACW10BP9DP		1	75	1
BACW10P378L		1	80	1
BACW10P399CD		1	114	2
BAC27TEX1137		2	225	1
BAC27TEX1138		2	230	1
BAC27TEX1139		2	235	1
BAC27TEX1140		2	240	1
BAC27TEX1141		2	245	1
BAC27TEX1142		2	250	1
BAC27TEX1143		2	255	1
BAC27TEX1144		2	260	1
BAC27TEX1188		4	470	1
BAC27TEX1189		4	480	1
BAC27TEX1190		4	465	1
BAC27TEX1191		4	475	1
BCREF116069		6	195	2
		9	140	2
		10	135	2
		11	130	2
		12	195	2

32-11-28

 ILLUSTRATED PARTS LIST
 01.1 Page 1013
 Jul 01/03

PART NUMBER	AIRLINE PART NO.	FIG.	ITEM	TTL REQ
BCREF16099 BC1083-081SE		4	105	4
		6	245	2
		9	145	1
		10	140	2
		10	142	1
		11	135	2
		11	137	1
BC1083-101SE		6	70	1
		7	95	1
		9	125	1
		10	120	1
		11	115	1
BC1083-102SE		12	70	1
		9	125A	1
		10	120A	1
		11	115A	1
BC1083-114SE		1	200	1
BC1083-116SE		6	100	2
		9	105	2
		10	100	2
		11	95	2
		12	100	2
BC1083-127SE		3	85	2
		16	280	2
BRFM20C3M		1	50	6
		1	52	6
BRF110A4		14	210	4
		14	280	4
		14	330	8
		15	150	4
		15	200	8
		15	275	4

32-11-28

 ILLUSTRATED PARTS LIST
 01.1 Page 1014
 Jul 01/03


BOEING
 COMPONENT
 MAINTENANCE MANUAL

PART NUMBER	AIRLINE PART NO.	FIG.	ITEM	TTL REQ
BRF170A4		14	210	4
		14	280	4
		14	330	8
		15	150	4
		15	200	8
		15	275	4
BRF200C5D		1	128	2
BRH10C3D		1	143	1
		1	185	2
		2	25	4
		2	130	1
		3	30	2
		3	125	2
		3	190	2
		16	30	6
		16	180	2
		16	230	2
	BRH10C3M		4	60
		4	95	4
		6	207	2
BRH10C3M		11	237	4
BRH10C4D		1	102	2
		2	50	2
		2	150	2
		3	155	4
		14	60	1
		15	60	1
		16	140	8
BRH10C4M		1	122	2
BRH10C5D		3	144	2
BRH10C6D		1	95	1
BRM100A3		5	50	2
		13	165	2

32-11-28

ILLUSTRATED PARTS LIST

01.1

Page 1015

Jul 01/03

PART NUMBER	AIRLINE PART NO.	FIG.	ITEM	TTL REQ
BRM200A3		6	122	1
		8	65	3
		9	245	1
		10	230	1
		11	225	1
		12	123A	1
BR1000A3		5	50A	2
		8	70	2
		13	165A	2
F177-4		14	210	4
		14	280	4
		14	330	8
		15	150	4
		15	200	8
		15	275	4
F2400-4		14	210	4
		14	280	4
		14	330	8
		15	150	4
		15	200	8
		15	275	4
H01-3BAC		4	60	2
		4	95	4
		6	207	2
		11	237	4
H01-4BAC		1	122	2
H51650-3BAC		1	143	1
		1	185	2
		2	25	4
		2	130	1
		3	30	2
		3	125	2
H51650-3BAC		3	190	2
		16	30	6
		16	180	2
		16	230	2
H51650-4BAC		1	102	2
		2	50	2
		2	150	2
		3	155	4
		14	60	1
		15	60	1
		16	140	8

32-11-28

 ILLUSTRATED PARTS LIST
 01.1 Page 1016
 Jul 01/03


BOEING
 COMPONENT
 MAINTENANCE MANUAL

PART NUMBER	AIRLINE PART NO.	FIG.	ITEM	TTL REQ
H51650-5BAC		3	144	2
H51650-6BAC		1	95	1
H52732-3CD		1	160	2
		3	75	12
		3	77	1
		4	30	4
		16	35	4
		16	70	8
		16	120	1
H52732-3CM		9	52	2
		9	254	1
		10	50A	10
		10	95A	4
		10	97	1
		10	115A	1
		10	155A	2
		10	185A	1
		11	50B	10
		11	52	1
		11	90A	4
		11	110A	1
		11	125A	4
		11	150A	2
		11	180A	1
H52732-4CM		11	190A	1
JM44LC13WD17R		3	15	1
		3	70	8
		3	95	2
		16	50	4
		16	95	5
JM44LC13WD9R		2	35	5
		2	135	1
JM44LC13WH14R		3	72	2
		16	125	2
JM44LC13WH17R		3	65	6
		16	100	3
JM44LC13WH9R		4	15	4
		4	50	2
		4	70	2
JM44LC13WS10R		9	60	7
		9	65	11
		9	66	1
		12	220	16
		14	45A	4
		14	400A	1
		15	365A	2

32-11-28

 ILLUSTRATED PARTS LIST
 01.1 Page 1017
 Jul 01/03

PART NUMBER	AIRLINE PART NO.	FIG.	ITEM	TTL REQ	
JM44LC13WS12R		5	145	2	
		6	255	17	
		7	125	2	
		9	70	10	
		10	65	18	
		11	60	18	
		13	145	2	
		14	45	4	
		14	400	2	
		15	365	2	
	JM44LC13WS20R		5	80	5
			7	130	5
	JM44LC13WS25R		5	80A	5
			13	150	5
	JM44LC13WS27R		1	215	1
JM44LC13WS7R		6	155	5	
	6	235	4		
	8	20	15		
	9	55	2		
	9	80	3		
	9	256	1		
	10	55	2		
	10	75	8		
	10	77	1		
	11	55	2		
	11	57	1		
	11	70	7		
K2000-3		12	155	5	
		5	50A	2	
		8	70	2	
K51602-5BAC		13	165A	2	
		1	128	2	
MF1001-3BAC		1	50	6	
MF1001-3BAC		1	52	6	
MF53050-3DL		1	50	6	
MK1000-3BAC		1	52	6	
		6	122	1	
		8	65	3	
		9	245	1	
		10	230	1	
		11	225	1	
		12	123A	1	

32-11-28

 ILLUSTRATED PARTS LIST
 01.1 Page 1018
 Jul 01/03


BOEING
 COMPONENT
 MAINTENANCE MANUAL

PART NUMBER	AIRLINE PART NO.	FIG.	ITEM	TTL REQ
MK2000-3BAC		5	50	2
		13	165	2
MS2104L3		6	190	4
		12	190	4
MS21042L3		5	25	21
		6	75	18
		6	95	4
		6	120	1
		6	160	2
		6	175	2
		6	240	4
		7	85	9
		7	145	8
		8	25	7
		8	40	4
		8	100	2
		8	120	2
		9	50	11
		9	51	2
		9	100	4
		9	120	1
		9	135	4
		9	160	2
		9	200	1
10	50	10		
10	95	4		
10	115	1		
10	130	4		
10	155	2		
10	185	1		
11	50	15		
11	90	4		
11	110	1		
11	125	4		
11	150	2		
11	180	1		

32-11-28

ILLUSTRATED PARTS LIST

01.1

Page 1019

Jul 01/03

PART NUMBER	AIRLINE PART NO.	FIG.	ITEM	TTL REQ
MS21042L3		12	75	14
		12	95	4
		12	120	1
		12	160	2
		12	175	2
		13	55	9
		13	135	6
		14	25	1
		14	40	4
		14	85	6
		14	365	4
		14	395	1
		15	30	6
		15	320	4
		15	335	1
MS21042L4		6	135	1
		9	210	1
		10	195	1
		11	190	1
		12	135	1
MS21340-25		2	60	2
		2	165	4
		4	40	2
MS25081-6		2	65	2
		2	170	2
		4	35	2
NAS1149D0316J		3	120	2
		3	180	4
		16	165	2
NAS1149D0332J		16	220	2
		1	142	3
		1	155	2
		1	180	2
		1	210	1
		1	225	4
		2	20	3
		2	125	1
		3	25	2
		3	50	4
		3	52	1
		5	20	2
		8	35	4
		8	115	2
	13	130	2	
	14	360	4	

32-11-28

 ILLUSTRATED PARTS LIST
 01.1 Page 1020
 Jul 01/03


BOEING
 COMPONENT
 MAINTENANCE MANUAL

PART NUMBER	AIRLINE PART NO.	FIG.	ITEM	TTL REQ
NAS1149D0332J		15	315	4
		16	25	10
		16	65	5
		16	110	1
NAS1149D0363J		6	50	6
		9	35	4
		10	35	6
		11	35	4
		12	50	8
		14	390	2
		15	330	2
		16	170	2
NAS1149D0432J		2	45	2
		2	145	2
		3	150	8
		16	135	12
NAS1149D0463J		14	95	5
		15	45	5
		3	143	4
NAS1149D0532J		3	143	4
NAS1149D0632J		1	90	1
NAS1149E0332R		1	25	6
		4	55	2
		4	67	2
		4	90	8
NAS1149E0416P		1	104	2
NAS1149E0432R		1	120A	2
NAS1149E1165R		4	80	4
NAS1200-3		1	47	12
NAS1399D4A2		14	120	28
		14	150	28
		15	95	28
		15	220	28

32-11-28

 ILLUSTRATED PARTS LIST
 01.1 Page 1021
 Jul 01/03

PART NUMBER	AIRLINE PART NO.	FIG.	ITEM	TTL REQ
NAS1801-3-10		6	45	1
		10	25	1
		12	45	1
		14	385	1
		15	325	1
NAS1801-3-19		8	30	4
NAS1801-3-55		8	110	2
NAS1801-3-6		5	60	2
		6	30	5
		6	150	5
		7	60	3
		8	10	9
		9	20	4
		9	75	3
		9	230	1
NAS1801-3-6		10	20	3
		10	70	3
		10	215	1
		11	20	4
		11	65	3
		11	210	1
		12	30	3
		12	150	5
		13	25	3
		14	30	2
		NAS1801-3-7		5
5	110			2
6	20			9
7	20			2
7	140			4
9	10			7
10	10			10
11	10			7
12	20			9
13	70			2
13	120			4
14	35			2

32-11-28

 ILLUSTRATED PARTS LIST
 01.1 Page 1022
 Jul 01/03


BOEING
 COMPONENT
 MAINTENANCE MANUAL

PART NUMBER	AIRLINE PART NO.	FIG.	ITEM	TTL REQ
NAS1801-3-8		5	10	6
		6	25	2
		6	105	1
		7	55	2
		7	135	4
		8	15	3
		8	95	2
		9	30	2
		9	185	1
		10	30	2
		10	170	1
		11	30	2
		11	165	1
NAS1802-3-07		12	25	2
		12	105	1
		13	20	2
NAS1802-3-10		13	125	4
		4	65A	2
NAS1802-3-7		4	75	4
		4	45	2
NAS42DD6-28FC		4	65	2
		5	90	1
		6	55	1
		7	90	1
NAS42DD6-36FC		12	55	1
		13	40	1
		14	80	6
NAS42DD6-92FC		15	25	6
		6	170	2
		9	155	2
		10	150	2
NAS42DD8-36FC		11	145	2
		12	170	2
		15	55	3
NAS43DD3-128FC		3	115	2
		16	225	2
NAS43DD3-13FC		1	230	4
		2	30	1
NAS43DD3-19FC		8	125	2
		3	185	2
NAS43DD3-192FC		16	175	2
		3	57	1
NAS43DD3-219FC		16	175	2
		3	57	1
NAS43DD3-241FC		16	175	2
		3	57	1
NAS43DD3-42FC		16	115	1

32-11-28

 ILLUSTRATED PARTS LIST
 01.1 Page 1023
 Jul 01/03

PART NUMBER	AIRLINE PART NO.	FIG.	ITEM	TTL REQ
NAS44DD8-36FC		14	55	3
NAS514P1032		14	355	4
NAS514P1032-10P		15	310	4
NAS6603-10		5	85	1
		6	40	1
		12	40	1
		13	35	1
NAS6603-15		6	185	4
		9	130	4
		10	125	4
		11	120	4
		12	185	4
NAS6603-3		5	75	7
		6	35	4
		6	80	4
		6	220	4
		7	65	4
		9	15	1
		9	85	4
		9	110	1
		9	251	1
		10	15	1
		10	80	4
NAS6603-3		10	105	1
		11	15	5
		11	17	1
		11	75	4
		11	100	1
		12	35	4
		12	80	4
		13	30	3
		14	10	1

32-11-28

 ILLUSTRATED PARTS LIST
 01.1 Page 1024
 Jul 01/03


BOEING
 COMPONENT
 MAINTENANCE MANUAL

PART NUMBER	AIRLINE PART NO.	FIG.	ITEM	TTL REQ
NAS6603-35		14	75	6
		15	20	6
NAS6603-64		6	165	2
		9	150	2
		10	145	2
		11	140	2
		12	165	2
		14	50	3
NAS6604-10		15	50	3
		14	90	5
NAS6604-3		15	40	5
		6	130	1
NAS6604-77		9	205	1
		10	190	1
		11	185	1
		12	130	1
		14	100	8
		15	65	8
NAS6604-9		6	200	4
		9	257	4
NAS6703-3		10	197	4
		11	236	4
		12	200	4
		1	20B	6
		6	115	1
		9	195	1
NAS6703PU3 NAS77-3-007		10	180	1
		11	175	1
		12	115	1
		5	140	1
		7	30	1
		13	100	1
NAS77A16-010P		6	70	1
		7	95	1
		9	125	1
		10	120	1
		11	115	1
		12	70	1
NE103338-101		6	70	1
		7	95	1
		9	125	1
		10	120	1
		11	115	1
		12	70	1

32-11-28

 ILLUSTRATED PARTS LIST
 01.1 Page 1025
 Jul 01/03

PART NUMBER	AIRLINE PART NO.	FIG.	ITEM	TTL REQ
NE103338-102		9	125A	1
		10	120A	1
		11	115A	1
NE103338-114		1	200	1
NE103338-116		6	100	2
		9	105	2
		10	100	2
		11	95	2
		12	100	2
		3	85	2
NE103338-127		16	280	2
NE103888-081		6	245	2
		9	145	1
		10	140	2
		10	142	1
		11	135	2
		11	137	1
NS103184-02		5	50A	2
		8	70	2
		13	165A	2
NS103197-02		6	122	1
		8	65	3
		9	245	1
		10	230	1
		11	225	1
		12	123A	1
NS103198-02		5	50	2
		13	165	2
NS103218SE02		1	50	6
		1	52	6
NS103226-02		5	125	2
		7	45	2
		13	85	2

32-11-28

 ILLUSTRATED PARTS LIST
 01.1 Page 1026
 Jul 01/03


BOEING
 COMPONENT
 MAINTENANCE MANUAL

PART NUMBER	AIRLINE PART NO.	FIG.	ITEM	TTL REQ	
NS202101SE02		4	60	2	
		4	95	4	
		6	207	2	
NS202476-054		11	237	4	
		1	128	2	
		1	143	1	
		1	185	2	
		2	25	4	
		2	130	1	
		3	30	2	
		3	125	2	
		3	190	2	
		16	30	6	
		16	180	2	
NS202486-02		16	230	2	
		1	102	2	
		2	50	2	
		2	150	2	
		3	155	4	
		14	60	1	
		15	60	1	
		16	140	8	
		1	160	2	
		3	75	12	
		3	77	1	
NS202486-048		4	30	4	
		16	35	4	
		16	70	8	
		16	120	1	
		9	52	2	
		9	254	1	
		10	50A	10	
		10	95A	4	
		10	97	1	
		10	115A	1	
		10	155A	2	
PLH53CD		10	185A	1	
		11	50B	10	
		11	52	1	
		11	90A	4	
		11	110A	1	
		11	125A	4	
		11	150A	2	
		11	180A	1	
	PLH53CM				

32-11-28

ILLUSTRATED PARTS LIST

01.1

Page 1027

Jul 01/03

PART NUMBER	AIRLINE PART NO.	FIG.	ITEM	TTL REQ	
PLH54CM RMA9201M3		11	190A	1	
		6	122	1	
		8	65	3	
		9	245	1	
		10	230	1	
		11	225	1	
		12	123A	1	
	RMA9207-3		5	50	2
			8	70	2
			13	165	2
	SL1612001107		2	140	2
	SL1612001108		2	40	2
S305H25		5	30A	2	
S369WHD17		13	140	2	
		3	15	1	
		3	70	8	
		3	95	2	
		16	50	4	
		16	95	5	
		2	35	5	
S369WHD9		2	135	1	
S369WHSS17		3	65	6	
		16	100	3	
S369WHSS9		4	15	4	
		4	50	2	
		4	70	2	
		9	60	7	
S369WH10		9	65	11	
		9	66	1	
		12	220	16	
		14	45A	4	
		14	400A	1	
		15	365A	2	

32-11-28

 ILLUSTRATED PARTS LIST
 01.1 Page 1028
 Jul 01/03


BOEING
 COMPONENT
 MAINTENANCE MANUAL

PART NUMBER	AIRLINE PART NO.	FIG.	ITEM	TTL REQ		
S369WH12		5	145	2		
		6	255	17		
		7	125	2		
		9	70	10		
		10	65	18		
		11	60	18		
		13	145	2		
		14	45	4		
		14	400	2		
		15	365	2		
		S369WH20		5	80	5
				7	130	5
		S369WH25		5	80A	5
				13	150	5
		S369WH27		1	215	1
S369WH7		6	155	5		
		6	235	4		
S369WH7		8	20	15		
		9	55	2		
		9	80	3		
		9	256	1		
		10	55	2		
		10	75	8		
		10	77	1		
		11	55	2		
		11	57	1		
		11	70	7		
		12	155	5		
S369WSSH14		3	72	2		
		16	125	2		
S595-14		3	100	4		
		16	45	4		
S595-17		3	35	1		
		16	40	6		

32-11-28

ILLUSTRATED PARTS LIST

01.1

Page 1029

Jul 01/03

PART NUMBER	AIRLINE PART NO.	FIG.	ITEM	TTL REQ
S595-27		1	145	1
		1	190	1
TA095000214		3	100	4
		16	45	4
TA095000217		3	35	1
		16	40	6
TA095000227		1	145	1
		1	190	1
TA12C32WD17		3	15	1
		3	70	8
		3	95	2
		16	50	4
		16	95	5
TA12C32WD9		2	35	5
		2	135	1
TA12C32WH14		3	72	2
		16	125	2
TA12C32WH17		3	65	6
		16	100	3
TA12C32WH9		4	15	4
		4	50	2
		4	70	2
TA12C32WS10		9	60	7
		9	65	11
		9	66	1
		12	220	16
		14	45A	4
		14	400A	1
TA12C32WS10		15	365A	2
TA12C32WS12		5	145	2
		6	255	17
		7	125	2
		9	70	10
		10	65	18
		11	60	18
		13	145	2
		14	45	4
		14	400	2
		15	365	2

32-11-28

 ILLUSTRATED PARTS LIST
 01.1 Page 1030
 Jul 01/03


BOEING
 COMPONENT
 MAINTENANCE MANUAL

PART NUMBER	AIRLINE PART NO.	FIG.	ITEM	TTL REQ
TA12C32WS20		5	80	5
		7	130	5
TA12C32WS25		5	80A	5
		13	150	5
TA12C32WS27		1	215	1
TA12C32WS7		6	155	5
		6	235	4
		8	20	15
		9	55	2
		9	80	3
		9	256	1
		10	55	2
		10	75	8
		10	77	1
		11	55	2
		11	57	1
		11	70	7
		12	155	5
		T6C1032JCD		1
1	185			2
2	25			4
2	130			1
3	30			2
3	125			2
3	190			2
16	30			6
16	180			2
16	230			2
T6C1032JM		4	60	2
		4	95	4
		6	207	2
T6C428JCD		11	237	4
		1	102	2
T6C428JCD		2	50	2
		2	150	2
T6C428JCD		3	155	4
		14	60	1
		15	60	1
		16	140	8

32-11-28

ILLUSTRATED PARTS LIST

01.1

Page 1031

Jul 01/03

PART NUMBER	AIRLINE PART NO.	FIG.	ITEM	TTL REQ
T6C428JM		1	122	2
T6C524JCD		3	144	2
T8076S1032		6	122	1
		8	65	3
		9	245	1
		10	230	1
		11	225	1
		12	123A	1
T8077S1032		5	50	2
		13	165	2
T8092C524CD		1	128	2
T8097S1032K		5	125	2
		7	45	2
		13	85	2
T8109S1032		5	50A	2
		8	70	2
		13	165A	2
T8125C3C		1	50	6
		1	52	6
VN101A1-02		5	50A	2
		8	70	2
		13	165A	2
VN201A1-02		5	50	2
		13	165	2
VN202A1-02		6	122	1
		8	65	3
		9	245	1
		10	230	1
		11	225	1
		12	123A	1
VN252D02		1	50	6
		1	52	6
VN303D02		4	60	2
		4	95	4
		6	207	2
		11	237	4

32-11-28

 ILLUSTRATED PARTS LIST
 01.1 Page 1032
 Jul 01/03


BOEING
 COMPONENT
 MAINTENANCE MANUAL

PART NUMBER	AIRLINE PART NO.	FIG.	ITEM	TTL REQ
VN303D048		1	122	2
YT108		5	65	2
Y8412		1	405	1
		3	215	1
Y8412		4	460	1
		5	150	1
		6	205	1
		7	110	1
		8	140	1
		9	255	1
		10	240	1
		11	235	1
		12	205	1
		13	105	1
		16	285	1
102F9201-5		1	128	2
102LH9075-3W		1	143	1
		1	185	2
		2	25	4
		2	130	1
		3	30	2
		3	125	2
		3	190	2
		16	30	6
		16	180	2
		16	230	2
102LH9075-4W		1	102	2
		2	50	2
		2	150	2
		3	155	4
		14	60	1
		15	60	1
		16	140	8

32-11-28

ILLUSTRATED PARTS LIST

01.1

Page 1033

Jul 01/03

PART NUMBER	AIRLINE PART NO.	FIG.	ITEM	TTL REQ
102LH9075-5W		3	144	2
1068714P		3	100	4
		16	45	4
1068717P		3	35	1
		16	40	6
1068727P		1	145	1
		1	190	1
109F9201M3		1	50	6
		1	52	6
109LH9075-3W		4	60	2
		4	95	4
		6	207	2
		11	237	4
109LH9075-4W		1	122	2
272T0174-1		14	65	1
		15	70	1
272T0174-2		14	70	1
		15	75	1
272T6146-58		16	85	3
272T6146-59		16	90	3
272W9102-22		3	195	1
		16	185	1
287T6101-101		6	10	1
		12	10	1
287T6101-102		6	15	1
		12	15	1
287T6101-103		7	10	1
		13	10	1
287T6101-104		7	15	1
		13	15	1
287T6101-105		7	115	1
287T6101-106		7	120	1
287T6101-107		13	110	1
287T6101-108		13	115	1
287T6101-109		12	210	1

32-11-28

 ILLUSTRATED PARTS LIST
 01.1 Page 1034
 Jul 01/03


BOEING
 COMPONENT
 MAINTENANCE MANUAL

PART NUMBER	AIRLINE PART NO.	FIG.	ITEM	TTL REQ
287T6101-110		12	215	1
287T6101-111		6	210	1
287T6101-112		6	215	1
287T6101-121		15	10	1
287T6101-122		15	15	1
287T6101-123		15	340	1
287T6101-124		15	345	1
287T6101-125		15	340A	1
287T6101-126		15	345A	1
287T6101-127		15	340B	1
287T6101-128		15	345B	1
287T6101-129		15	340C	1
287T6101-130		15	345C	1
287T6101-4001		1	1A	RF
287T6101-4002		1	3	RF
287T6101-4003		1	5	RF
		2	1	RF
287T6101-4004		1	7	RF
		2	5	RF
287T6101-4005		1	9	RF
		3	1	RF
287T6101-4006		1	11	RF
		3	5	RF
287T6101-4007		1	13A	RF
		4	1A	RF
287T6101-4008		1	15B	RF
287T6101-4008		4	5B	RF
287T6101-4009		1	13	RF
		4	1	RF
287T6101-401		1	5A	RF
		8	1	RF
287T6101-4010		1	15	RF
		4	5	RF
287T6101-4012		1	15A	RF
		4	5A	RF
287T6101-4013		1	9A	RF
		3	1A	RF
287T6101-4014		1	11A	RF
		3	5A	RF
287T6101-4015		1	1Q	RF
287T6101-4016		1	3R	RF
287T6101-4017		1	13B	RF
		4	1B	RF

32-11-28

 ILLUSTRATED PARTS LIST
 01.1 Page 1035
 Jul 01/03

PART NUMBER	AIRLINE PART NO.	FIG.	ITEM	TTL REQ
287T6101-4018		1	15C	RF
		4	5C	RF
287T6101-4019		1	1R	RF
287T6101-402		1	7A	RF
		8	5	RF
287T6101-4020		1	3S	RF
287T6101-4023		1	1S	RF
287T6101-4024		1	3T	RF
287T6101-4025		1	1T	RF
		16	1A	RF
287T6101-4026		1	3U	RF
		16	5	RF
287T6101-4027		1	1U	RF
287T6101-4028		1	3V	RF
287T6101-403		1	9K	RF
		12	1	RF
287T6101-404		1	11K	RF
		12	5	RF
287T6101-405		1	1K	RF
		6	1	RF
287T6101-406		1	3L	RF
		6	5	RF
287T6101-407		1	1L	RF
		6	1A	RF
287T6101-408		1	3M	RF
		6	5A	RF
287T6101-409		1	1M	RF
		6	1B	RF
287T6101-410		1	3N	RF
		6	5B	RF
287T6101-411		1	1N	RF
		7	1	RF
287T6101-412		1	3P	RF
		7	5	RF
287T6101-413		1	1P	RF
		7	1A	RF
287T6101-414		1	3Q	RF
		7	5A	RF
287T6101-415		1	9L	RF
		13	1	RF
287T6101-416		1	11L	RF
		13	5	RF
287T6101-417		1	1G	RF
		5	1E	RF
287T6101-418		1	3F	RF
		5	5E	RF

32-11-28

 ILLUSTRATED PARTS LIST
 01.1 Page 1036
 Jul 01/03


BOEING
 COMPONENT
 MAINTENANCE MANUAL

PART NUMBER	AIRLINE PART NO.	FIG.	ITEM	TTL REQ
287T6101-419		1	17D	RF
		15	1	RF
287T6101-420		15	5	RF
287T6101-421		1	17E	RF
		15	1A	RF
287T6101-422		15	5A	RF
287T6101-423		1	17F	RF
		15	1B	RF
287T6101-424		15	5B	RF
287T6101-425		1	17G	RF
		15	1C	RF
287T6101-426		15	5C	RF
287T6101-427		1	9B	RF
		9	1	RF
287T6101-428		1	9C	RF
		9	1A	RF
287T6101-429		1	9E	RF
		10	1	RF
287T6101-430		1	11C	RF
		9	5A	RF
287T6101-431		1	9G	RF
		11	1	RF
287T6101-432		1	11E	RF
		10	5	RF
287T6101-433		1	9H	RF
		11	1A	RF
287T6101-434		1	11G	RF
287T6101-434		11	5	RF
287T6101-435		1	11B	RF
		9	5	RF
287T6101-436		1	11H	RF
		11	5A	RF

32-11-28

 ILLUSTRATED PARTS LIST
 01.1 Page 1037
 Jul 01/03

PART NUMBER	AIRLINE PART NO.	FIG.	ITEM	TTL REQ
287T6101-437		1	5B	RF
		8	1A	RF
287T6101-438		1	7B	RF
		8	5A	RF
287T6101-439		1	1B	RF
		5	1	RF
287T6101-440		1	3A	RF
		5	5	RF
287T6101-441		1	1C	RF
		5	1A	RF
287T6101-442		1	3B	RF
		5	5A	RF
287T6101-443		1	1H	RF
		5	1F	RF
287T6101-444		1	3G	RF
		5	5F	RF
287T6101-445		1	17	RF
		14	1	RF
287T6101-446		1	19	RF
		14	5	RF
287T6101-447		1	17A	RF
		14	1A	RF
287T6101-448		1	19A	RF
		14	5A	RF
287T6101-449		1	17B	RF
		14	1B	RF
287T6101-450		1	19B	RF
		14	5B	RF
287T6101-451		1	17C	RF
		14	1C	RF
287T6101-452		1	19C	RF
		14	5C	RF
287T6101-453		1	1D	RF
		5	1B	RF
287T6101-454		1	1F	RF
		5	1D	RF

32-11-28

 ILLUSTRATED PARTS LIST
 01.1 Page 1038
 Jul 01/03


BOEING
 COMPONENT
 MAINTENANCE MANUAL

PART NUMBER	AIRLINE PART NO.	FIG.	ITEM	TTL REQ
287T6101-455		1	3C	RF
		5	5B	RF
287T6101-456		1	3E	RF
		5	5D	RF
287T6101-457		1	1J	RF
		5	1G	RF
287T6101-458		1	3H	RF
		5	5G	RF
287T6101-459		1	1E	RF
		5	1C	RF
287T6101-460		1	3D	RF
		5	5C	RF
287T6101-461		1	9D	RF
		9	1B	RF
287T6101-462		1	9F	RF
		10	1A	RF
287T6101-463		1	11D	RF
		9	5B	RF
287T6101-464		1	9J	RF
		11	1B	RF
287T6101-465		1	11F	RF
		10	5A	RF
287T6101-466		1	11J	RF
		11	5B	RF
287T6101-467		1	11M	RF
		9	5C	RF
287T6101-468		1	11N	RF
		10	5B	RF
287T6101-469		1	11P	RF
		11	5C	RF
287T6101-470		1	3J	RF
		5	5H	RF
287T6101-471		1	3K	RF
		5	5J	RF
287T6101-472		1	19D	RF
		14	5D	RF

32-11-28

 ILLUSTRATED PARTS LIST
 01.1 Page 1039
 Jul 01/03

PART NUMBER	AIRLINE PART NO.	FIG.	ITEM	TTL REQ
287T6104-301		12	230	1
287T6104-302		12	235	1
287T6104-303		12	240	1
287T6104-304		12	245	1
287T6104-305		6	260B	1
287T6104-306		6	265B	1
287T6104-307		6	270B	1
287T6104-308		6	275B	1
287T6104-309		6	260A	1
287T6104-310		6	265A	1
287T6104-311		6	270A	1
287T6104-312		6	275A	1
287T6104-313		6	260	1
287T6104-314		6	265	1
287T6104-315		6	270	1
287T6104-316		6	275	1
287T6104-317		5	155	1
		7	160	1
287T6104-318		5	160	1
		7	165	1
287T6104-319		5	155F	1
		13	175	1
287T6104-320		5	160H	1
		13	180	1
287T6104-321		5	155E	1
287T6104-322		5	160G	1
287T6104-323		5	155A	1
		7	160A	1
287T6104-324		5	160A	1
		7	165A	1
287T6104-325		8	145	1
		8	150	1
287T6104-326		8	180	1
		8	185	1
287T6104-327		8	215	1
		8	220	1
287T6104-328		8	250	1
		8	255	1
287T6104-329		9	260	1
287T6104-331		9	270	1
287T6104-332		9	265A	1
287T6104-333		9	270A	1
287T6104-334		9	275A	1
287T6104-335		10	245	1
287T6104-336		10	250	1
287T6104-337		10	255	1

32-11-28

 ILLUSTRATED PARTS LIST
 01.1 Page 1040
 Jul 01/03


BOEING
 COMPONENT
 MAINTENANCE MANUAL

PART NUMBER	AIRLINE PART NO.	FIG.	ITEM	TTL REQ
287T6104-338		10	260	1
287T6104-339		11	240	1
287T6104-340		11	245	1
287T6104-341		11	250	1
287T6104-342		11	255	1
287T6104-343		11	240A	1
287T6104-344		11	245A	1
287T6104-345		11	250A	1
287T6104-346		11	255A	1
287T6104-347		9	265	1
287T6104-348		9	275	1
287T6104-349		8	180A	1
287T6104-350		8	150A	1
287T6104-351		8	250A	1
287T6104-352		8	220A	1
287T6104-353		8	145A	1
287T6104-354		8	185A	1
287T6104-355		8	215A	1
287T6104-356		8	255A	1
287T6104-357		5	155B	1
287T6104-358		5	155D	1
287T6104-359		5	160B	1
287T6104-360		5	160F	1
287T6104-361		5	155G	1
287T6104-363		5	155C	1
287T6104-364		5	160C	1
287T6104-365		9	260B	1
287T6104-366		9	265B	1
287T6104-367		9	270B	1
287T6104-368		9	275C	1
287T6104-369		10	245A	1
287T6104-370		10	250A	1
287T6104-372		10	260B	1
287T6104-373		11	240B	1
287T6104-374		11	245B	1

32-11-28

 ILLUSTRATED PARTS LIST
 01.1 Page 1041
 Jul 01/03

PART NUMBER	AIRLINE PART NO.	FIG.	ITEM	TTL REQ
287T6104-375		11	250B	1
287T6104-376		11	255C	1
287T6104-377		11	255B	1
287T6104-378		9	275B	1
287T6104-379		10	260A	1
287T6104-380		5	160D	1
287T6104-381		5	160J	1
287T6104-382		5	160E	1
287T6104-4001		1	235	1
287T6104-4002		1	240	1
287T6104-4003		2	70	1
287T6104-4004		2	75	1
287T6104-4005		2	175	1
287T6104-4006		2	180	1
287T6104-4007		2	95	1
287T6104-4008		2	100	1
287T6104-4009		2	200	1
287T6104-4010		2	205	1
287T6104-4011		3	220	1
287T6104-4012		3	225	1
287T6104-4013		3	265	1
287T6104-4014		3	270	1
287T6104-4015		4	115A	1
287T6104-4016		4	120A	1
287T6104-4017		4	280A	1
287T6104-4018		4	285B	1
287T6104-4019		4	115	1
287T6104-4020		4	120	1
287T6104-4021		4	280	1
287T6104-4022		4	285	1
287T6104-4024		4	285A	1
287T6104-4025		1	235A	1
287T6104-4026		1	240A	1
287T6104-4027		4	115B	1
287T6104-4028		4	120B	1

32-11-28

 ILLUSTRATED PARTS LIST
 01.1 Page 1042
 Jul 01/03


BOEING
 COMPONENT
 MAINTENANCE MANUAL

PART NUMBER	AIRLINE PART NO.	FIG.	ITEM	TTL REQ
287T6104-4029		4	280B	1
287T6104-4030		4	285C	1
287T6104-4031		16	290	1
287T6104-4032		16	295	1
287T6104-4033		16	300	1
287T6104-4034		16	305	1
287T6104-4035		1	235B	1
287T6104-4036		1	240B	1
287T6109-1		5	115	1
		7	35	1
		13	75	1
287T6109-2		5	130	1
		7	50	1
		13	90	1
287T6111-10		14	105	4
		15	35	4
287T6111-15		6	180	2
		9	165	2
		10	160	2
		11	155	2
		12	180	2
287T6111-21		6	145	1
		9	220	1
		10	205	1
		11	200	1
		12	145	1
287T6111-22		6	125	1
		9	225	1
		10	210	1
		11	205	1
		12	125	1
287T6111-23		6	140	2
		9	215	2
		10	200	2
		11	195	2
		12	140	2

32-11-28

 ILLUSTRATED PARTS LIST
 01.1 Page 1043
 Jul 01/03

PART NUMBER	AIRLINE PART NO.	FIG.	ITEM	TTL REQ
287T6111-25		8	105	1
287T6111-3		8	85	1
287T6111-39		6	121	1
		9	235	1
		10	220	1
		11	215	1
		12	121	1
287T6111-4		8	90	1
287T6111-40		6	124	1
		9	250	1
		10	235	1
		11	230	1
		12	124	1
287T6111-4003		1	100	1
287T6111-4007		1	195	1
287T6111-4017		1	112	1
287T6111-4019		1	113	1
287T6111-4021		1	116	1
287T6111-4022		1	118	1
287T6111-42		5	55	1
		13	170	1
287T6111-43		5	35	1
		7	155	1
287T6111-45		14	170	1
		15	115	1
287T6111-46		14	175	1
		15	120	1
287T6111-47		14	292	1
287T6111-48		14	297	1
287T6111-49		14	195	1
		15	140	1
287T6111-50		14	200	1
287T6111-51		14	240	1
		15	240	1
287T6111-52		14	245	1
		15	245	1
287T6111-53		14	265	1
		15	265	1
287T6111-54		14	270	1
287T6111-55		14	220	1
287T6111-55		14	290	1
		15	160	1
		15	285	1
287T6111-56		14	225	1
		14	295	1
		15	165	1
		15	290	1

32-11-28

 ILLUSTRATED PARTS LIST
 01.1 Page 1044
 Jul 01/03


BOEING
 COMPONENT
 MAINTENANCE MANUAL

PART NUMBER	AIRLINE PART NO.	FIG.	ITEM	TTL REQ
287T6111-57		14	235	1
		14	305	1
		15	175	1
		15	300	1
287T6111-58		14	230	2
		14	300	2
		15	170	2
		15	295	2
287T6111-59		14	110	1
		15	85	1
287T6111-60		14	115	1
		15	90	1
287T6111-61		14	140	1
		15	210	1
287T6111-62		14	145	1
		15	215	1
287T6111-63		14	135	1
		14	165	1
		15	110	1
		15	235	1
287T6111-64		14	125	1
		14	155	1
		15	100	1
		15	225	1
287T6111-65		14	130	1
		14	160	1
		15	105	1
		15	230	1
287T6111-66		14	185	2
		14	255	2
		15	130	2
		15	255	2
287T6111-67		14	310	2
		15	180	2
287T6111-68		14	320	2
		15	190	2
287T6111-69		14	335	2
		15	205	2
287T6111-70		14	350	2
		15	80	1
		15	305	1
287T6111-71		5	40	1
		13	155	1
287T6111-84		14	375	1
		15	370	1
287T6111-87		8	107	1

32-11-28

 ILLUSTRATED PARTS LIST
 01.1 Page 1045
 Jul 01/03

PART NUMBER	AIRLINE PART NO.	FIG.	ITEM	TTL REQ
287T6111-90		14	115A	1
		15	90A	1
287T6111-92		14	145A	1
		15	215A	1
287T6114-7		5	100	1
		7	100	1
		13	60	1
287T6114-8		5	105	1
		7	105	1
		13	65	1
287T6115-4001		1	35	1
287T6115-4002		1	40	1
287T6115-4003		1	55	1
287T6115-4004		1	60	1
287T6115-4005		1	37	1
287T6115-4006		1	42	1
287T6115-4007		1	57	1
287T6115-4008		1	62	1
287T6115-4009		1	37A	1
287T6115-4010		1	42A	1
287T6115-4011		1	57A	1
287T6115-4012		1	62A	1
287T6116-11		14	340	4
		15	350	4
287T6116-12		14	345	4
		15	350A	4
287T6116-5		6	250	4
		9	180	2
		10	165	4
		11	160	4
287T6116-6		9	170	2
		9	175	2
		12	225	4
287T6120-1		8	50	1
287T6120-2		8	55	1
287T6120-3		8	75	1
287T6120-4		8	80	1
287T6121-1		8	45	4
287T6122-2		14	370	1
		15	355	1

32-11-28

 ILLUSTRATED PARTS LIST
 01.1 Page 1046
 Jul 01/03


BOEING
 COMPONENT
 MAINTENANCE MANUAL

PART NUMBER	AIRLINE PART NO.	FIG.	ITEM	TTL REQ
287T6123-3		14	380	2
		15	360	2
287T6123-5		14	380A	2
		15	360A	2
287T6125-1		14	190	1
		14	260	1
		15	135	1
		15	260	1
287T6125-2		14	315	2
		15	185	2
287T6136-1		3	160	2
		16	200	1
287T6136-2		3	165	2
		16	205	1
287T6137-1		3	210	1
287T6138-1		3	105	1
		16	210	1
287T6138-11		3	205	1
		16	195	1
287T6138-12		16	150	8
287T6138-13		16	155	1
287T6138-3		3	140	2
		16	240	2
287T6138-5		3	135	2
		16	245	2
287T6138-7		3	170	1
287T6138-9		3	200	2
		16	190	2
287T6140-15		1	130A	1
287T6140-16		1	134	1
287T6140-17		1	136	1
287T6140-18		1	138	1
287T6140-19		1	147	1
287T6140-20		1	148	1
287T6140-5		4	110	1

32-11-28

 ILLUSTRATED PARTS LIST
 01.1 Page 1047
 Jul 01/03

PART NUMBER	AIRLINE PART NO.	FIG.	ITEM	TTL REQ
287T6141-17		3	80	1
287T6141-27		16	250	1
287T6141-28		16	255	1
287T6141-29		16	260	1
287T6141-30		16	265	1
287T6141-37		16	270	1
287T6141-38		16	275	1
287T6143-1		4	100	4
287T6151-1		1	124	1
287T6151-2		16	145	2
287U0066-1		1	106	1
287U0066-4		1	110A	1
287U0066-7		1	108	1
3M5421		1	405A	1
		3	215A	1
		4	460A	1
		16	285A	1
3140AB081E		6	245	2
		9	145	1
		10	140	2
		10	142	1
		11	135	2
		11	137	1
3140AB101E		6	70	1
		7	95	1
		9	125	1
		10	120	1
		11	115	1
		12	70	1
3140AB102E		9	125A	1
		10	120A	1
		11	115A	1
3140AB114E		1	200	1
3140AB116E		6	100	2
		9	105	2
		10	100	2
		11	95	2
		12	100	2

32-11-28

 ILLUSTRATED PARTS LIST
 01.1 Page 1048
 Jul 01/03


BOEING
 COMPONENT
 MAINTENANCE MANUAL

PART NUMBER	AIRLINE PART NO.	FIG.	ITEM	TTL REQ
3140AB127E		3	85	2
		16	280	2
43610-048		14	210	4
		14	280	4
		14	330	8
		15	150	4
		15	200	8
		15	275	4
44SC13H17PB		3	35	1
		16	40	6
44SC38H14PB		3	100	4
44SC38H14PB		16	45	4
45SC13H27PB		1	145	1
		1	190	1
470S25HT		5	30A	2
		13	140	2
509A17		3	15	1
		3	70	8
		3	95	2
		16	50	4
		16	95	5
509A58		2	35	5
		2	135	1
509SS14		3	72	2
		16	125	2
509SS17		3	65	6
		16	100	3
509SS9		4	15	4
		4	50	2
		4	70	2
509S10		9	60	7
		9	65	11
		9	66	1
		12	220	16
		14	45A	4
		14	400A	1
		15	365A	2

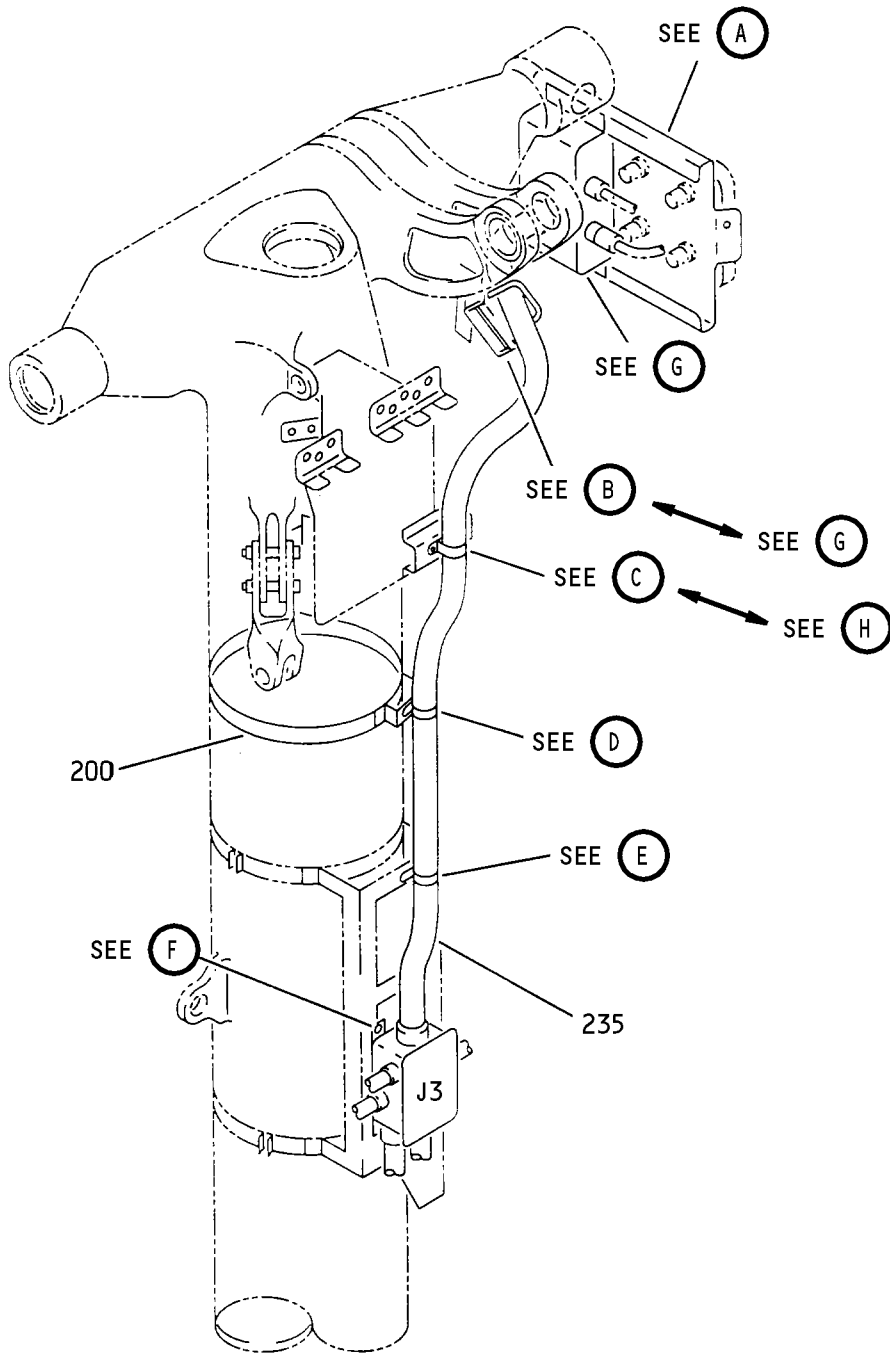
32-11-28

 ILLUSTRATED PARTS LIST
 01.1 Page 1049
 Jul 01/03

PART NUMBER	AIRLINE PART NO.	FIG.	ITEM	TTL REQ		
509S12		5	145	2		
		6	255	17		
		7	125	2		
		9	70	10		
		10	65	18		
		11	60	18		
		13	145	2		
		14	45	4		
		14	400	2		
		15	365	2		
		509S20		5	80	5
				7	130	5
		509S25		5	80A	5
				13	150	5
		509S27		1	215	1
509S7		6	155	5		
		6	235	4		
		8	20	15		
		9	55	2		
509S7		9	80	3		
		9	256	1		
		10	55	2		
		10	75	8		
		10	77	1		
		11	55	2		
		11	57	1		
		11	70	7		
		12	155	5		
		7355		1	405B	1
3	215B			1		
4	460B			1		
16	285B			1		
76233		5	65	2		
8068XSC25		5	30A	2		
		13	140	2		
9NS202101SE048		1	122	2		
97E02		4	60	2		
		4	95	4		
		6	207	2		
		11	237	4		
97E48		1	122	2		

32-11-28

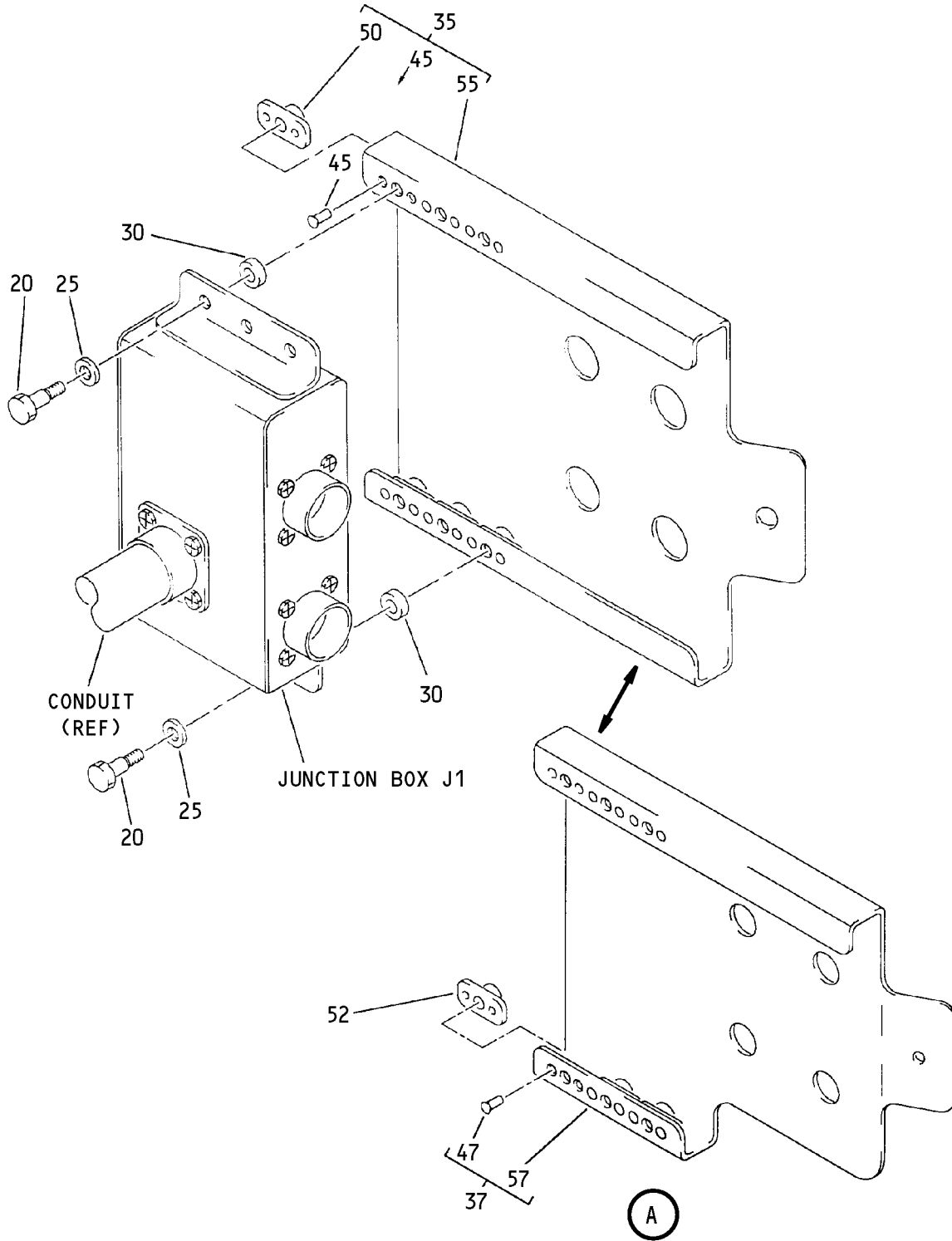
 ILLUSTRATED PARTS LIST
 01.1 Page 1050
 Jul 01/03



Wire Provision Installation - Rear Spar to Oleo
Figure 1 (Sheet 1)

32-11-28

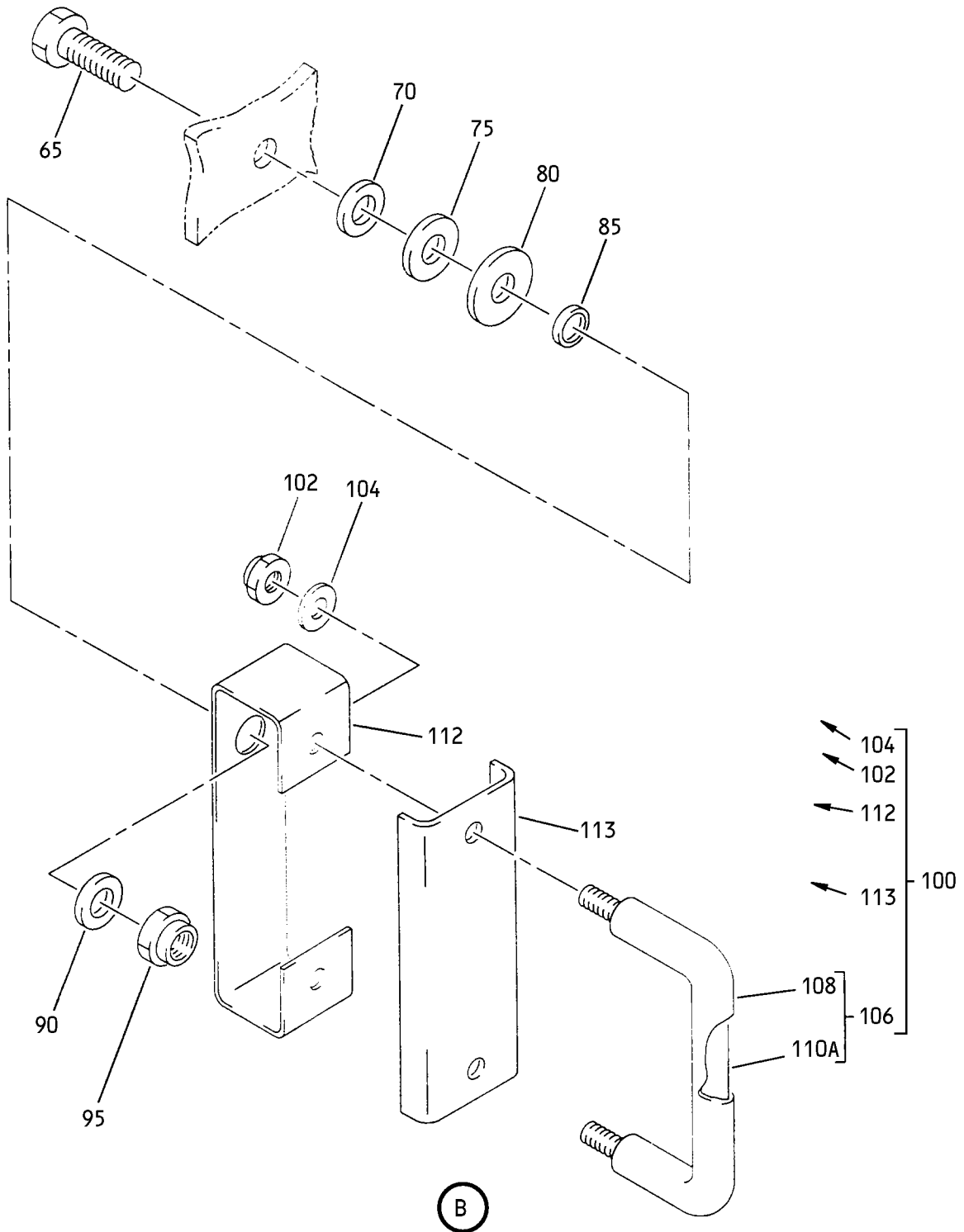
ILLUSTRATED PARTS LIST
01.1 Page 1052
Jul 01/03



Wire Provision Installation - Rear Spar to Oleo
Figure 1 (Sheet 2)

32-11-28

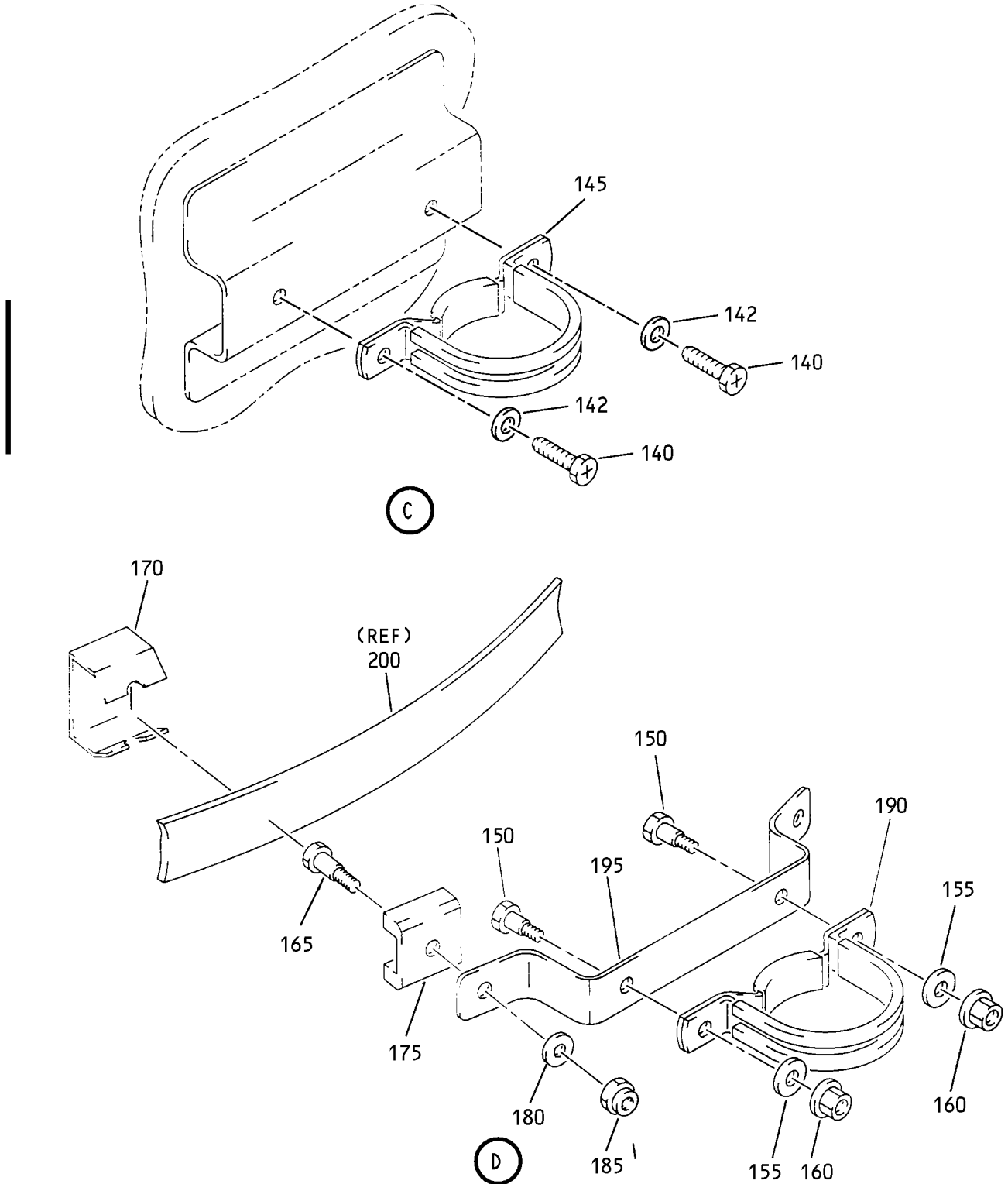
ILLUSTRATED PARTS LIST
01.1 Page 1053
Jul 01/03



Wire Provision Installation - Rear Spar to Oleo
 Figure 1 (Sheet 3)

32-11-28

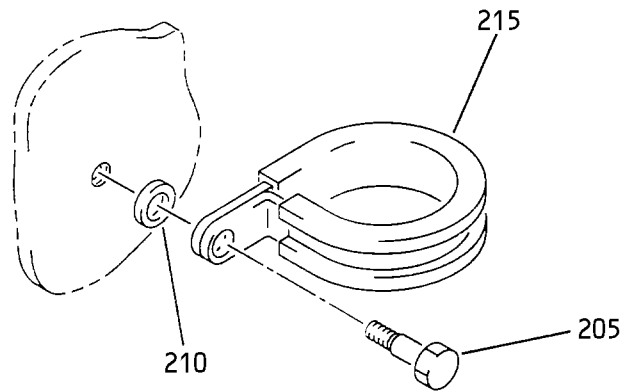
ILLUSTRATED PARTS LIST
 01.1 Page 1054
 Jul 01/03



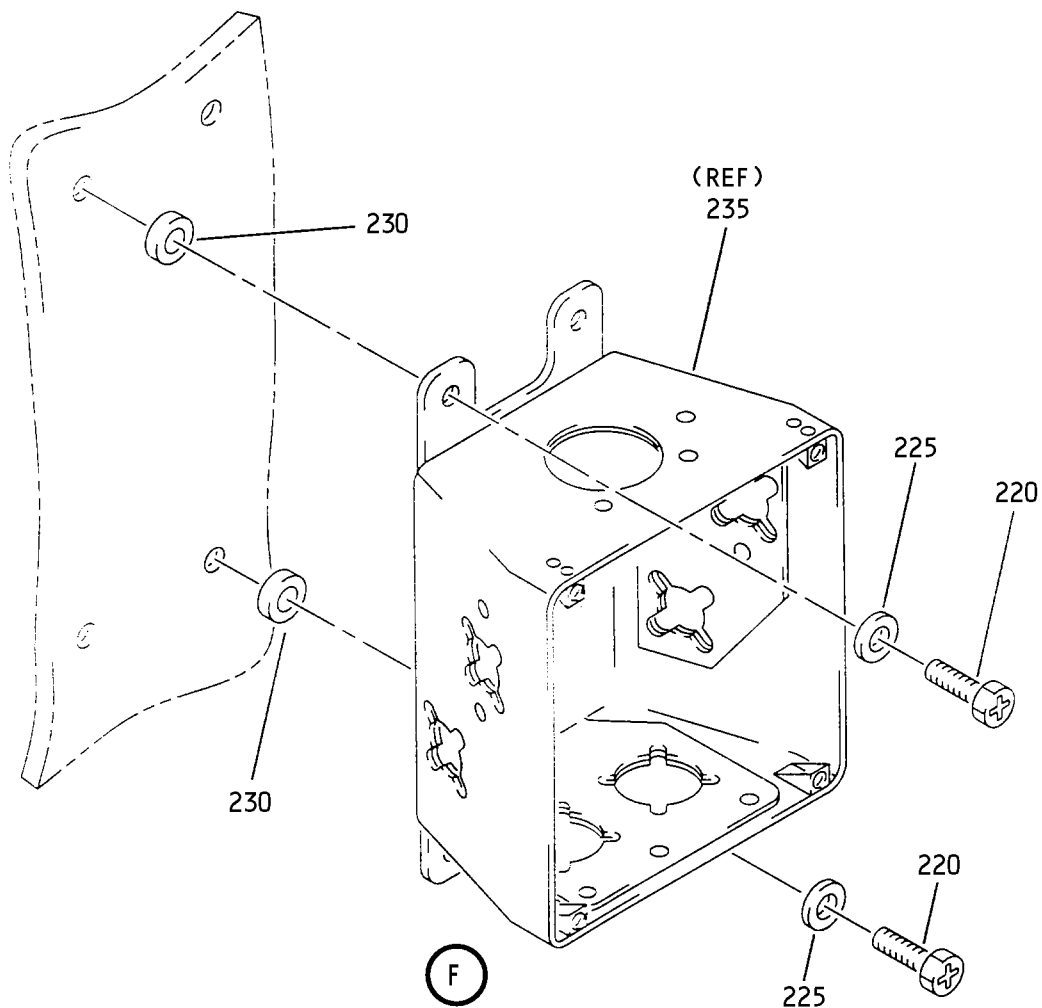
Wire Provision Installation - Rear Spar to Oleo
 Figure 1 (Sheet 4)

32-11-28

ILLUSTRATED PARTS LIST
 01.1 Page 1055
 Jul 01/03



E

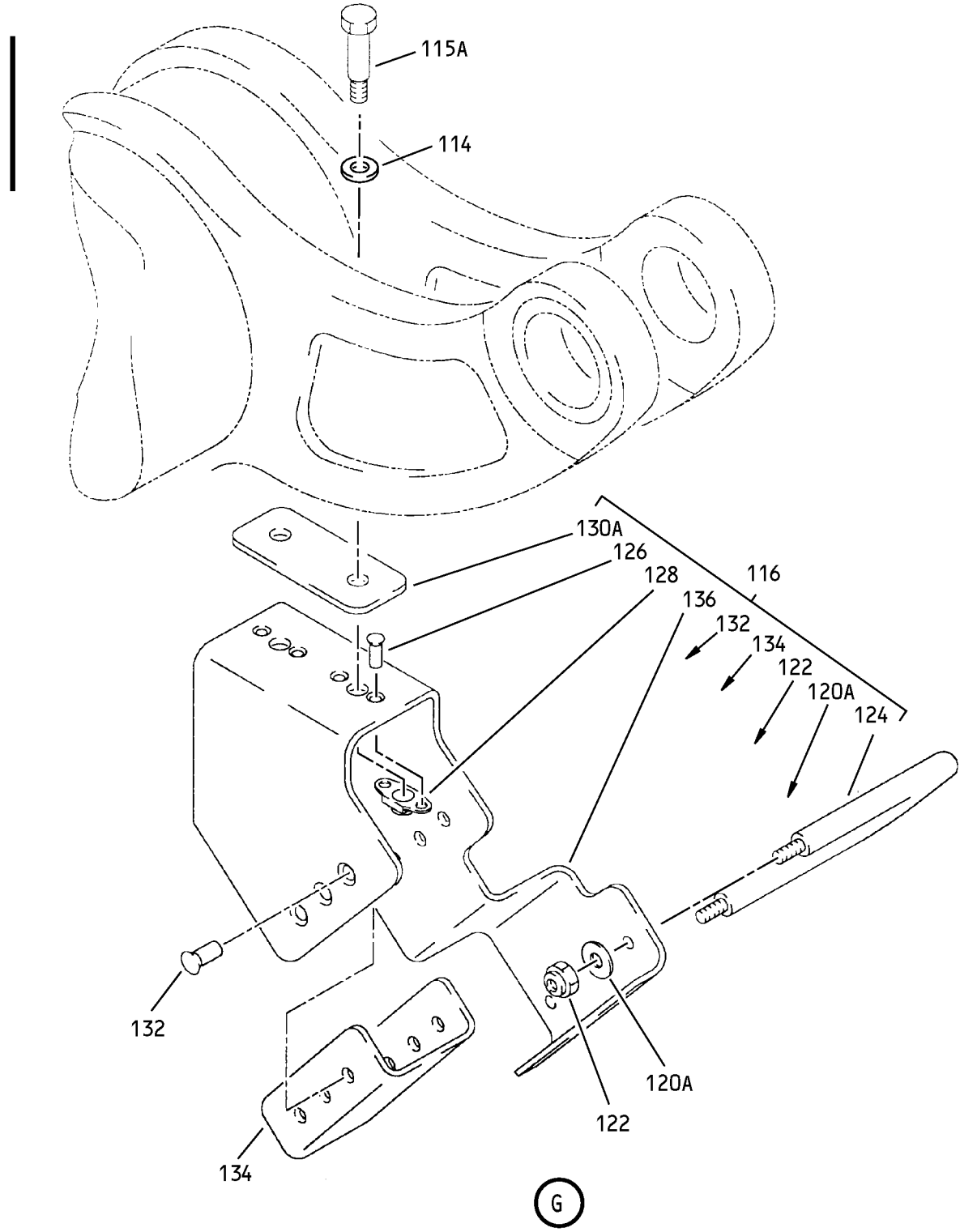


F

Wire Provision Installation - Rear Spar to Oleo
Figure 1 (Sheet 5)

32-11-28

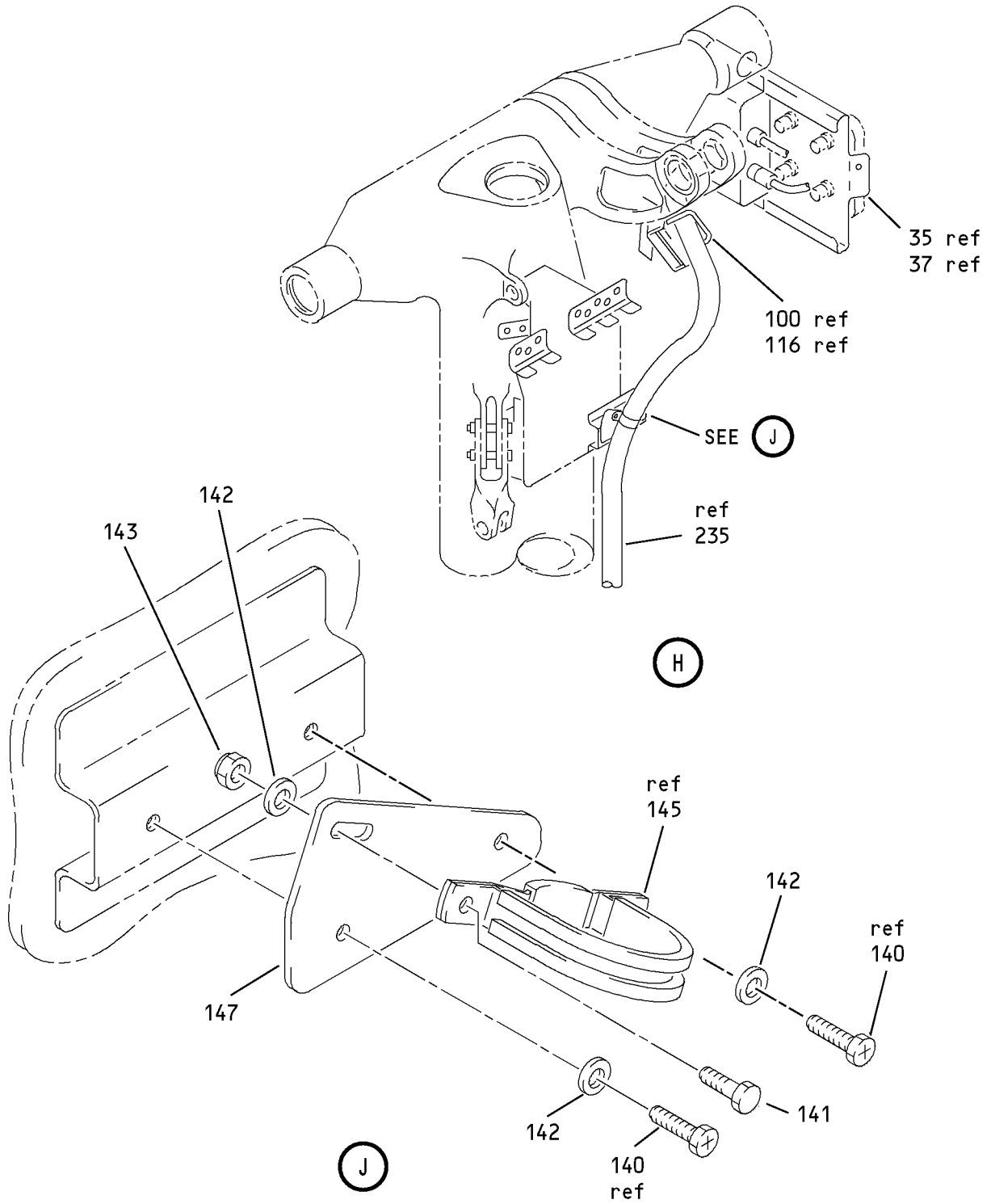
ILLUSTRATED PARTS LIST
01.1 Page 1056
Jul 01/03



Wire Provision Installation - Rear Spar to Oleo
Figure 1 (Sheet 6)

32-11-28

ILLUSTRATED PARTS LIST
01.1 Page 1057
Jul 01/03



Wire Provision Installation - Rear Spar to Oleo
 Figure 1 (Sheet 7)

32-11-28

ILLUSTRATED PARTS LIST
 01.1 Page 1058
 Jul 01/03


BOEING
 COMPONENT
 MAINTENANCE MANUAL

FIG. & ITEM	PART NO.	AIRLINE PART NUMBER	NOMENCLATURE 1234567	EFF CODE	QTY PER ASSY
01- -1A	287T6101-4001		WIRE PROV INSTL-REAR SPAR TO OLEO L	A	RF
-1B	287T6101-439		WIRE PROV INSTL-L MLG, NO BRAKE TEMP, NO BRAKE FAN, NO TIRE PRESSURE IND (0.50 ID CONDUITS) (FOR DETAILS SEE FIG. 5)	P	RF
-1C	287T6101-441		WIRE PROV INSTL-L MLG, WITH BRAKE TEMP, NO BRAKE FAN, NO TIRE PRESSURE IND (0.62 ID CONDUITS) (FOR DETAILS SEE FIG. 5)	R	RF
-1D	287T6101-453		WIRE PROV INSTL-L MLG, NO BRAKE TEMP, NO BRAKE FAN, NO TIRE PRESSURE IND (0.50 ID CONDUITS) (FOR DETAILS SEE FIG. 5)	T	RF
-1E	287T6101-459		WIRE PROV INSTL-L MLG, WITH BRAKE TEMP, NO BRAKE FAN, NO TIRE PRESSURE IND (0.62 ID CONDUITS) (FOR DETAILS SEE FIG. 5)	V	RF
-1F	287T6101-454		WIRE PROV INSTL-L MLG, NO BRAKE TEMP, NO BRAKE FAN, NO TIRE PRESSURE IND (0.50 ID CONDUITS) (FOR DETAILS SEE FIG. 5)	Z	RF
-1G	287T6101-417		WIRE PROV INSTL-L MLG, WITH BRAKE TEMP AND BRAKE FAN, NO TIRE PRESSURE IND (0.62 ID CONDUITS) (FOR DETAILS SEE FIG. 5)	BC	RF
-1H	287T6101-443		WIRE PROV INSTL-L MLG, WITH BRAKE TEMP AND TIRE PRESSURE IND, NO BRAKE FAN (0.62 ID CONDUITS) (FOR DETAILS SEE FIG. 5)	BE	RF
-1J	287T6101-457		WIRE PROV INSTL-L MLG, WITH BRAKE TEMP AND TIRE PRESSURE IND, NO BRAKE FAN (0.62 ID CONDUITS) (FOR DETAILS SEE FIG. 5)	BG	RF

32-11-28

ILLUSTRATED PARTS LIST

01.1

Page 1059

Jul 01/03

FIG. & ITEM	PART NO.	AIRLINE PART NUMBER	NOMENCLATURE 1234567	EFF CODE	QTY PER ASSY
01- -1K	287T6101-405		WIRE PROV INSTL-L MLG, WITH BRAKE TEMP, NO BRAKE FAN, NO TIRE PRESSURE IND (0.62 ID CONDUITS) (FOR DETAILS SEE FIG. 6)	BN	RF
-1L	287T6101-407		WIRE PROV INSTL-L MLG, WITH BRAKE TEMP AND TIRE PRESSURE IND, NO BRAKE FAN (0.62 ID CONDUITS) (FOR DETAILS SEE FIG. 6)	BS	RF
-1M	287T6101-409		WIRE PROV INSTL-L MLG, WITH BRAKE TEMP AND BRAKE FAN, NO TIRE PRESSURE IND (0.62 ID CONDUITS) (FOR DETAILS SEE FIG. 6)	BQ	RF
-1N	287T6101-411		WIRE PROV INSTL-L MLG, NO BRAKE TEMP, NO BRAKE FAN, NO TIRE PRESSURE IND (0.50 ID CONDUITS) (FOR DETAILS SEE FIG. 6)	CB	RF
-1P	287T6101-413		WIRE PROV INSTL-L MLG, WITH BRAKE TEMP, NO BRAKE FAN, NO TIRE PRESSURE IND (0.62 ID CONDUITS) (FOR DETAILS SEE FIG. 7)	BG	RF
-1Q	287T6101-4015		WIRE PROV INSTL-L MLG, REAR SPAR TO OLEO	CN	RF
-1R	287T6101-4019		WIRE PROV INSTL-L MLG, REAR SPAR TO OLEO	CQ	RF
R -1S	287T6101-4023		WIRE PROV INSTL-L MLG, REAR SPAR TO OLEO	CS	RF
R -1T	287T6101-4025		WIRE PROV INSTL-L MLG, REAR SPAR TO OLEO (FOR DETAILS SEE FIG. 16)	CU	RF
R -1U	287T6101-4027		WIRE PROV INSTL-L MLG, REAR SPAR TO OLEO	CW	RF
-3	287T6101-4002		WIRE PROV INSTL-REAR SPAR TO OLEO R	B	RF
-3A	287T6101-440		WIRE PROV INSTL-R MLG, NO BRAKE TEMP, NO BRAKE FAN, NO TIRE PRESSURE ID (0.50 ID CONDUITS) (FOR DETAILS SEE FIG. 5)	Q	RF

32-11-28

 ILLUSTRATED PARTS LIST
 01.1 Page 1060
 Jul 01/03


BOEING
 COMPONENT
 MAINTENANCE MANUAL

FIG. & ITEM	PART NO.	AIRLINE PART NUMBER	NOMENCLATURE 1234567	EFF CODE	QTY PER ASSY
01- -3B	287T6101-442		WIRE PROV INSTL-R MLG, WITH BRAKE TEMP, NO BRAKE FAN, NO TIRE PRESSURE ID (0.62 ID CONDUITS) (FOR DETAILS SEE FIG. 5)	S	RF
-3C	287T6101-455		WIRE PROV INSTL-R MLG, NO BRAKE TEMP, NO BRAKE FAN, NO TIRE PRESSURE ID (0.62 ID CONDUITS) (FOR DETAILS SEE FIG. 5)	U	RF
-3D	287T6101-460		WIRE PROV INSTL-R MLG, WITH BRAKE TEMP, NO BRAKE FAN, NO TIRE PRESSURE ID (0.62 ID CONDUITS) (FOR DETAILS SEE FIG. 5)	W	RF
-3E	287T6101-456		WIRE PROV INSTL-R MLG, NO BRAKE TEMP, NO BRAKE FAN, NO TIRE PRESSURE ID (0.50 ID CONDUITS FWD TRUCKS 0.62 ID CONDUITS AFT TRUCK) (FOR DETAILS SEE FIG. 5)	AA	RF
-3F	287T6101-418		WIRE PROV INSTL-R MLG, BRAKE TEMP, BRAKE FAN, NO TIRE PRESSURE ID (0.62 ID CONDUITS) (FOR DETAILS SEE FIG. 5)	BD	RF
-3G	287T6101-444		WIRE PROV INSTL-R MLG, WITH BRAKE TEMP AND TIRE PRESSURE ID, NO BRAKE FAN (0.62 ID CONDUITS) (FOR DETAILS SEE FIG. 5)	BF	RF
-3H	287T6101-458		WIRE PROV INSTL-R MLG, BRAKE TEMP, TIRE PRESSURE ID, NO BRAKE FAN (0.62 ID CONDUITS) (FOR DETAILS SEE FIG. 5)	BH	RF
-3J	287T6101-470		WIRE PROV INSTL-R MLG, NO BRAKE TEMP, NO BRAKE FAN, NO TIRE PRESSURE ID (0.62 ID CONDUITS) (FOR DETAILS SEE FIG. 5)	X	RF

32-11-28

ILLUSTRATED PARTS LIST

01.1

Page 1061

Jul 01/03

FIG. & ITEM	PART NO.	AIRLINE PART NUMBER	NOMENCLATURE 1234567	EFF CODE	QTY PER ASSY
01- -3K	287T6101-471		WIRE PROV INSTL-R MLG, BRAKE TEMP, NO BRAKE FAN, NO TIRE PRESSURE IND (0.62 ID CONDUITS) (FOR DETAILS SEE FIG. 5)	Y	RF
-3L	287T6101-406		WIRE PROV INSTL-R MLG, WITH BRAKE TEMP, NO BRAKE FAN, NO TIRE PRESSURE IND (0.62 ID CONDUITS) (FOR DETAILS SEE FIG. 6)	BP	RF
-3M	287T6101-408		WIRE PROV INSTL-R MLG, WITH BRAKE TEMP AND TIRE PRESSURE IND, NO BRAKE FAN (0.62 ID CONDUITS) (FOR DETAILS SEE FIG. 6)	BT	RF
-3N	287T6101-410		WIRE PROV INSTL-R MLG, WITH BRAKE TEMP AND BRAKE FAN, NO TIRE PRESSURE IND (0.62 ID CONDUITS) (FOR DETAILS SEE FIG. 6)	BR	RF
-3P	287T6101-412		WIRE PROV INSTL-R MLG, NO BRAKE TEMP, NO BRAKE FAN, NO TIRE PRESSURE IND (0.50 ID CONDUITS) (FOR DETAILS SEE FIG. 7)	CG	RF
-3Q	287T6101-414		WIRE PROV INSTL-R MLG, WITH BRAKE TEMP, NO BRAKE FAN, NO TIRE PRESSURE IND (0.62 ID CONDUITS) (FOR DETAILS SEE FIG. 7)	BH	RF
-3R	287T6101-4016		WIRE PROV INSTL-R MLG, REAR SPAR TO OLEO	CP	RF
-3S	287T6101-4020		WIRE PROV INSTL-R MLG, REAR SPAR TO OLEO	CR	RF
R -3T	287T6101-4024		WIRE PROV INSTL-R MLG, REAR SPAR TO OLEO	CT	RF
R -3U	287T6101-4026		WIRE PROV INSTL-R MLG, REAR SPAR TO OLEO (FOR DETAILS SEE FIG. 16)	CV	RF
R -3V	287T6101-4028		WIRE PROV INSTL-R MLG, REAR SPAR TO OLEO	CX	RF
-5	287T6101-4003		WIRE PROV INSTL-SIDE AND DRAG BRACE L (FOR DETAILS SEE FIG. 2)	C	RF

32-11-28

 ILLUSTRATED PARTS LIST
 01.1 Page 1062
 Jul 01/03


BOEING
 COMPONENT
 MAINTENANCE MANUAL

FIG. & ITEM	PART NO.	AIRLINE PART NUMBER	NOMENCLATURE 1234567	EFF CODE	QTY PER ASSY
01- -5A	287T6101-401		WIRE PROV INSTL- L (FOR DETAILS SEE FIG. 8)	BU	RF
-5B	287T6101-437		WIRE PROV INSTL- L (FOR DETAILS SEE FIG. 8)	BW	RF
-7	287T6101-4004		WIRE PROV INSTL-SIDE AND DRAG BRACE R (FOR DETAILS SEE FIG. 2)	D	RF
-7A	287T6101-402		WIRE PROV INSTL- R (FOR DETAILS SEE FIG. 8)	BV	RF
-7B	287T6101-438		WIRE PROV INSTL- R (FOR DETAILS SEE FIG. 8)	BX	RF
-9	287T6101-4005		WIRE PROV INSTL-OLEO TO TRUCK L (FOR DETAILS SEE FIG. 3)	E	RF
-9A	287T6101-4013		WIRE PROV INSTL-OLEO TO TRUCK L (FOR DETAILS SEE FIG. 3)	J	RF
-9B	287T6101-427		WIRE PROV INSTL-L MLG NO BRAKE TEMP, NO BRAKE FAN, NO TIRE PRESSURE IND (0.50 ID CONDUIT) (FOR DETAILS SEE FIG. 9)	BA	RF
-9C	287T6101-428		WIRE PROV INSTL-L MLG NO BRAKE TEMP, NO BRAKE FAN, NO TIRE PRESSURE IND (0.50 ID CONDUIT) (FOR DETAILS SEE FIG. 9)	AU	RF
-9D	287T6101-461		WIRE PROV INSTL-L MLG NO BRAKE TEMP, NO BRAKE FAN, NO TIRE PRESSURE IND (0.50 ID CONDUIT) (FOR DETAILS SEE FIG. 9)	AW	RF
-9E	287T6101-429		WIRE PROV INSTL-L MLG WITH BRAKE TEMP, NO BRAKE FAN, NO TIRE PRESSURE IND (0.62 ID CONDUIT) (FOR DETAILS SEE FIG. 10)	AQ	RF

32-11-28

ILLUSTRATED PARTS LIST

01.1

Page 1063

Jul 01/03

FIG. & ITEM	PART NO.	AIRLINE PART NUMBER	NOMENCLATURE 1234567	EFF CODE	QTY PER ASSY
01- -9F	287T6101-462		WIRE PROV INSTL-L MLG WITH BRAKE TEMP, NO BRAKE FAN, NO TIRE PRESSURE IND (0.62 ID CONDUIT) (FOR DETAILS SEE FIG. 10)	AS	RF
-9G	287T6101-431		WIRE PROV INSTL-L MLG WITH BRAKE TEMP AND TIRE PRESSURE IND, NO BRAKE FAN (0.62 ID CONDUIT) (FOR DETAILS SEE FIG. 11)	AL	RF
-9H	287T6101-433		WIRE PROV INSTL-L MLG WITH BRAKE TEMP AND BRAKE FAN, NO TIRE PRESSURE IND (0.62 ID CONDUIT) (FOR DETAILS SEE FIG. 11)	AY	RF
-9J	287T6101-464		WIRE PROV INSTL-L MLG WITH BRAKE TEMP AND TIRE PRESSURE IND, NO BRAKE FAN, (0.62 ID CONDUIT) (FOR DETAILS SEE FIG. 11)	AN	RF
-9K	287T6101-403		WIRE PROV INSTL-L MLG NO BRAKE TEMP, NO BRAKE FAN, NO TIRE PRESSURE IND (0.50 ID CONDUIT) (FOR DETAILS SEE FIG. 12)	BJ	RF
-9L	287T6101-415		WIRE PROV INSTL-L MLG WITH BRAKE TEMP AND TIRE PRESSURE IND, NO BRAKE FAN (0.62 ID CONDUIT) (FOR DETAILS SEE FIG. 13)	BL	RF
-11	287T6101-4006		WIRE PROV INSTL-OLEO TO TRUCK R (FOR DETAILS SEE FIG. 3)	F	RF
-11A	287T6101-4014		WIRE PROV INSTL-OLEO TO TRUCK R (FOR DETAILS SEE FIG. 3)	K	RF

32-11-28

ILLUSTRATED PARTS LIST

01.1

Page 1064

Jul 01/03


BOEING
 COMPONENT
 MAINTENANCE MANUAL

FIG. & ITEM	PART NO.	AIRLINE PART NUMBER	NOMENCLATURE 1234567	EFF CODE	QTY PER ASSY
01- -11B	287T6101-435		WIRE PROV INSTL-R MLG NO BRAKE TEMP, NO BRAKE FAN, NO TIRE PRESSURE IND (0.50 ID CONDUIT) (FOR DETAILS SEE FIG. 9)	BB	RF
-11C	287T6101-430		WIRE PROV INSTL-R MLG NO BRAKE TEMP, NO BRAKE FAN, NO TIRE PRESSURE IND (0.50 ID CONDUIT) (FOR DETAILS SEE FIG. 9)	AV	RF
-11D	287T6101-463		WIRE PROV INSTL-R MLG NO BRAKE TEMP, NO BRAKE FAN, NO TIRE PRESSURE IND (0.50 ID CONDUIT) (FOR DETAILS SEE FIG. 9)	AX	RF
-11E	287T6101-432		WIRE PROV INSTL-R MLG WITH BRAKE TEMP, NO BRAKE FAN, NO TIRE PRESSURE IND (0.62 ID CONDUIT) (FOR DETAILS SEE FIG. 10)	AR	RF
-11F	287T6101-465		WIRE PROV INSTL-R MLG WITH BRAKE TEMP, NO BRAKE FAN, NO TIRE PRESSURE IND (0.62 ID CONDUIT) (FOR DETAILS SEE FIG. 10)	AT	RF
-11G	287T6101-434		WIRE PROV INSTL-R MLG WITH BRAKE TEMP AND TIRE PRESSURE IND, NO BRAKE FAN, (0.62 ID CONDUIT) (FOR DETAILS SEE FIG. 11)	AM	RF
-11H	287T6101-436		WIRE PROV INSTL-R MLG BRAKE TEMP, BRAKE FAN, NO TIRE PRESSURE IND STAINLESS STEEL TRUCK TILE SENSORS (0.62 ID CONDUITS) (FOR DETAILS SEE FIG. 11)	AZ	RF

32-11-28

ILLUSTRATED PARTS LIST

01.1

Page 1065

Jul 01/03

FIG. & ITEM	PART NO.	AIRLINE PART NUMBER	NOMENCLATURE 1234567	EFF CODE	QTY PER ASSY
01- -11J	287T6101-466		WIRE PROV INSTL-R MLG BRAKE TEMP, TIRE PRESSURE IND, NO BRAKE FAN STAINLESS STEEL TRUCK TILE SENSORS (0.62 ID CONDUITS) (FOR DETAILS SEE FIG. 11)	AP	RF
-11K	287T6101-404		WIRE PROV INSTL-R MLG NO BRAKE TEMP, NO BRAKE FAN, NO TIRE PRESSURE IND (0.50 ID CINDUIT (FOR DETAILS SEE FIG. 12)	BK	RF
-11L	287T6101-416		WIRE PROV INSTL-R MLG WITH BRAKE TEMP AND TIRE PRESSURE IND, NO BRAKE FAN (0.62 ID CINDUIT (FOR DETAILS SEE FIG. 13)	BM	RF
R -11M	287T6101-467		WIRE PROV INSTL-R MLG NO BRAKE TEMP, NO BRAKE FAN, NO TIRE PRESSURE IND (0.62 ID CONDUIT) (FOR DETAILS SEE FIG. 9)	BY	RF
R -11N	287T6101-468		WIRE PROV INSTL-R MLG BRAKE TEMP AND NO BRAKE FAN, NO TIRE PRESSURE IND (FOR DETAILS SEE FIG. 10)	BZ	RF
R -11P	287T6101-469		WIRE PROV INSTL-R MLG BRAKE TEMP, TIRE PRESSURE IND, NO BRAKE FAN (0.62 ID CONDUIT) (FOR DETAILS SEE FIG. 11)	CA	RF
-13	287T6101-4009		WIRE PROV INSTL-L TRUCK BRAKE TEMP AND NO TPIS (FOR DETAILS SEE FIG. 4)	G	RF
-13A	287T6101-4007		WIRE PROV INSTL-L TRUCK STANDARD (FOR DETAILS SEE FIG. 4)	M	RF
-13B	287T6101-4017		WIRE PROV INSTL-L TRUCK BRAKE TEMP AND NO TPIS	CL	RF

32-11-28

ILLUSTRATED PARTS LIST

01.1

Page 1066

Jul 01/03


BOEING
 COMPONENT
 MAINTENANCE MANUAL

FIG. & ITEM	PART NO.	AIRLINE PART NUMBER	NOMENCLATURE 1234567	EFF CODE	QTY PER ASSY
01- -15	287T6101-4010		WIRE PROV INSTL-R TRUCK BRAKE TEMP AND NO TPIS (FOR DETAILS SEE FIG. 4)	H	RF
-15A	287T6101-4012		WIRE PROV INSTL-R TRUCK BRAKE TEMP AND NO TPIS (FOR DETAILS SEE FIG. 4)	L	RF
-15B	287T6101-4008		WIRE PROV INSTL-R TRUCK STANDARD (FOR DETAILS SEE FIG. 4)	N	RF
-15C	287T6101-4018		WIRE PROV INSTL-R TRUCK BRAKE TEMP AND NO TPIS	CM	RF
-17	287T6101-445		WIRE PROV INSTL-L MLG TORSION LINK (335K-350K GROSS WT) (0.62 ID CONDUIT) (FOR DETAILS SEE FIG. 14)	AB	RF
-17A	287T6101-447		WIRE PROV INSTL-L MLG TORSION LINK (335K-350K GROSS WT) (0.50 ID CONDUIT) (FOR DETAILS SEE FIG. 14)	AD	RF
-17B	287T6101-449		WIRE PROV INSTL-L MLG TORSION LINK (380K-400K GROSS WT) (0.62 ID CONDUIT) (FOR DETAILS SEE FIG. 14)	AF	RF
-17C	287T6101-451		WIRE PROV INSTL-L MLG TORSION LINK (380K-400K GROSS WT) (0.50 ID CONDUIT) (FOR DETAILS SEE FIG. 14)	AH	RF
-17D	287T6101-419		WIRE PROV INSTL-L MLG TORSION LINK (335K-350K GROSS WT) (0.62 ID CONDUIT) (FOR DETAILS SEE FIG. 15)	CC	RF

32-11-28

 ILLUSTRATED PARTS LIST
 01.1 Page 1067
 Jul 01/03

**COMPONENT
MAINTENANCE MANUAL**

FIG. & ITEM	PART NO.	AIRLINE PART NUMBER	NOMENCLATURE 1234567	EFF CODE	QTY PER ASSY
01- -17E	287T6101-421		WIRE PROV INSTL-L MLG TORSION LINK (335K-350K GROSS WT) (0.50 ID CONDUIT) (FOR DETAILS SEE FIG. 15)	CD	RF
-17F	287T6101-423		WIRE PROV INSTL-L MLG TORSION LINK (380K-400K GROSS WT) (0.62 ID CONDUIT) (FOR DETAILS SEE FIG. 15)	CE	RF
-17G	287T6101-425		WIRE PROV INSTL-L MLG TORSION LINK (380K-400K GROSS WT) (0.50 ID CONDUIT) (FOR DETAILS SEE FIG. 15)	CF	RF
-19	287T6101-446		WIRE PROV INSTL-R MLG TORSION LINK (335K-350K GROSS WT) (0.62 ID CONDUIT) (FOR DETAILS SEE FIG. 14)	AC	RF
-19A	287T6101-448		WIRE PROV INSTL-R MLG TORSION LINK (335K-350K GROSS WT) (0.50 ID CONDUIT) (FOR DETAILS SEE FIG. 14)	AE	RF
-19B	287T6101-450		WIRE PROV INSTL-R MLG TORSION LINK (380K-400K GROSS WT) (0.62 ID CONDUIT) (FOR DETAILS SEE FIG. 14)	AG	RF
-19C	287T6101-452		WIRE PROV INSTL-R MLG TORSION LINK (380K-400K GROSS WT) (0.50 ID CONDUIT) (FOR DETAILS SEE FIG. 14)	AJ	RF

32-11-28

ILLUSTRATED PARTS LIST

01.1

Page 1068

Jul 01/03


BOEING
 COMPONENT
 MAINTENANCE MANUAL

FIG. & ITEM	PART NO.	AIRLINE PART NUMBER	NOMENCLATURE 1234567	EFF CODE	QTY PER ASSY
01- -19D	287T6101-472		WIRE PROV INSTL-R MLG TORSION LINK (380K-400K GROSS WT) (0.50 ID CONDUIT FWD TRUCK, 0.62 ID CONDUIT AFT TRUCK) (FOR DETAILS SEE FIG. 14)	AK	RF
20	NAS6705PU5		.BOLT	A,B,C N,CP	6
-20A	NAS6705PU3		DELETED		
R -20B	NAS6703PU3		.BOLT	CQ-CT ,CW,C X	6
25	NAS1149E0332R		.WASHER	A,B,C N-CT, CW,CX	6
30	BACB28Z3-012		.BUSHING	A,B,C N,CP	6
35	287T6115-4001		.BRACKET ASSY	A,CN	1
37	287T6115-4005		.BRACKET ASSY	CQ,CS	1
R -37A	287T6115-4009		.BRACKET ASSY	CW	1
-40	287T6115-4002		.BRACKET ASSY	B,CP	1
-42	287T6115-4006		.BRACKET ASSY	CR,CT	1
R -42A	287T6115-4010		.BRACKET ASSY	CX	1
45	BACR15CE3M3R		..RIVET- (SIZE DETERMINE ON INST)	A,B,C N,CP	12
47	NAS1200-3		..RIVET- (SIZE DETERMINE ON INST)	CQ-CT ,CW,C X	12

32-11-28

ILLUSTRATED PARTS LIST

01.1

Page 1069

Jul 01/03

FIG. & ITEM	PART NO.	AIRLINE PART NUMBER	NOMENCLATURE 1234567	EFF CODE	QTY PER ASSY
01-50	BRFM20C3M		. .NUTPLATE- (V52828) (SPEC BACN10JN3CM) (OPT MF53050-3DL (V15653)) (OPT MF1001-3BAC (V15653)) (OPT NS103218SE02 (V80539)) (OPT VN252D02 (V92215)) (OPT 109F9201M3 (V72962)) (OPT T8125C3C (V11815))	A,B,C N,CP	6
52	BRFM20C3M		. .NUTPLATE- (V52828) (SPEC BACN10JN3CM) (OPT MF53050-3DL (V15653)) (OPT MF1001-3BAC (V15653)) (OPT NS103218SE02 (V80539)) (OPT VN252D02 (V92215)) (OPT 109F9201M3 (V72962)) (OPT T8125C3C (V11815))	CQ-CT ,CW,C X	6

32-11-28

 ILLUSTRATED PARTS LIST
 01.1 Page 1070
 Jul 01/03


BOEING
 COMPONENT
 MAINTENANCE MANUAL

FIG. & ITEM	PART NO.	AIRLINE PART NUMBER	NOMENCLATURE 1234567	EFF CODE	QTY PER ASSY
01-					
55	287T6115-4003		..BRACKET	A,CN	1
57	287T6115-4007		..BRACKET	CQ,CS	1
R -57A	287T6115-4011		..BRACKET	CW	1
-60	287T6115-4004		..BRACKET	B,CP	1
-62	287T6115-4008		..BRACKET	CR,CT	1
R -62A	287T6115-4012		..BRACKET	CX	1
65	BACS12GU6K13		.SCREW	A,B,C N,CP	1
70	BACW10BP6DP		.WASHER	A,B,C N,CP	1
75	BACW10BP9DP		.WASHER	A,B,C N,CP	1
80	BACW10P378L		.WASHER	A,B,C N,CP	1
85	BACB28AK06-028		.BUSHING	A,B,C N,CP	1
90	NAS1149D0632J		.WASHER	A,B,C N,CP	1
95	BRH10C6D		.NUT- (V52828) (SPEC BACN10JC6CD) (OPT H51650-6BAC (V15653))	A,B,C N,CP	1
100	287T6111-4003		.BRACKET ASSY	A,B,C N,CP	1
102	BRH10C4D		..NUT- (V52828) (SPEC BACN10JC4CD) (OPT T6C428JCD (V11815)) (OPT NS202486-048 (V80539)) (OPT 102LH9075-4W (V72962)) (OPT H51650-4BAC (V15653))	A,B,C N,CP	2

32-11-28

ILLUSTRATED PARTS LIST

01.1

Page 1071

Jul 01/03

FIG. & ITEM	PART NO.	AIRLINE PART NUMBER	NOMENCLATURE 1234567	EFF CODE	QTY PER ASSY
01-104	NAS1149E0416P		..WASHER	A,B,C N,CP	2
105	BACN10JC4CD		DELETED		
106	287U0066-1		..FAIRLEAD ASSY	A,B,C N,CP	1
108	287U0066-7		...SLEEVING	A,B,C N,CP	1
110	NAS1149E0416P		DELETED		
110A	287U0066-4		...FAIRLEAD	A,B,C N,CP	1
112	287T6111-4017		..BRACKET	A,B,C N,CP	1
113	287T6111-4019		..BRACKET	A,B,C N,CP	1
114	BACW10P399CD		.WASHER	CQ-CT ,CW,C X	2
115	287U0066-1		DELETED		
115A	BACB30NR5K11		.BOLT	CQ-CT ,CW,C X	2
116	287T6111-4021		.BRACKET ASSY	CQ,CS ,CW	1
-118	287T6111-4022		.BRACKET ASSY	CR,CT ,CX	1
120	287U0066-7		DELETED		
120A	NAS1149E0432R		..WASHER	CQ-CT ,CW,C X	2
122	BRH10C4M		..NUT- (V52828) (SPEC BACN10JC4CM) (OPT T6C428JM (V11815)) (OPT 97E48 (V80539)) (OPT 109LH9075-4W (V72962)) (OPT VN303D048 (V92215)) (OPT 9NS202101SE048 (VA8053)) (OPT H01-4BAC (V15653))	CQ-CT ,CW,C X	2

32-11-28

 ILLUSTRATED PARTS LIST
 01.1 Page 1072
 Jul 01/03


BOEING
 COMPONENT
 MAINTENANCE MANUAL

FIG. & ITEM	PART NO.	AIRLINE PART NUMBER	NOMENCLATURE 1234567	EFF CODE	QTY PER ASSY
01- 124	287T6151-1		..FAIRLEAD	CQ-CT ,CW,C X	1
125 126	287U0066-4 BACR15BA4ADC		DELETED ..RIVET- (SIZE DETERMINE ON INST)	CQ-CT ,CW,C X	4
128	BRF200C5D		..NUTPLATE- (V52828) (SPEC BACN10JR5CFD) (OPT K51602-5BAC (V15653)) (OPT NS202476-054 (V80539)) (OPT 102F9201-5 (V72962)) (OPT T8092C524CD (V11815))	CQ-CT ,CW,C X	2
130 130A	287T6111-4017 287T6140-15		DELETED ..PLATE-SPACER	CQ-CT ,CW,C X	1
132	BACR15BA6ADC		..RIVET- (SIZE DETERMINE ON INST)	CQ-CT ,CW,C X	6
134	287T6140-16		..CHANNEL	CQ-CT ,CW,C X	1
135 136	287T6111-4019 287T6140-17		DELETED ..BRACKET	CQ,CS ,CW	1

32-11-28

ILLUSTRATED PARTS LIST

01.1

Page 1073

Jul 01/03

FIG. & ITEM	PART NO.	AIRLINE PART NUMBER	NOMENCLATURE 1234567	EFF CODE	QTY PER ASSY
01- -138	287T6140-18		. BRACKET	CR, CT , CX	1
140	BACS12GU3K8		. SCREW	A, B, C N-CT, CW, CX	2
R 141	BACB30NM3K4		. BOLT	A, B, C N-CT, CW, CX	1
R 142	NAS1149D0332J		. WASHER	A, B, C N-CR	3
R 143	BRH10C3D		. NUT- (V52828) (SPEC BACN10JC3CD) (OPT T6C1032JCD (V11815)) (OPT NS202486-02 (V80539)) (OPT 102LH9075-3W (V72962)) (OPT H51650-3BAC (V15653))	A, B, C N-CR	1
145	TA095000227		. CLAMP- (V84971) (SPEC BACC10HT27) (OPT 1068727P (V83930)) (OPT S595-27 (V18076)) (OPT 45SC13H27PB (V22175))	A, B, C N-CT, CW, CX	1

32-11-28

 ILLUSTRATED PARTS LIST
 01.1 Page 1074
 Jul 01/03


BOEING
 COMPONENT
 MAINTENANCE MANUAL

FIG. & ITEM	PART NO.	AIRLINE PART NUMBER	NOMENCLATURE 1234567	EFF CODE	QTY PER ASSY
R 01-147	287T6140-19		.BRACKET	A,CN, CQ,CS ,CW	1
R -148	287T6140-20		.BRACKET	B,CP, CR,CT ,CX	1
150	BACB30NM3K4		.BOLT	A,B,C N-CR	2
155	NAS1149D0332J		.WASHER	A,B,C N-CR	2
160	H52732-3CD		.NUT- (V15653) (SPEC BACN10YR3CD) (OPT PLH53CD (V62554))	A,B,C N-CR	2
165	BACB30NM3K3		.BOLT	A,B,C N-CR	2
170	BACC15AN10		.CLIP	A,B,C N-CR	2
175	BACB19F10S		.BLOCK	A,B,C N-CR	2
180	NAS1149D0332J		.WASHER	A,B,C N-CR	2
185	BRH10C3D		.NUT- (V52828) (SPEC BACN10JC3CD) (OPT T6C1032JCD (V11815)) (OPT NS202486-02 (V80539)) (OPT 102LH9075-3W (V72962)) (OPT H51650-3BAC (V15653))	A,B,C N-CR	2

32-11-28

 ILLUSTRATED PARTS LIST
 01.1 Page 1075
 Jul 01/03

FIG. & ITEM	PART NO.	AIRLINE PART NUMBER	NOMENCLATURE 1234567	EFF CODE	QTY PER ASSY
01-190	TA095000227		.CLAMP- (V84971) (SPEC BACC10HT27) (OPT 1068727P (V83930)) (OPT S595-27 (V18076)) (OPT 45SC13H27PB (V22175))	A,B,C N-CR	1
195	287T6111-4007		.BRACKET	A,B,C N-CR	1
200	3140AB114E		.CLAMP- (V94581) (SPEC BACC10FY114SE) (OPT BC1083-114SE (V14242)) (OPT NE103338-114 (V8W928))	A,B,C N-CT, CW,CX	1
205	BACB30NM3K3		.BOLT	A,B,C N-CR	1
210	NAS1149D0332J		.WASHER	A,B,C N-CR	1
215	JM44LC13WS27R		.CLAMP- (V22175) (SPEC BACC10GE27) (OPT S369WH27 (V18076)) (OPT TA12C32WS27 (V84971)) (OPT 509S27 (V83930))	A,B,C N-CT, CW,CX	1
220	BACS12GU3K12		.SCREW	A,B,C N-CT, CW,CX	4
225	NAS1149D0332J		.WASHER	A,B,C N-CT, CW,CX	4
230	NAS43DD3-13FC		.SPACER	A,B,C N-CR	4
235	287T6104-4001		.HARNESS ASSY- (J3) (REF CMM 32-10-53)	A	1

32-11-28

ILLUSTRATED PARTS LIST

01.1

Page 1076

Jul 01/03


BOEING
 COMPONENT
 MAINTENANCE MANUAL

FIG. & ITEM	PART NO.	AIRLINE PART NUMBER	NOMENCLATURE 1234567	EFF CODE	QTY PER ASSY
01-					
-235A	287T6104-4025		.HARNESS ASSY- (REF CMM 32-10-53)	CN,CQ	1
R -235B	287T6104-4035		.HARNESS ASSY- (REF CMM 32-10-53)	CS,CW	1
-240	287T6104-4002		.HARNESS ASSY- (REF CMM 32-10-53)	B	1
-240A	287T6104-4026		.HARNESS ASSY- (REF CMM 32-10-53)	CP,CR	1
R -240B	287T6104-4036		.HARNESS ASSY- (REF CMM 32-10-53)	CT,CX	1
245	NAS1802-3-8		DELETED		
250	NAS1149E0332R		DELETED		
255	287T6146-11		DELETED		
260	NAS1802-06-6		DELETED		
265	BACN10JC06CM		DELETED		
270	287T6107-4001		DELETED		
-275	287T6107-4002		DELETED		
280	NAS1802-3-8		DELETED		
285	NAS1149E0332R		DELETED		
290	287T6146-11		DELETED		
295	287T6135-1		DELETED		
-300	287T6135-2		DELETED		
305	S287T001-4501		DELETED		
310	6-2S20KC		DELETED		
315	28-12S20KC		DELETED		
320	NAS1801-3-6		DELETED		
325	NAS1149D0363J		DELETED		
330	287T6105-4		DELETED		
335	NAS1802-04-6		DELETED		
340	NAS1149CN416CR		DELETED		

32-11-28

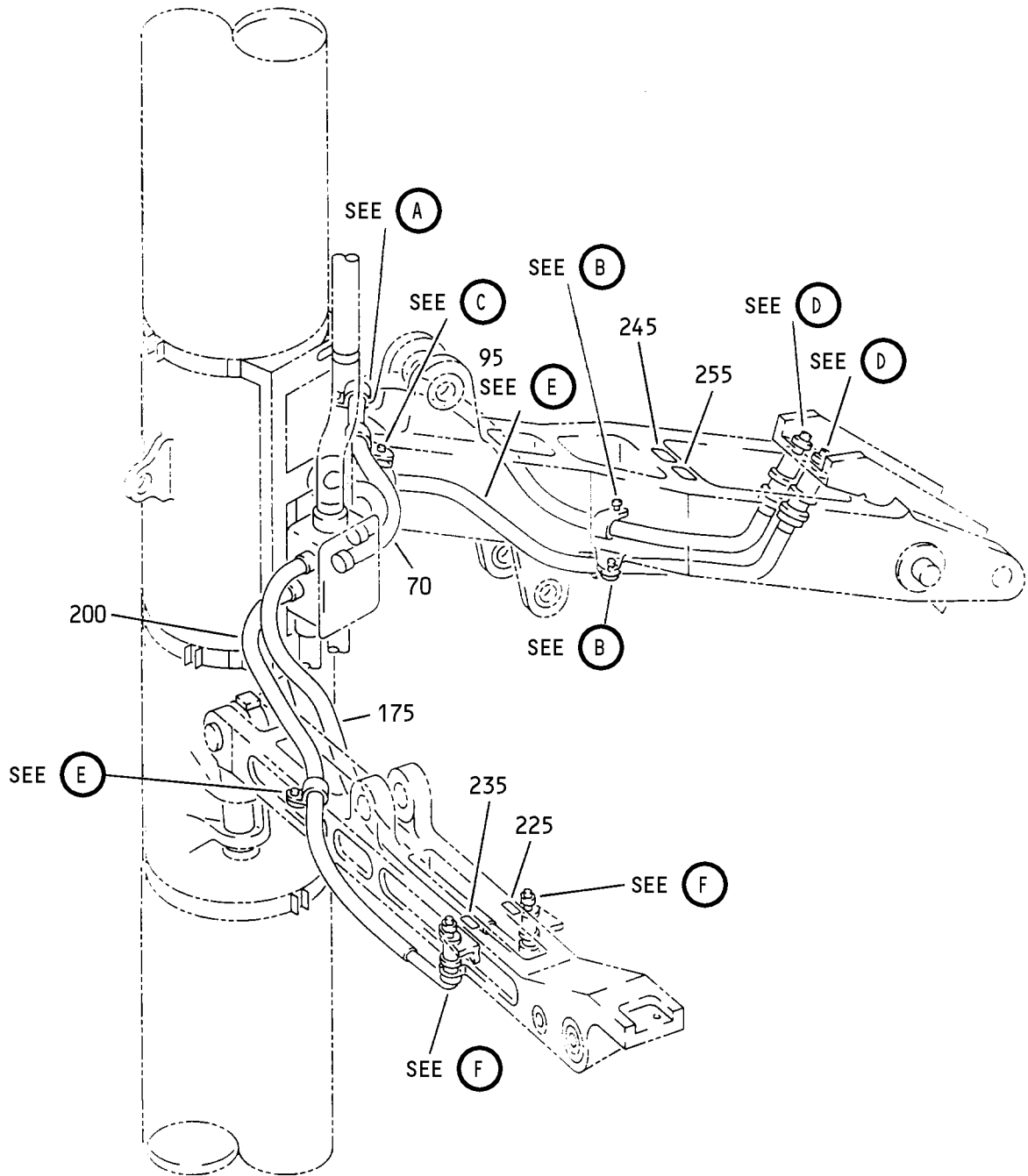
 ILLUSTRATED PARTS LIST
 01.1 Page 1077
 Jul 01/03

FIG. & ITEM	PART NO.	AIRLINE PART NUMBER	NOMENCLATURE 1234567	EFF CODE	QTY PER ASSY
01-					
345	BRH1110C04M		DELETED		
350	NAS1802-06-6		DELETED		
355	NAS1149CN616R		DELETED		
360	BACN10JC06CM		DELETED		
365	287T6105-4001		DELETED		
370	BACR15BB3A		DELETED		
375	BACR15BB6A		DELETED		
380	MF6000-3		DELETED		
385	NAS1149E0316P		DELETED		
390	287T6111-4005		DELETED		
395	287T6119-2		DELETED		
400	287T6105-8		DELETED		
-401	286T0670-OAF		DELETED		
-402	286T0674-OAF		DELETED		
-403	286T0682-OAF		DELETED		
-404	287T0684-OAF		DELETED		
-405	Y8412		.TAPE- (V26066) (OPT ITEMS 405A, 405B)	A,B,C N-CT, CW,CX	AR
-405A	3M5421		.TAPE- (V26066) (OPT ITEMS 405, 405B)	A,B,C N-CT, CW,CX	AR
-405B	7355		.TAPE- (V88301) (OPT ITEMS 405, 405A)	A,B,C N-CT, CW,CX	AR

- Item Not Illustrated

32-11-28

ILLUSTRATED PARTS LIST
 01.1 Page 1078
 Jul 01/03

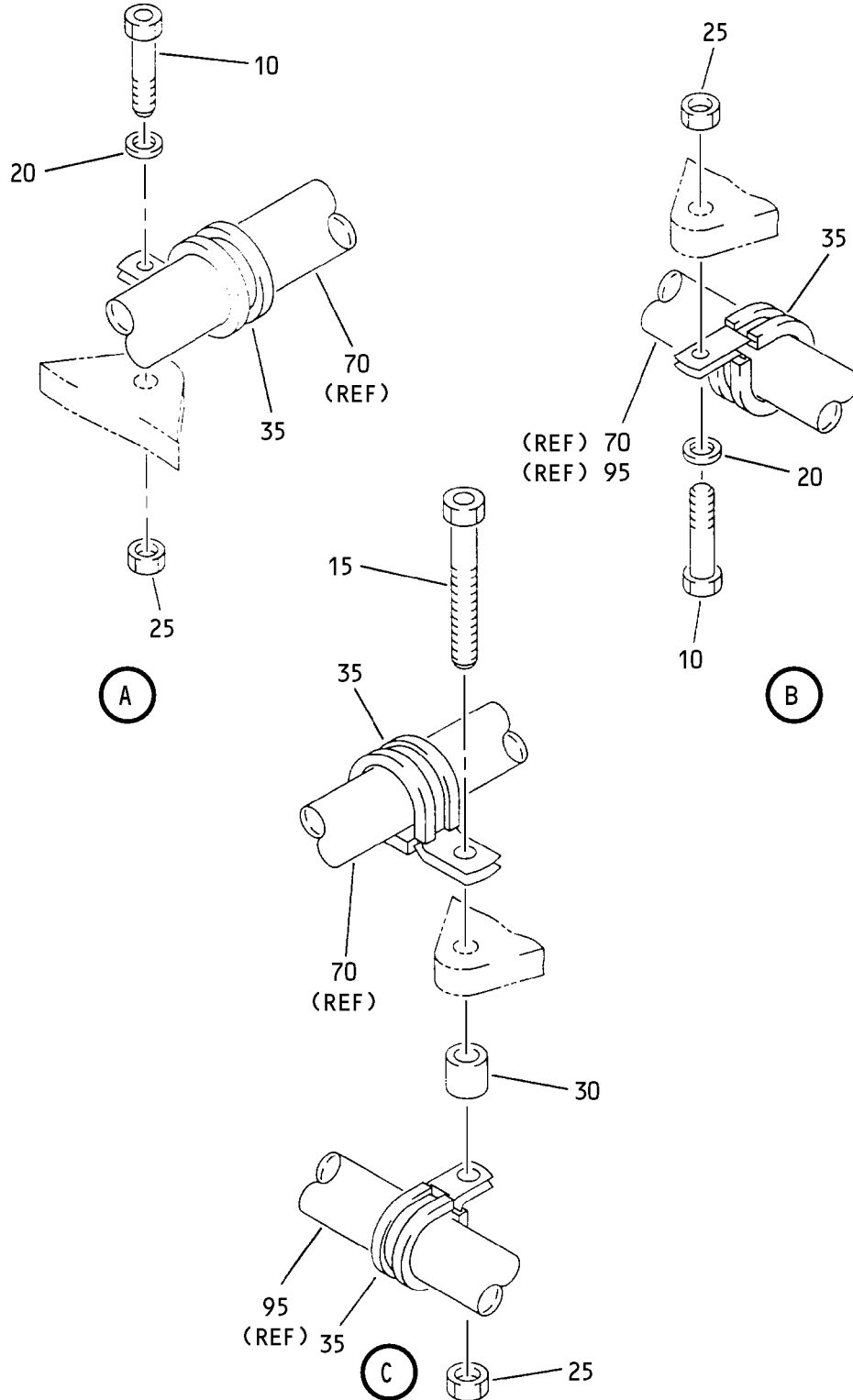


Wire Provision Installation - Side and Drag Brace
 Figure 2 (Sheet 1)

32-11-28

ILLUSTRATED PARTS LIST
 01.1 Page 1080
 Jul 01/03

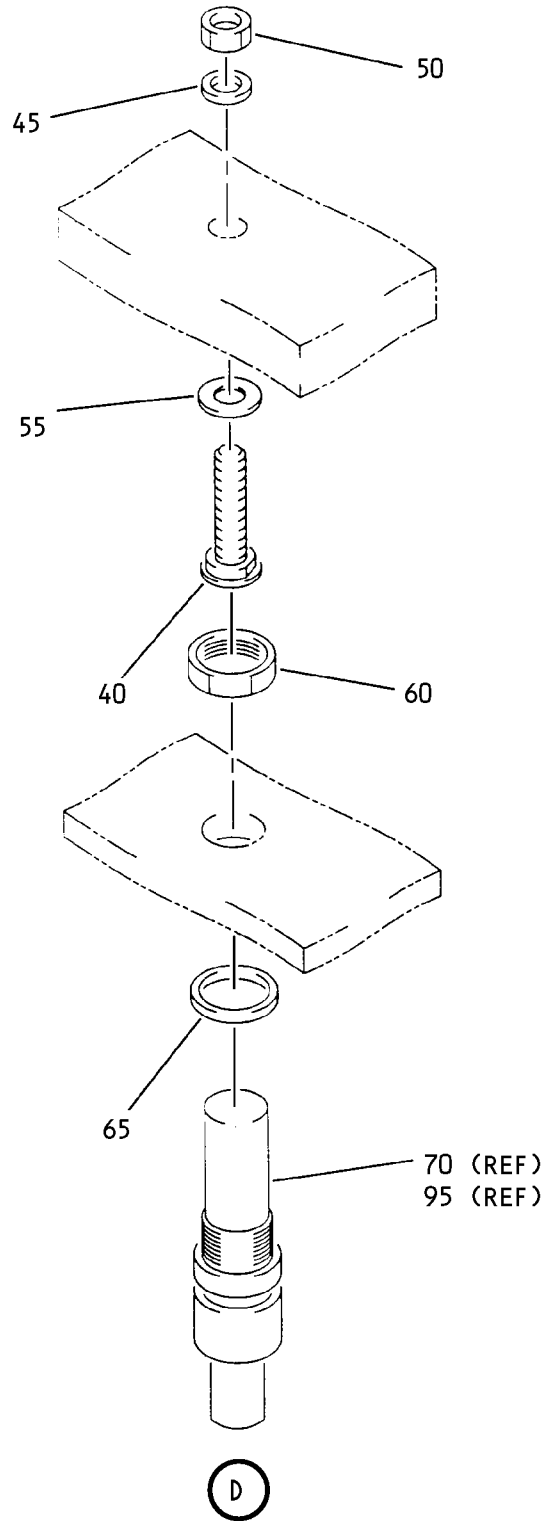
L05904



Wire Provision Installation - Side and Drag Brace
 Figure 2 (Sheet 2)

32-11-28

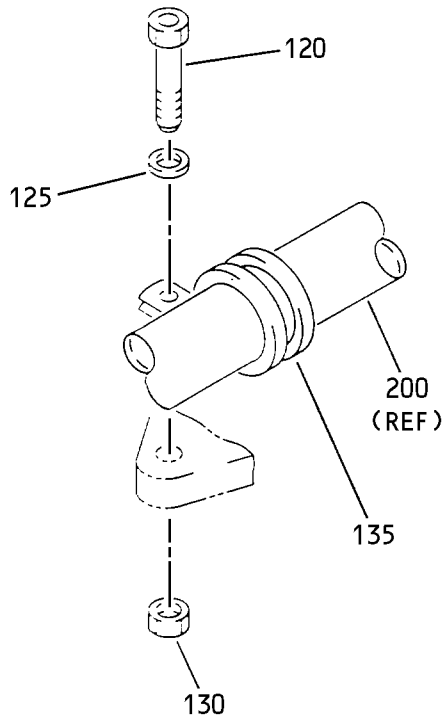
ILLUSTRATED PARTS LIST
 01.1 Page 1080A
 Jul 01/03



Wire Provision Installation - Side and Drag Brace
Figure 2 (Sheet 3)

32-11-28

ILLUSTRATED PARTS LIST
01.1 Page 1080B
Jul 01/03

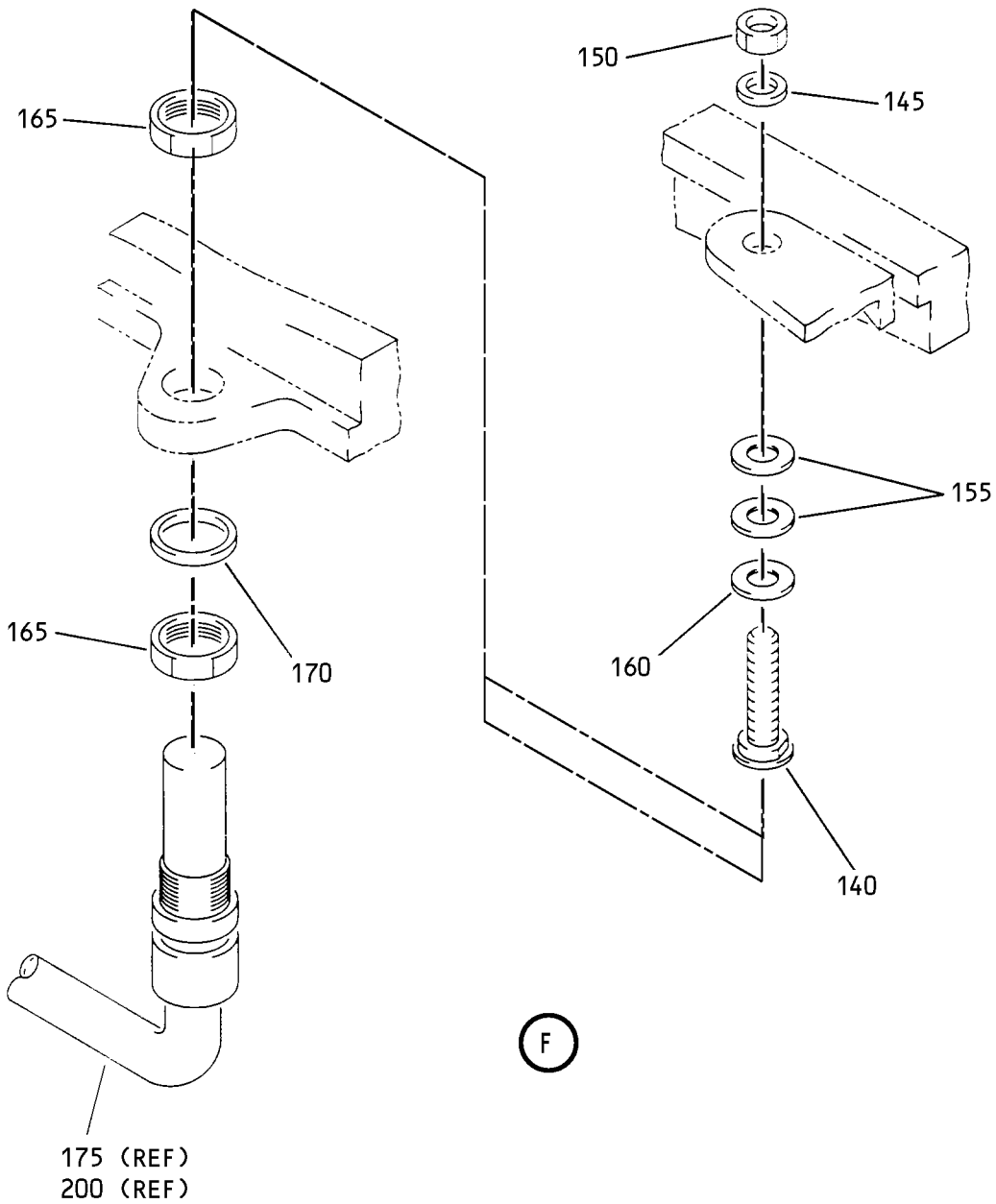


(E)

Wire Provision Installation – Side and Drag Brace
Figure 2 (Sheet 4)

32-11-28

ILLUSTRATED PARTS LIST
01.1 Page 1080C
Jul 01/03



Wire Provision Installation - Side and Drag Brace
Figure 2 (Sheet 5)

32-11-28

ILLUSTRATED PARTS LIST
01.1 Page 1080D
Jul 01/03


BOEING
 COMPONENT
 MAINTENANCE MANUAL

FIG. & ITEM	PART NO.	AIRLINE PART NUMBER	NOMENCLATURE 1234567	EFF CODE	QTY PER ASSY
02- -1	287T6101-4003		WIRE PROV INSTL-SIDE AND DRAG BRACE L	C	RF
-5	287T6101-4004		WIRE PROV INSTL-SIDE AND DRAG BRACE R	D	RF
10	BACB30NM3K5		.BOLT	C,D	3
15	BACB30NM3K11		.BOLT- (V06710) (SPEC BACB30NM3K11)	C,D	1
20	NAS1149D0332J		.WASHER	C,D	3
25	BRH10C3D		.NUT- (V52828) (SPEC BACN10JC3CD) (OPT T6C1032JCD (V11815)) (OPT NS202486-02 (V80539)) (OPT 102LH9075-3W (V72962)) (OPT H51650-3BAC (V15653))	C,D	4
30	NAS43DD3-19FC		.SPACER	C,D	1
35	JM44LC13WD9R		.CLAMP- (V22175) (SPEC BACC10GE9A) (OPT S369WHD9 (V18076)) (OPT TA12C32WD9 (V84971)) (OPT 509A58 (V83930))	C,D	5
40	SL1612001108		.STUD- (V97393) (SPEC BACS30FD1-8)	C,D	2
45	NAS1149D0432J		.WASHER	C,D	2
50	BRH10C4D		.NUT- (V52828) (SPEC BACN10JC4CD) (OPT T6C428JCD (V11815)) (OPT NS202486-048 (V80539)) (OPT 102LH9075-4W (V72962)) (OPT H51650-4BAC (V15653))	C,D	2

32-11-28

 ILLUSTRATED PARTS LIST
 01.1 Page 1080E
 Jul 01/03

FIG. & ITEM	PART NO.	AIRLINE PART NUMBER	NOMENCLATURE 1234567	EFF CODE	QTY PER ASSY
02-					
55	BACS40U4N3A		.SHIM	C,D	2
60	MS21340-25		.NUT	C,D	2
65	MS25081-6		.WASHER	C,D	2
70	287T6104-4003		.HARNASS ASSY-DRAG BRACE, SYS 1, S237 (REF CMM 32-10-53)	C	1
-75	287T6104-4004		.HARNASS ASSY-DRAG BRACE, SYS 1, S241 (REF CMM 32-10-53)	D	1
80	BACC63BP12B3PN		DELETED		
85	S287T001-4503		DELETED		
90	8-876-01		DELETED		
95	287T6104-4007		.HARNASS ASSY-DRAG BRACE, SYS 2, S259 (REF CMM 32-10-53)	C,D	1
-100	287T6104-4008		.HARNASS ASSY-DRAG BRACE, SYS 2, S263 (REF CMM 32-10-53)	C,D	1
105	BACC63BP12B3P7		DELETED		
110	S287T001-4507		DELETED		
115	8-716-01		DELETED		
120	BACB30NM3K5		.BOLT	C,D	1
125	NAS1149D0332J		.WASHER	C,D	1
130	BRH10C3D		.NUT- (V52828) (SPEC BACN10JC3CD) (OPT T6C1032JCD (V11815)) (OPT NS202486-02 (V80539)) (OPT 102LH9075-3W (V72962)) (OPT H51650-3BAC (V15653))	C,D	1

32-11-28

 ILLUSTRATED PARTS LIST
 01.1 Page 1080F
 Jul 01/03


BOEING
 COMPONENT
 MAINTENANCE MANUAL

FIG. & ITEM	PART NO.	AIRLINE PART NUMBER	NOMENCLATURE 1234567	EFF CODE	QTY PER ASSY
02-135	JM44LC13WD9R		.CLAMP- (V22175) (SPEC BACC10GE9A) (OPT S369WHD9 (V18076)) (OPT TA12C32WD9 (V84971)) (OPT 509A58 (V83930))	C,D	1
140	SL1612001107		.STUD- (V97393) (SPEC BACS30FD1-7)	C,D	2
145	NAS1149D0432J		.WASHER	C,D	2
150	BRH10C4D		.NUT- (V52828) (SPEC BACN10JC4CD) (OPT T6C428JCD (V11815)) (OPT NS202486-048 (V80539)) (OPT 102LH9075-4W (V72962)) (OPT H51650-4BAC (V15653))	C,D	2
155	BACS40U4N1A		.SHIM	C,D	4
160	BACS40U4N3A		.SHIM	C,D	2
165	MS21340-25		.NUT	C,D	4
170	MS25081-6		.WASHER	C,D	2
175	287T6104-4005		.HARNES ASSY-SIDE BRACE, SYS 2, S258 (REF CMM 32-10-53)	C	1

32-11-28

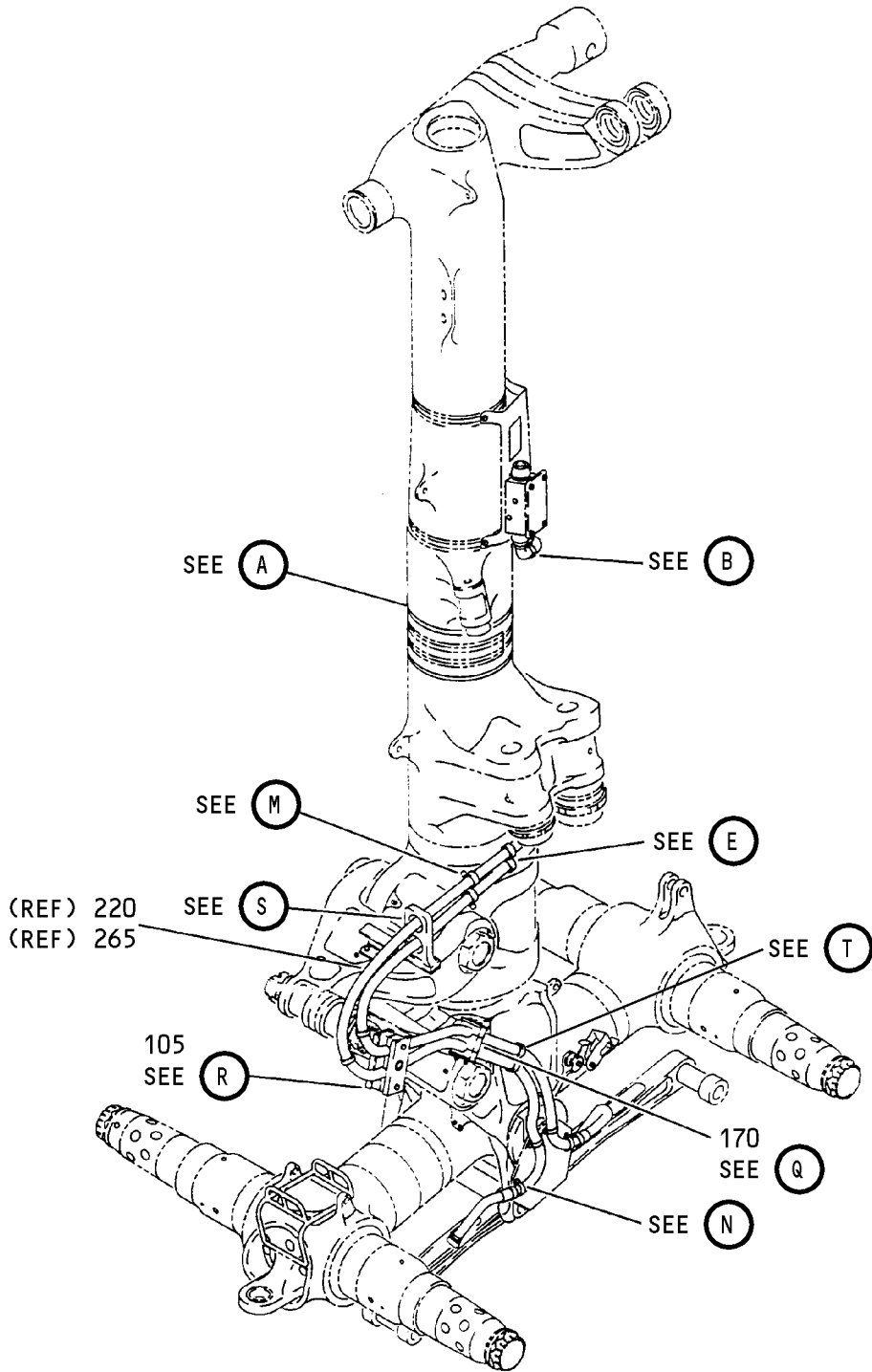
 ILLUSTRATED PARTS LIST
 01.1 Page 1080G
 Jul 01/03

FIG. & ITEM	PART NO.	AIRLINE PART NUMBER	NOMENCLATURE 1234567	EFF CODE	QTY PER ASSY
02- -180	287T6104-4006		.HARNESS ASSY-SIDE BRACE, SYS 2, S262 (REF CMM 32-10-53)	D	1
185	BACC63BP12B3P7		DELETED		
190	S287T001-4505		DELETED		
195	8-716-01		DELETED		
200	287T6104-4009		.HARNESS ASSY-SIDE BRACE, SYS 1, S236 (REF CMM 32-10-53)	C	1
-205	287T6104-4010		.HARNESS ASSY-SIDE BRACE, SYS 1, S240 (REF CMM 32-10-53)	D	1
210	BACC63BP12B3PN		DELETED		
215	S287T0001-4509		DELETED		
220	8-716-01		DELETED		
225	BAC27TEX1137		.MARKER-ALUMINUM FOIL	C	1
-230	BAC27TEX1138		.MARKER-ALUMINUM FOIL	D	1
235	BAC27TEX1139		.MARKER-ALUMINUM FOIL	C	1
-240	BAC27TEX1140		.MARKER-ALUMINUM FOIL	D	1
245	BAC27TEX1141		.MARKER-ALUMINUM FOIL	C	1
-250	BAC27TEX1142		.MARKER-ALUMINUM FOIL	D	1
255	BAC27TEX1143		.MARKER-ALUMINUM FOIL	C	1
-260	BAC27TEX1144		.MARKER-ALUMINUM FOIL	D	1

- Item Not Illustrated

32-11-28

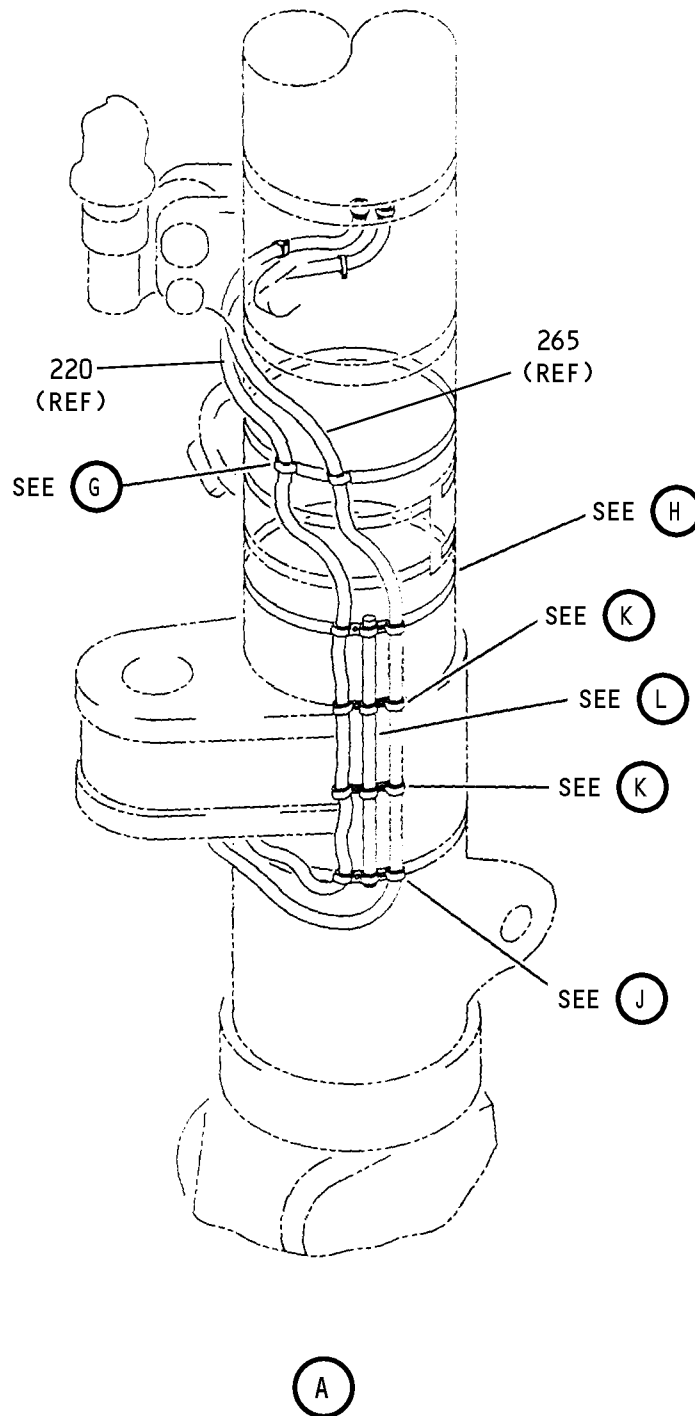
ILLUSTRATED PARTS LIST
 01.1 Page 1080H
 Jul 01/03



Wire Provision Installation - Oleo to Truck
Figure 3 (Sheet 1)

32-11-28

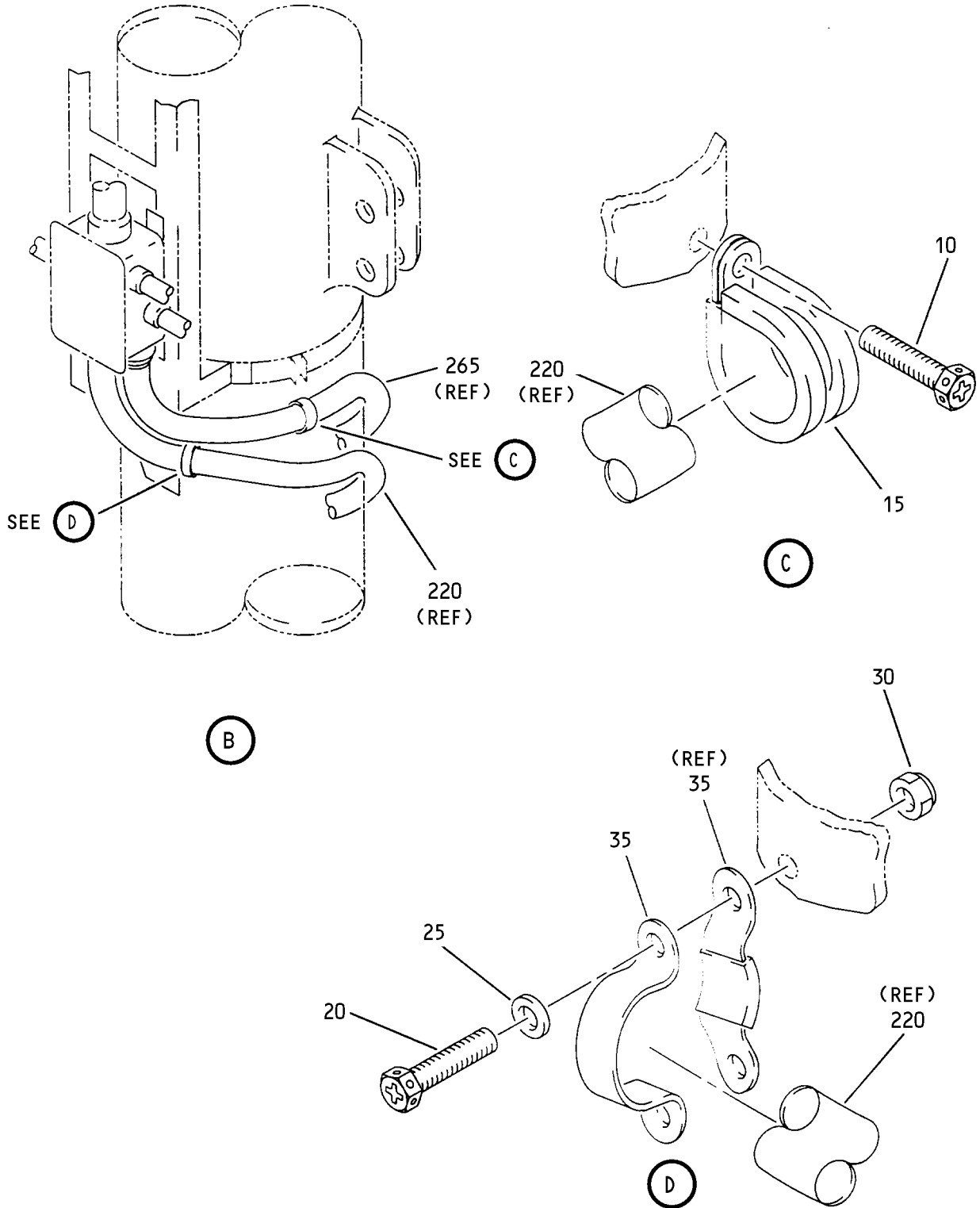
ILLUSTRATED PARTS LIST
01.1 Page 1080I
Jul 01/03



Wire Provision Installation - Oleo to Truck
Figure 3 (Sheet 2)

32-11-28

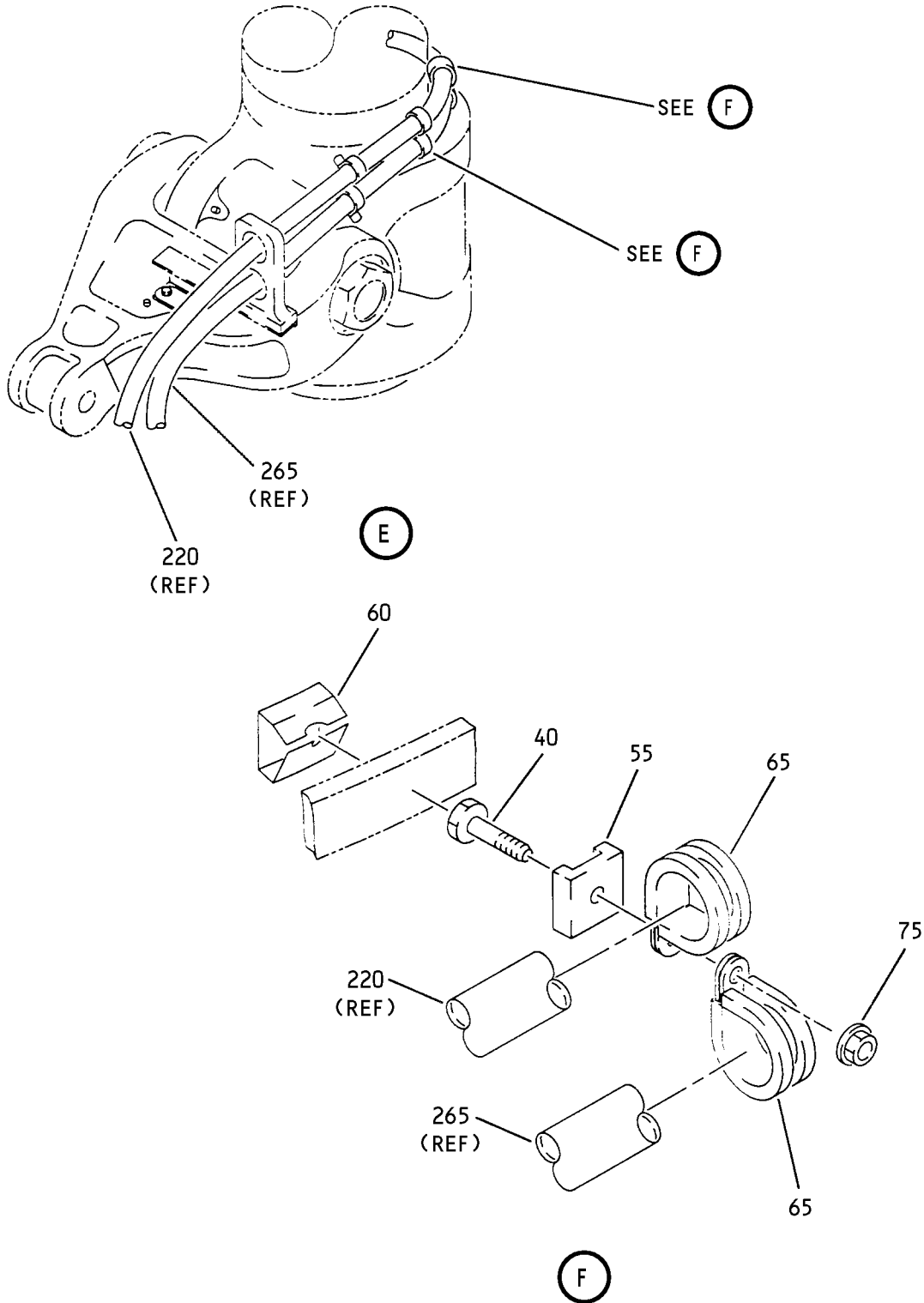
ILLUSTRATED PARTS LIST
01.1 Page 1080J
Jul 01/03



Wire Provision Installation - Oleo to Truck
 Figure 3 (Sheet 3)

32-11-28

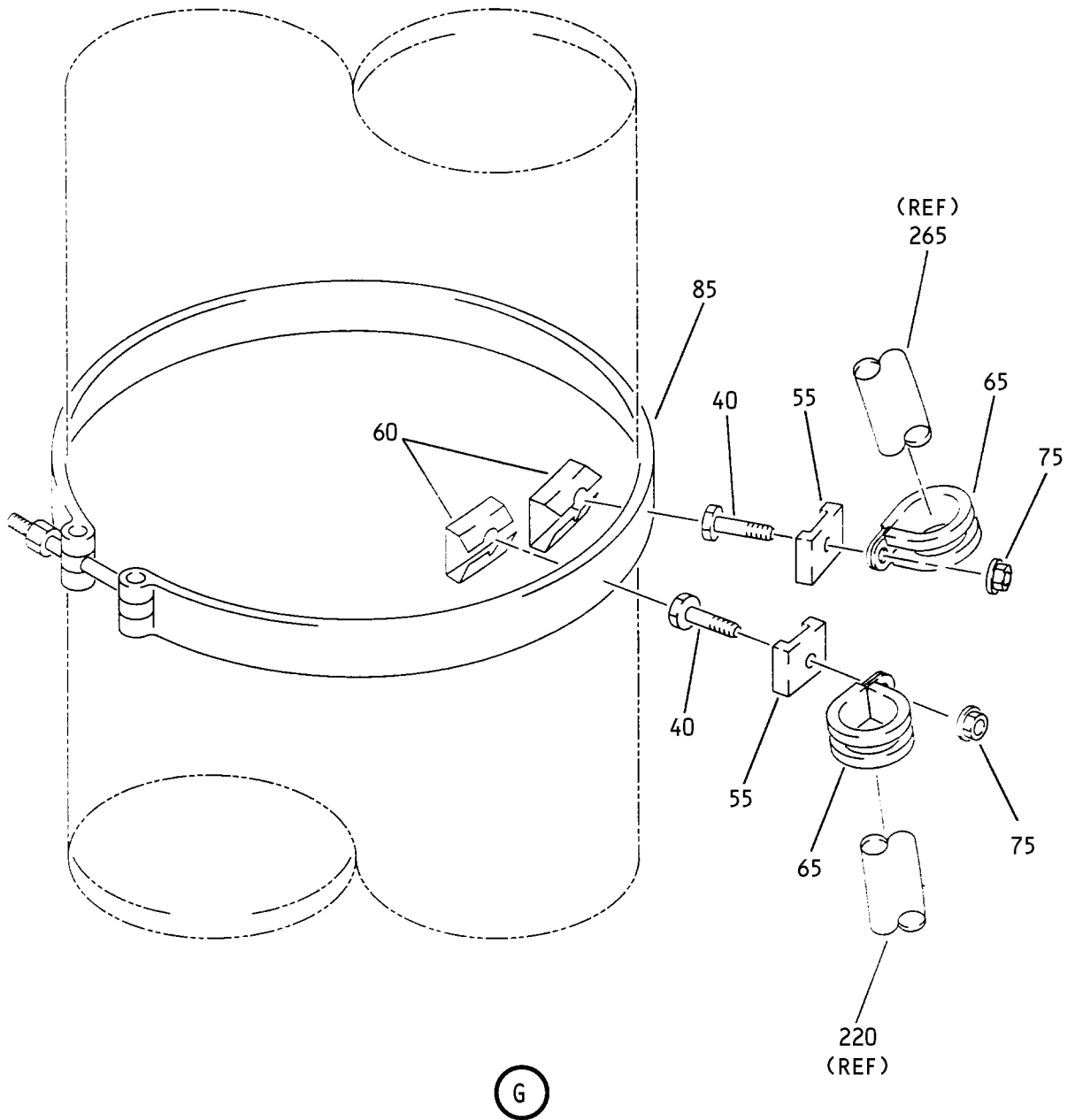
ILLUSTRATED PARTS LIST
 01.1 Page 1080K
 Jul 01/03



Wire Provision Installation - Oleo to Truck
Figure 3 (Sheet 4)

32-11-28

ILLUSTRATED PARTS LIST
01.1 Page 1080L
Jul 01/03

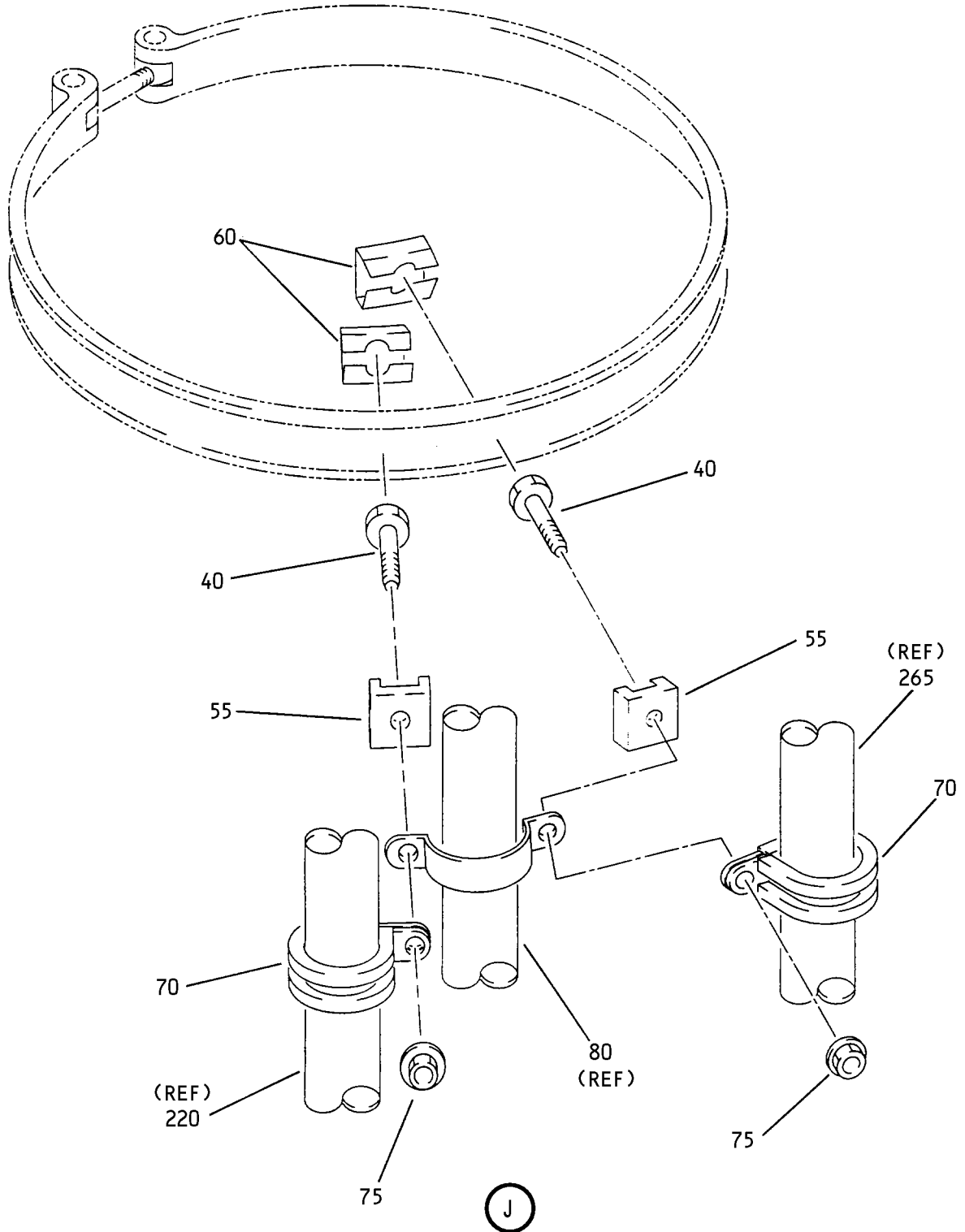


G

Wire Provision Installation - Oleo to Truck
Figure 3 (Sheet 5)

32-11-28

ILLUSTRATED PARTS LIST
01.1 Page 1080M
Jul 01/03

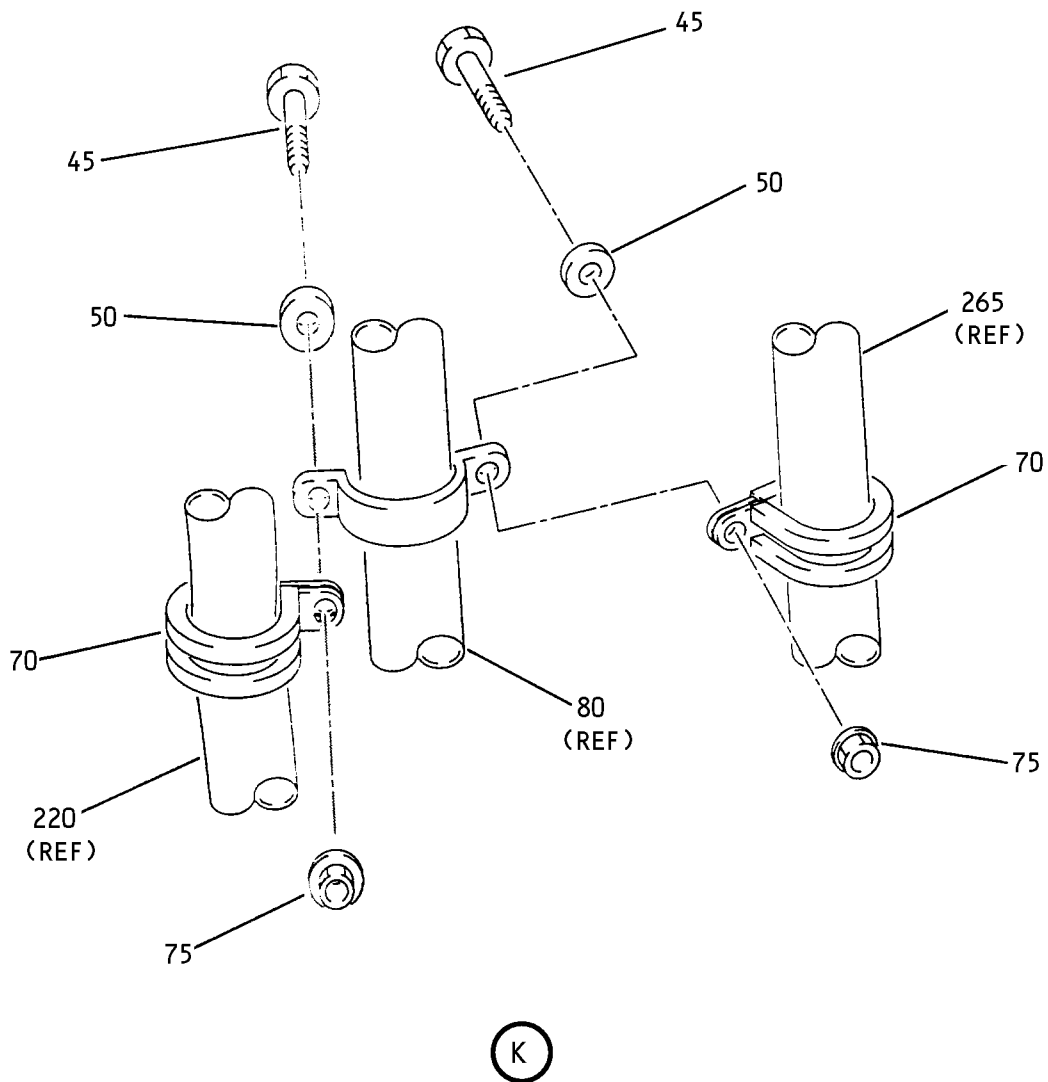


I

Wire Provision Installation - Oleo to Truck
Figure 3 (Sheet 7)

32-11-28

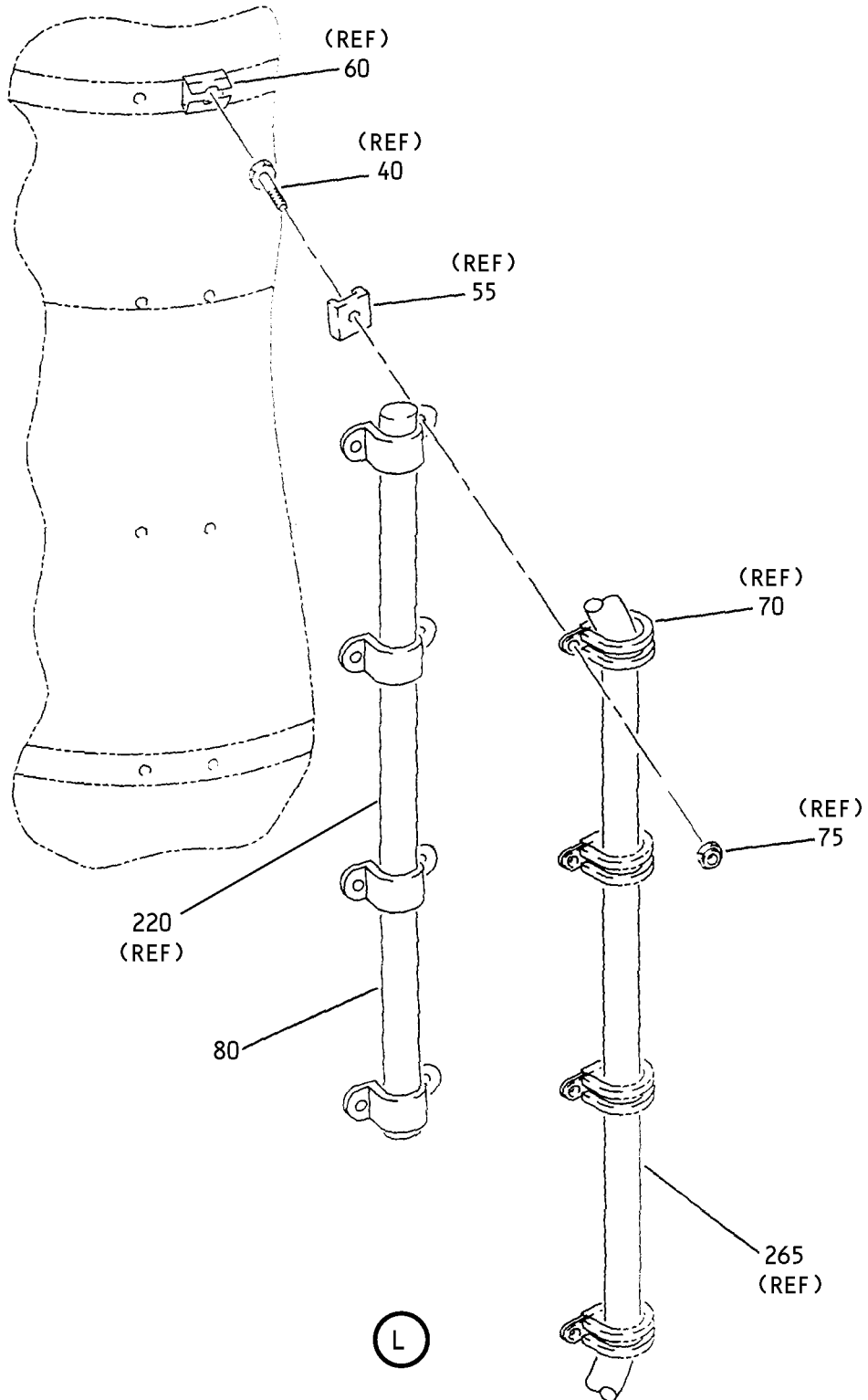
ILLUSTRATED PARTS LIST
01.1 Page 10800
Jul 01/03



Wire Provision Installation - Oleo to Truck
Figure 3 (Sheet 8)

32-11-28

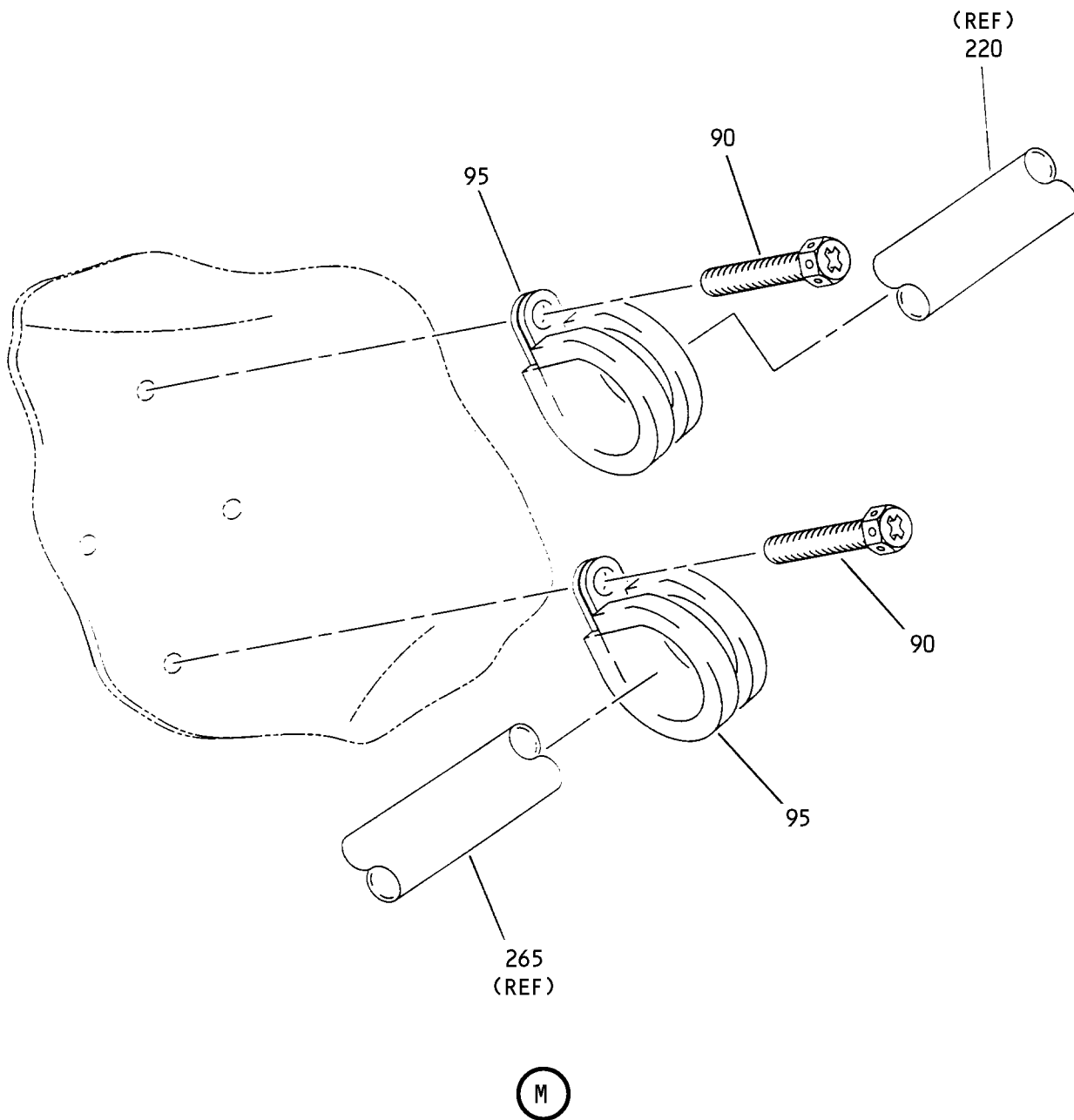
ILLUSTRATED PARTS LIST
01.1 Page 1080P
Jul 01/03



Wire Provision Installation - Oleo to Truck
Figure 3 (Sheet 9)

32-11-28

ILLUSTRATED PARTS LIST
01.1 Page 1080Q
Jul 01/03

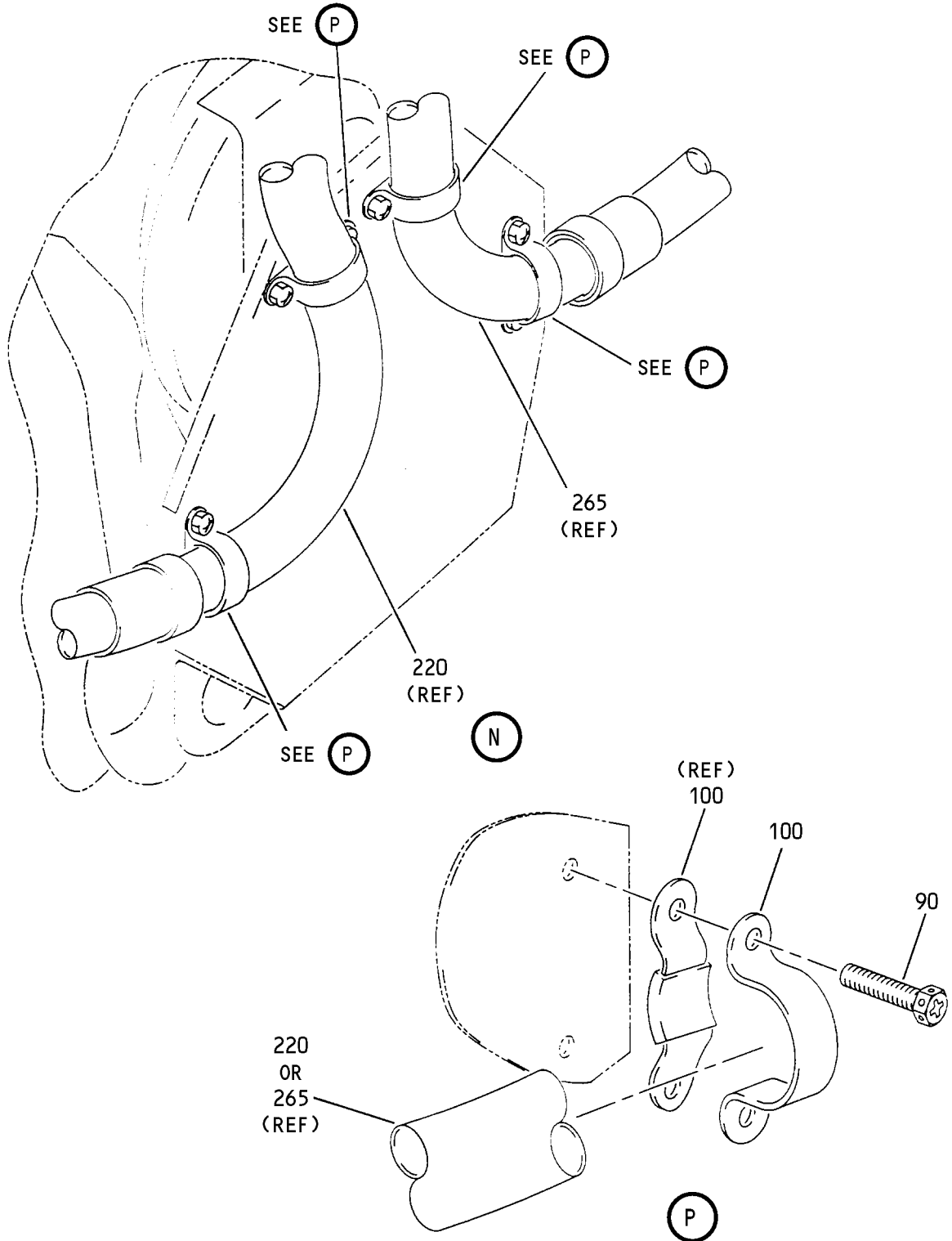


Wire Provision Installation - Oleo to Truck
Figure 3 (Sheet 10)

32-11-28

ILLUSTRATED PARTS LIST
01.1 Page 1080R
Jul 01/03

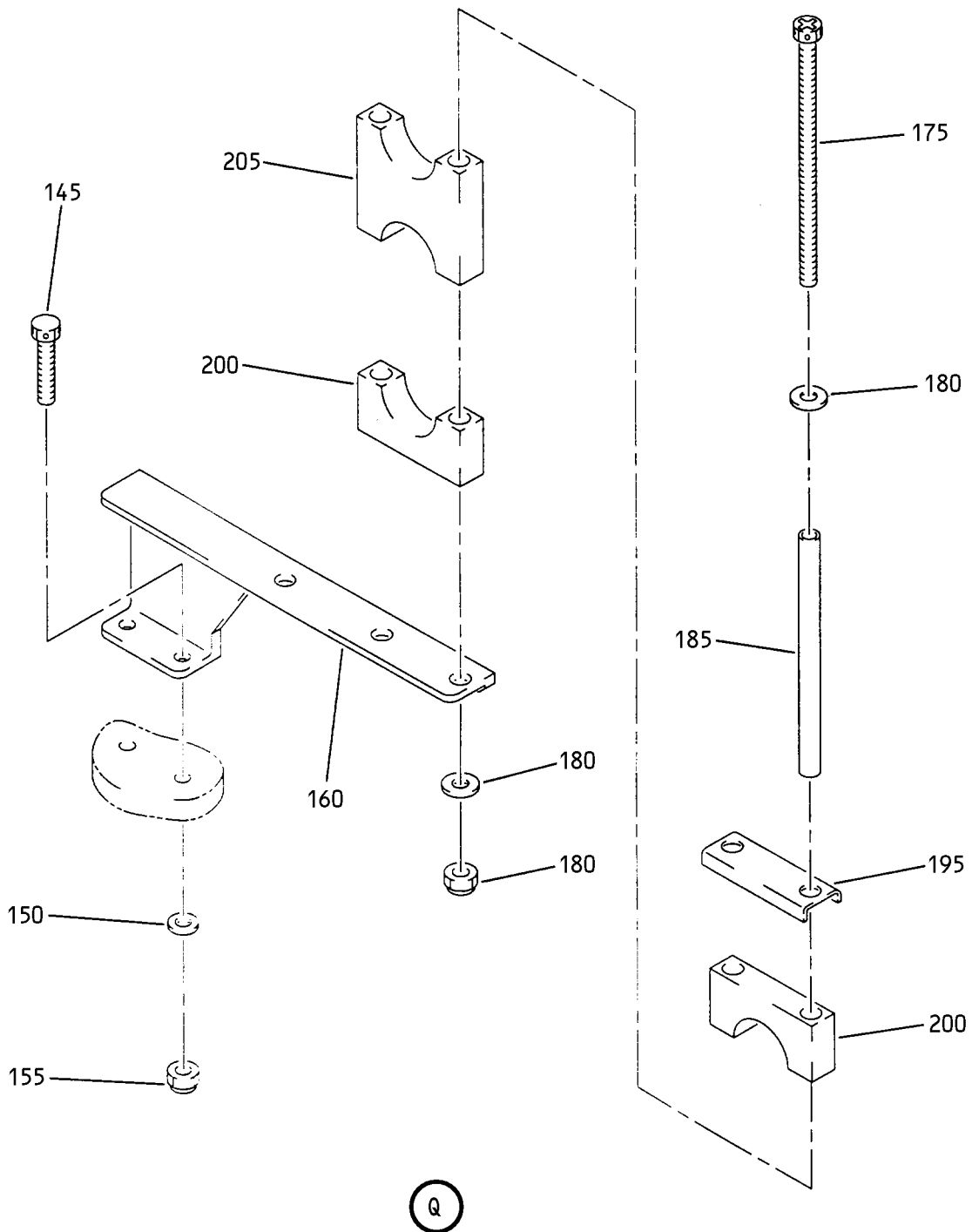
L05456



Wire Provision Installation - Oleo to Truck
Figure 3 (Sheet 11)

32-11-28

ILLUSTRATED PARTS LIST
01.1 Page 1080S
Jul 01/03

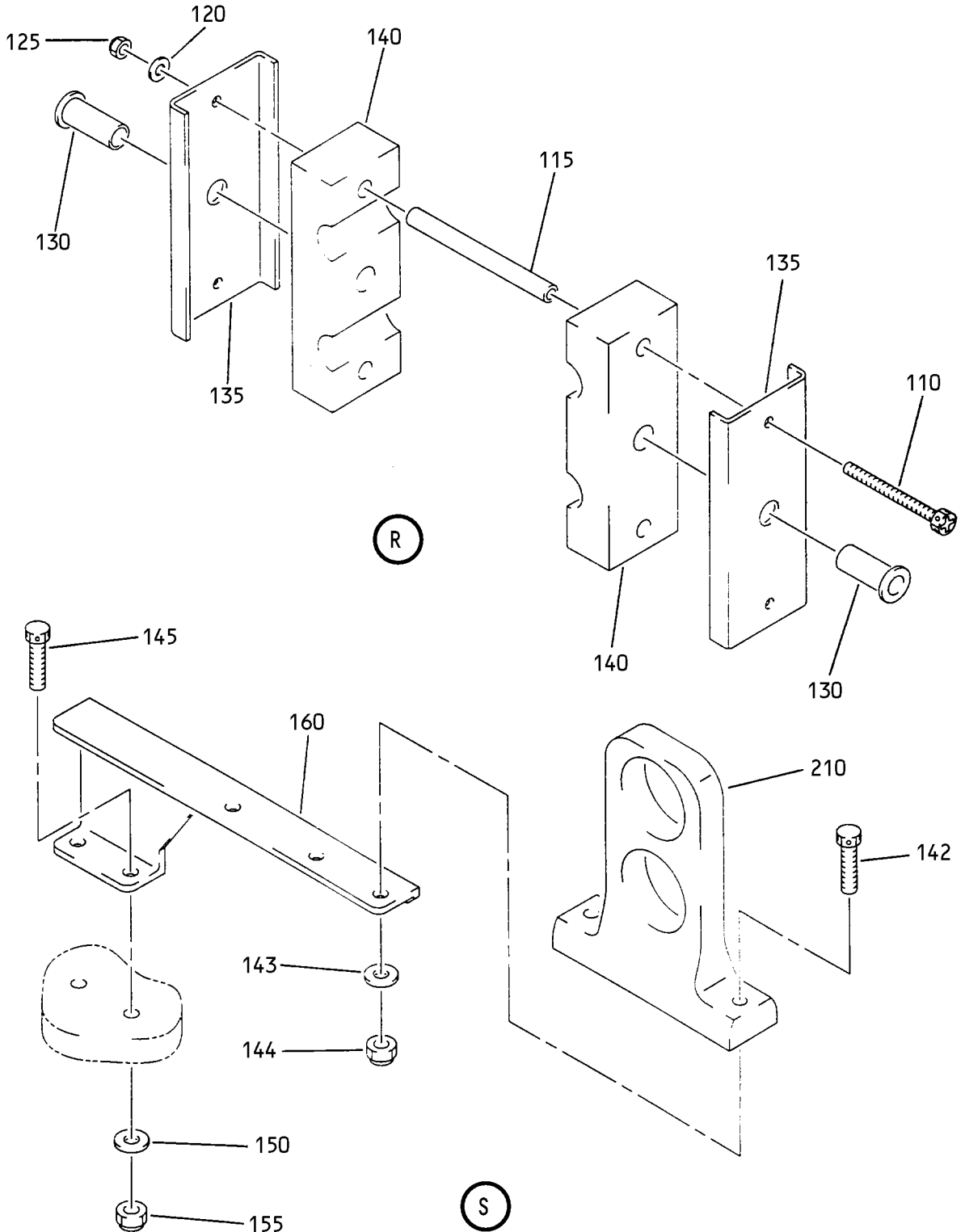


Q

Wire Provision Installation - Oleo to Truck
 Figure 3 (Sheet 12)

32-11-28

ILLUSTRATED PARTS LIST
 01.1 Page 1080T
 Jul 01/03

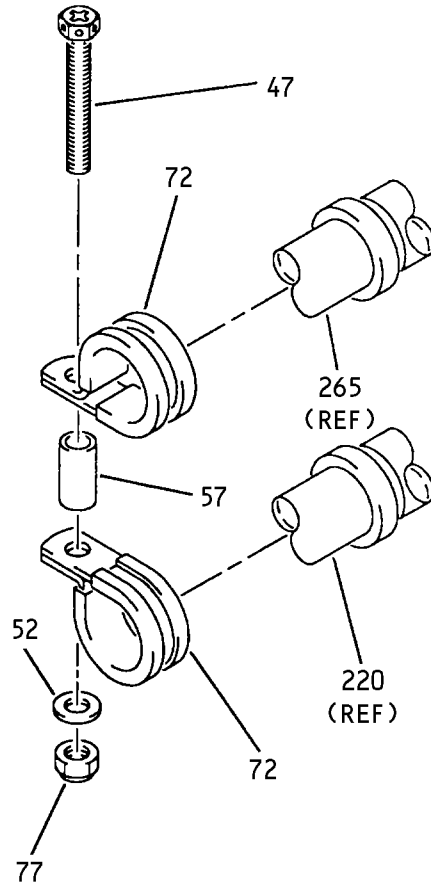


I

Wire Provision Installation - Oleo to Truck
 Figure 3 (Sheet 13)

32-11-28

ILLUSTRATED PARTS LIST
 01.1 Page 1080U
 Jul 01/03



T

Wire Provision Installation - Oleo to Truck
Figure 3 (Sheet 14)

32-11-28

ILLUSTRATED PARTS LIST
01.1 Page 1080V
Jul 01/03


BOEING
 COMPONENT
 MAINTENANCE MANUAL

FIG. & ITEM	PART NO.	AIRLINE PART NUMBER	NOMENCLATURE 1234567	EFF CODE	QTY PER ASSY
03- -1	287T6101-4005		WIRE PROV INSTL-OLEO TO TRUCK L	E	RF
-1A	287T6101-4013		WIRE PROV INSTL-OLEO TO TRUCK L	J	RF
-5	287T6101-4006		WIRE PROV INSTL-OLEO TO TRUCK R	F	RF
-5A	287T6101-4014		WIRE PROV INSTL-OLEO TO TRUCK R	K	RF
10	BACS12GU3K9		.SCREW	E, F, J K	1
15	JM44LC13WD17R		.CLAMP- (V22175) (SPEC BACC10GE17A) (OPT S369WHD17 (V18076)) (OPT TA12C32WD17 (V84971)) (OPT 509A17 (V83930))	E, F, J K	1
20	BACS12GU3K5		.SCREW	E, F, J K	2
25	NAS1149D0332J		.WASHER	E, F, J K	2
30	BRH10C3D		.NUT- (V52828) (SPEC BACN10JC3CD) (OPT T6C1032JCD (V11815)) (OPT NS202486-02 (V80539)) (OPT 102LH9075-3W (V72962)) (OPT H51650-3BAC (V15653))	E, F, J K	2

32-11-28

 ILLUSTRATED PARTS LIST
 01.1 Page 1080W
 Jul 01/03

FIG. & ITEM	PART NO.	AIRLINE PART NUMBER	NOMENCLATURE 1234567	EFF CODE	QTY PER ASSY
03-35	S595-17		.CLAMP- (V18076) (SPEC BACC10HT17) (OPT 44SC13H17PB (V22175)) (OPT 1068717P (V83930)) (OPT TA095000217 (V84971))	E, F, J , K	1
40	BACB30NM3K4		.BOLT	E, F, J , K	8
45	BACS12GU3K7		.SCREW	E, F, J , K	4
47	BACS12GU3K17		.SCREW	J, K	1
50	NAS1149D0332J		.WASHER	E, F, J , K	4
52	NAS1149D0332J		.WASHER	J, K	1
55	BACB19F10S		.BLOCK	E, F, J , K	8
57	NAS43DD3-42FC		.SPACER	J, K	1
60	BACC15AN10		.CLIP	E, F, J , K	8
65	JM44LC13WH17R		.CLAMP- (V22175) (SPEC BACC10GE17C) (OPT S369WHSS17 (V18076)) (OPT TA12C32WH17 (V84971)) (OPT 509SS17 (V83930))	E, F, J , K	6

32-11-28

 ILLUSTRATED PARTS LIST
 01.1 Page 1080X
 Jul 01/03


BOEING
 COMPONENT
 MAINTENANCE MANUAL

FIG. & ITEM	PART NO.	AIRLINE PART NUMBER	NOMENCLATURE 1234567	EFF CODE	QTY PER ASSY
03-70	JM44LC13WD17R		.CLAMP- (V22175) (SPEC BACC10GE17A) (OPT S369WHD17 (V18076)) (OPT TA12C32WD17 (V84971)) (OPT 509A17 (V83930))	E,F,J ,K	8
72	S369WSSH14		.CLAMP- (V18076) (SPEC BACC10GE14C) (OPT 509SS14 (V83930)) (OPT TA12C32WH14 (V84971)) (OPT JM44LC13WH14R (V22175))	J,K	2
75	H52732-3CD		.NUT- (V15653) (SPEC BACN10YR3CD) (OPT PLH53CD (V62554))	E,F,J ,K	12
77	H52732-3CD		.NUT- (V15653) (SPEC BACN10YR3CD) (OPT PLH53CD (V62554))	J,K	1
80	287T6141-17		.SUPPORT ASSY-TUBE	E,F,J ,K	1
85	3140AB127E		.CLAMP- (V94581) (SPEC BACC10FY127SE) (OPT BC1083-127SE (V14242)) (OPT NE103338-127 (V8W928))	E,F,J ,K	2

32-11-28

 ILLUSTRATED PARTS LIST
 01.1 Page 1080Y
 Jul 01/03

FIG. & ITEM	PART NO.	AIRLINE PART NUMBER	NOMENCLATURE 1234567	EFF CODE	QTY PER ASSY
03-90	BACS12GU3K8		. SCREW	E, F, J K	10
95	JM44LC13WD17R		. CLAMP- (V22175) (SPEC BACC10GE17A) (OPT S369WHD17 (V18076)) (OPT TA12C32WD17 (V84971)) (OPT 509A17 (V83930))	E, F, J K	2
100	S595-14		. CLAMP- (V18076) (SPEC BACC10HT14) (OPT 44SC38H14PB (V22175)) (OPT 1068714P (V83930)) (OPT TA095000214 (V84971))	E, F, J K	4
105	287T6138-1		. BLOCK ASSY-CLAMP	E, F, J K	1
110	BACS12GU3K40		.. SCREW	E, F, J K	2
115	NAS43DD3-128FC		.. SPACER	E, F, J K	2
120	NAS1149D0316J		.. WASHER	E, F, J K	2
125	BRH10C3D		.. NUT- (V52828) (SPEC BACN10JC3CD) (OPT T6C1032JCD (V11815)) (OPT NS202486-02 (V80539)) (OPT 102LH9075-3W (V72962)) (OPT H51650-3BAC (V15653))	E, F, H J	2
130	BACB28X9M009		.. BUSHING	E, F, J K	2
135	287T6138-5		.. CHANNEL	E, F, J K	2
140	287T6138-3		.. BLOCK-CLAMP	E, F, J K	2

32-11-28

 ILLUSTRATED PARTS LIST
 01.1 Page 1080Z
 Jul 01/03


BOEING
 COMPONENT
 MAINTENANCE MANUAL

FIG. & ITEM	PART NO.	AIRLINE PART NUMBER	NOMENCLATURE 1234567	EFF CODE	QTY PER ASSY
R 03-142	BACB30NM5K14		.BOLT	E,F,J K	2
R 143	NAS1149D0532J		.WASHER	E,F,J K	4
R 144	BRH10C5D		.NUT- (V52828) (SPEC BACN10JC5CD) (OPT T6C524JCD (V11815)) (OPT 102LH9075-5W (V72962)) (OPT H51650-5BAC (V15653))	E,F,J K	2
145	BACB30NM4K12		.BOLT	E,F,J K	4
150	NAS1149D0432J		.WASHER	E,F,J K	8
155	BRH10C4D		.NUT- (V52828) (SPEC BACN10JC4CD) (OPT T6C428JCD (V11815)) (OPT NS202486-048 (V80539)) (OPT 102LH9075-4W (V72962)) (OPT H51650-4BAC (V15653))	E,F,J K	4
160	287T6136-1		.BRACKET	E,J	2
-165	287T6136-2		.BRACKET	F,K	2
170	287T6138-7		.BLOCK ASSY-CLAMP	E,F,J K	1
175	BACS12GU3K65		..SCREW	E,F,J K	2

32-11-28

ILLUSTRATED PARTS LIST

01.1

Page 1081

Jul 01/03

FIG. & ITEM	PART NO.	AIRLINE PART NUMBER	NOMENCLATURE 1234567	EFF CODE	QTY PER ASSY
03-180	NAS1149D0316J		..WASHER	E,F,J K	4
185	NAS43DD3-219FC		..SPACER	E,F,J K	2
190	BRH10C3D		..NUT- (V52828) (SPEC BACN10JC3CD) (OPT T6C1032JCD (V11815)) (OPT NS202486-02 (V80539)) (OPT 102LH9075-3W (V72962)) (OPT H51650-3BAC (V15653))	E,F,J K	2
195	272W9102-22		..CHANNEL	E,F,J K	1
200	287T6138-9		..BLOCK-CLAMP	E,F,J K	2
205	287T6138-11		..BLOCK-CLAMP	E,F,J K	1
210	287T6137-1		.GUIDE-CONDUIT	E,F,J K	1
-215	Y8412		.TAPE- (V26066) (OPT ITEMS 215A, 215B)	E,F,J K	AR
-215A	3M5421		.TAPE- (V26066) (OPT ITEMS 215, 215B)	E,F,J K	AR
-215B	7355		.TAPE- (V88301) (OPT ITEMS 215, 215A)	E,F,J K	AR

32-11-28

 ILLUSTRATED PARTS LIST
 01.1 Page 1082
 Jul 01/03

BOEING
 COMPONENT
 MAINTENANCE MANUAL

FIG. & ITEM	PART NO.	AIRLINE PART NUMBER	NOMENCLATURE 1234567	EFF CODE	QTY PER ASSY
03-220	287T6104-4011		.HARNES ASSY-L GR, LWR OLEO TO AFT TRUCK (REF CMM 32-10-53)	E,J	1
-225	287T6104-4012		.HARNES ASSY-R GR, LWR OLEO TO AFT TRUCK (REF CMM 32-10-53)	F,K	1
230	S287T001-4511		DELETED		
230A	254871-4511		DELETED		
235	287T6139-3		DELETED		
-240	287T6139-4		DELETED		
245	S287T001-4515		DELETED		
245A	254871-4515		DELETED		
250	287T6139-5		DELETED		
255	S287T001-4519		DELETED		
255A	254871-4519		DELETED		
-260	287T6104-18		DELETED		
-262	286T1514-0AF		DELETED		
-262A	286T1521-0AF		DELETED		
265	287T6104-4013		.HARNES ASSY-L GR, LWR OLEO TO FWD TRUCK (REF CMM 32-10-53)	E,J	1
-270	287T6104-4014		.HARNES ASSY-R GR, LWR OLEO TO FWD TRUCK (REF CMM 32-10-53)	F,K	1
275	S287T001-4513		DELETED		
275A	254871-4513		DELETED		
280	287T6139-1		DELETED		
-285	287T6139-2		DELETED		
290	S287T001-4517		DELETED		
290A	254871-4517		DELETED		
295	287T6139-5		DELETED		
300	S287T001-4521		DELETED		
300A	254871-4521		DELETED		
-305	287T6104-18		DELETED		

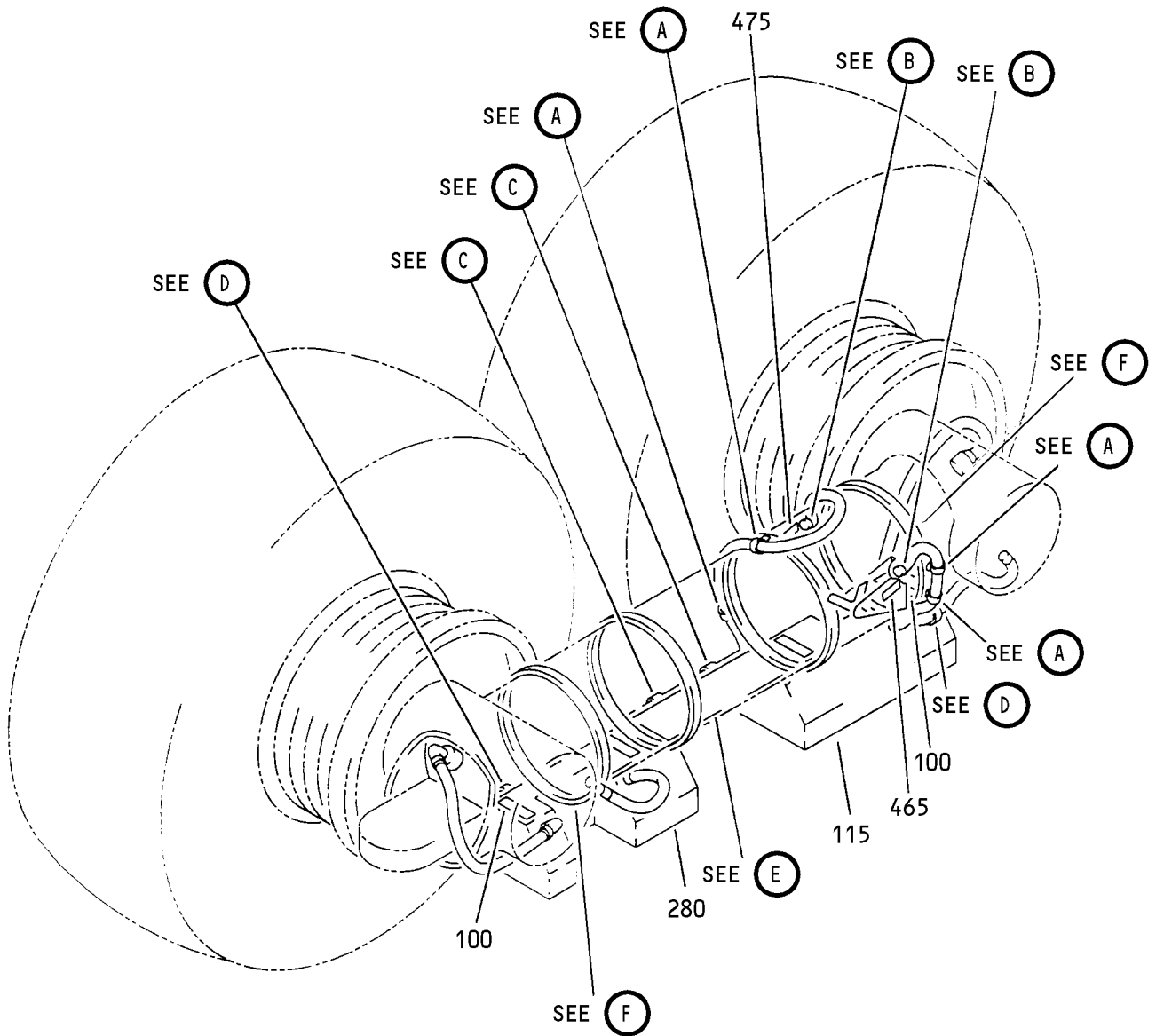
32-11-28

ILLUSTRATED PARTS LIST
 01.1 Page 1082A
 Jul 01/03

FIG. & ITEM	PART NO.	AIRLINE PART NUMBER	NOMENCLATURE	EFF CODE	QTY PER ASSY
			1234567		
03- -310 -310A	286T1522-OAF 286T1512-OAF		DELETED DELETED		

- Item Not Illustrated

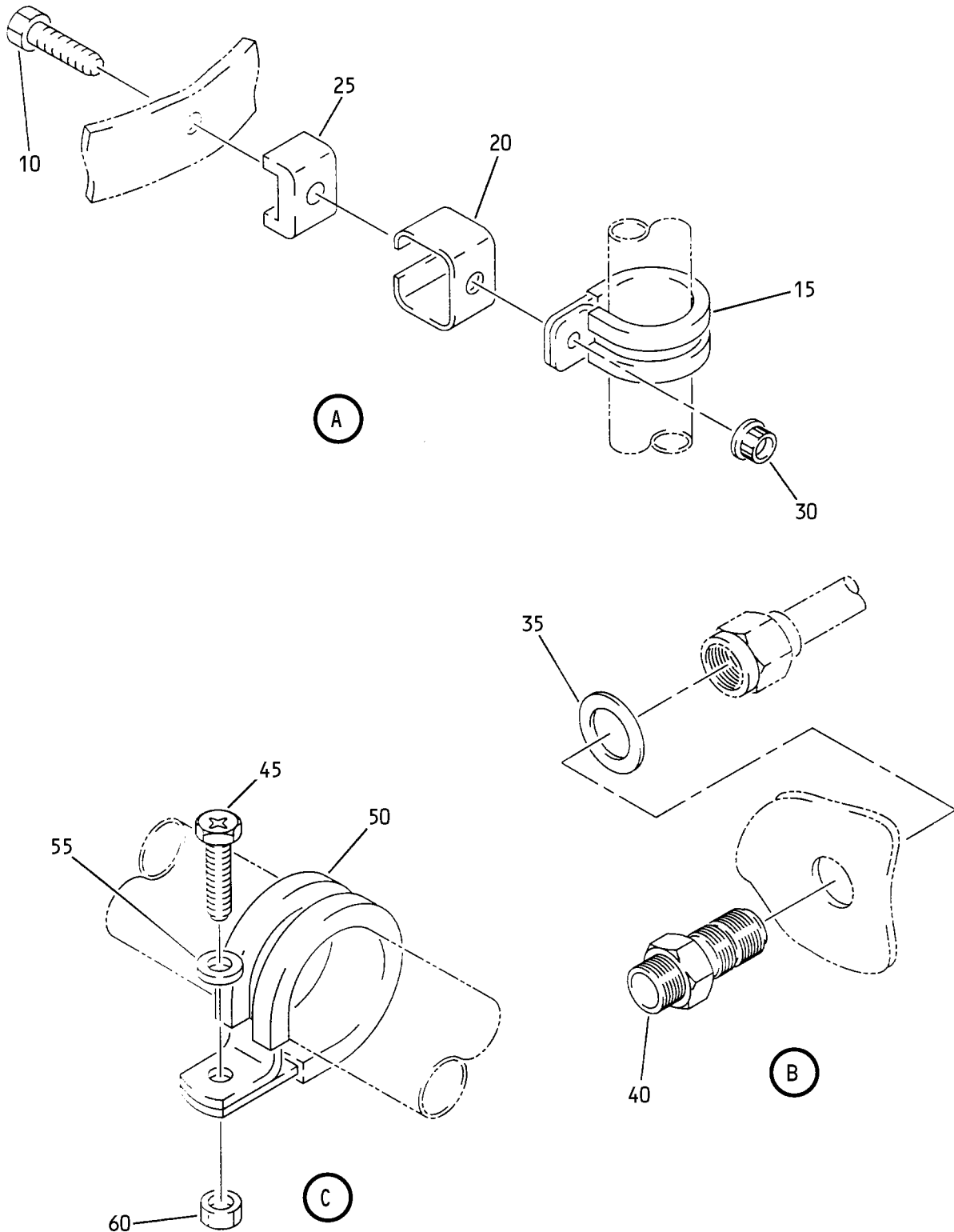
32-11-28



Truck Wire Provision Installation
Figure 4 (Sheet 1)

32-11-28

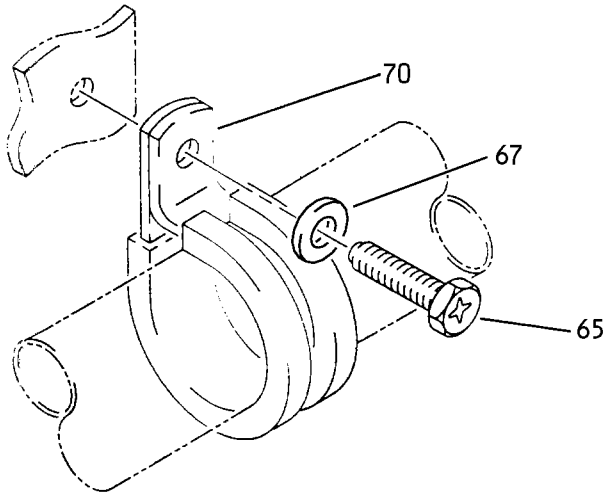
ILLUSTRATED PARTS LIST
01.1 Page 1082C
Jul 01/03



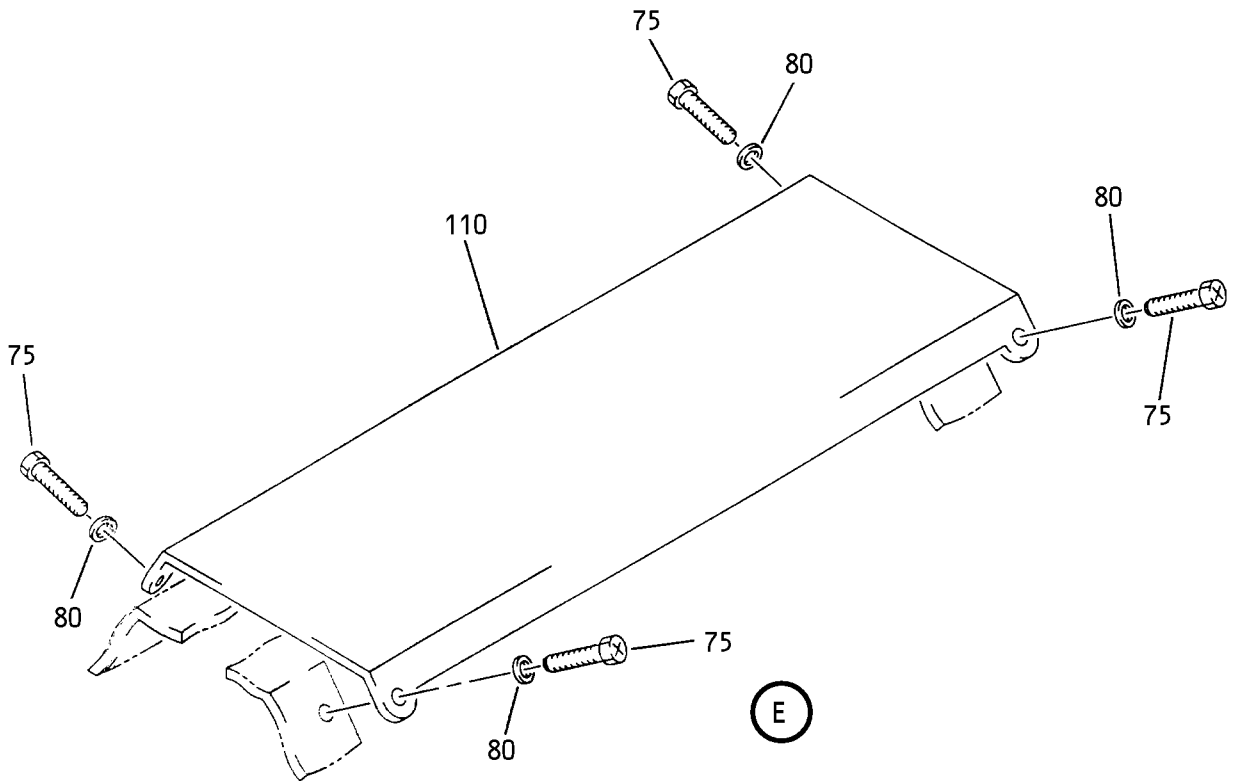
Truck Wire Provision Installation
Figure 4 (Sheet 2)

32-11-28

ILLUSTRATED PARTS LIST
01.1 Page 1082D
Jul 01/03



D

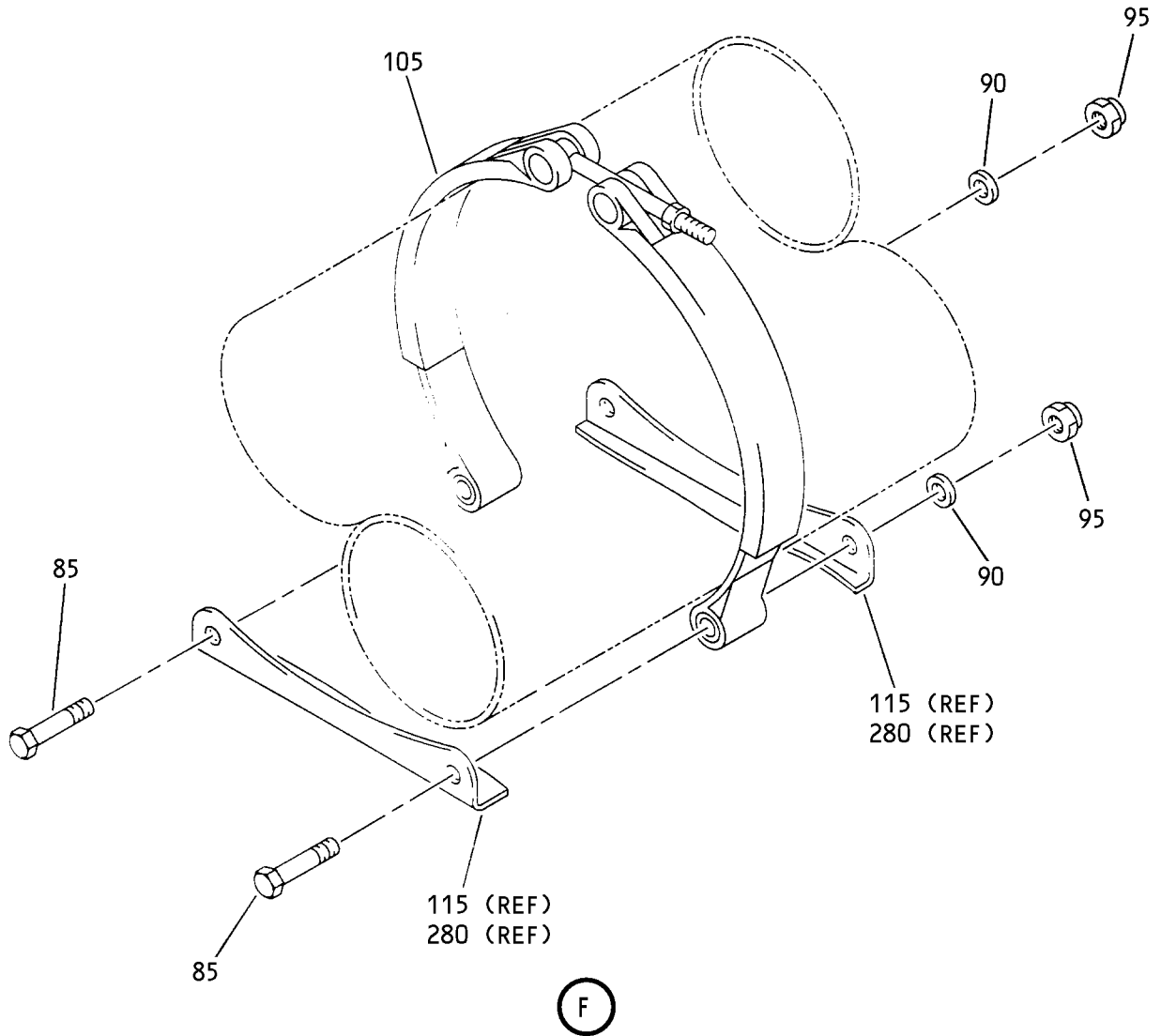


E

Truck Wire Provision Installation
Figure 4 (Sheet 3)

32-11-28

ILLUSTRATED PARTS LIST
01.1 Page 1082E
Jul 01/03



I

Truck Wire Provision Installation
Figure 4 (Sheet 4)

32-11-28

ILLUSTRATED PARTS LIST
01.1 Page 1082F
Jul 01/03

L05898


BOEING
 COMPONENT
 MAINTENANCE MANUAL

FIG. & ITEM	PART NO.	AIRLINE PART NUMBER	NOMENCLATURE 1234567	EFF CODE	QTY PER ASSY
04- -1	287T6101-4009		WIRE PROV INSTL-L TRUCK BRAKE TEMP AND NO TPIS	G	RF
-1A	287T6101-4007		WIRE PROV INSTL-L TRUCK STANDARD	M	RF
-1B	287T6101-4017		WIRE PROV INSTL-L TRUCK BRAKE TEMP AND NO TPIS	CL	RF
-5	287T6101-4010		WIRE PROV INSTL-R TRUCK BRAKE TEMP AND NO TPIS	H	RF
-5A	287T6101-4012		WIRE PROV INSTL-R TRUCK BRAKE TEMP AND NO TPIS	L	RF
-5B	287T6101-4008		WIRE PROV INSTL-R TRUCK STANDARD	N	RF
-5C	287T6101-4018		WIRE PROV INSTL-R TRUCK BRAKE TEMP AND NO TPIS	CM	RF
10	BACB30NM3K2		.BOLT	G,H, L-N,C	4
15	JM44LC13WH9R		.CLAMP- (V22175) (SPEC BACC10GE9C) (OPT S369WHSS9 (V18076)) (OPT TA12C32WH9 (V84971)) (OPT 509SS9 (V83930))	L,CM G,H, L-N,C	4
20	BACC15AN12		.CLIP	G,H, L-N,C	4
25	BACB12F12S		.BLOCK	L,CM G,H, L-N,C	4
30	H52732-3CD		.NUT- (V15653) (SPEC BACN10YR3CD) (OPT PLH53CD (V62554))	L,CM G,H, L-N,C	4
35	MS25081-6		.WASHER	G,H, L-N,C	2
40	MS21340-25		.NUT	L,CM G,H, L-N,C	2

32-11-28

 ILLUSTRATED PARTS LIST
 01.1 Page 1082G
 Jul 01/03

FIG. & ITEM	PART NO.	AIRLINE PART NUMBER	NOMENCLATURE 1234567	EFF CODE	QTY PER ASSY
04-45	NAS1802-3-7		.SCREW	G,H, L-N,C	2
50	JM44LC13WH9R		.CLAMP- (V22175) (SPEC BACC10GE9C) (OPT S369WHSS9 (V18076)) (OPT TA12C32WH9 (V84971)) (OPT 509SS9 (V83930))	L,CM G,H, L-N,C L,CM	2
55	NAS1149E0332R		.WASHER	G,H, L-N,C L,CM	2
60	BRH10C3M		.NUT- (V52828) (SPEC BACN10JC3CM) (OPT T6C1032JM (V11815)) (OPT 97E02 (V80539)) (OPT 109LH9075-3W (V72962)) (OPT VN303D02 (V92215)) (OPT NS202101SE02 (V80539)) (OPT H01-3BAC (V15653))	G,H, L-N,C L,CM	2

32-11-28

ILLUSTRATED PARTS LIST

01.1 Page 1082H

Jul 01/03


BOEING
 COMPONENT
 MAINTENANCE MANUAL

FIG. & ITEM	PART NO.	AIRLINE PART NUMBER	NOMENCLATURE 1234567	EFF CODE	QTY PER ASSY
04-65	NAS1802-3-7		. SCREW	G,H,L ,CL,C M	2
-65A	NAS1802-3-07		. SCREW	M,N	2
67	NAS1149E0332R		. WASHER	M,N	2
70	JM44LC13WH9R		. CLAMP- (V22175) (SPEC BACC10GE9C) (OPT S369WHSS9 (V18076)) (OPT TA12C32WH9 (V84971)) (OPT 509SS9 (V83930))	G,H,L ,CL,C M	2
75	NAS1802-3-10		. SCREW	G,H, L-N,C L,CM	4
80	NAS1149E1165R		. WASHER	G,H, L-N,C L,CM	4
85	BACB30PW4HP18		. BOLT	G,H, L-N,C L,CM	8
90	NAS1149E0332R		. WASHER	G,H, L-N,C L,CM	8
95	BRH10C3M		. NUT- (V52828) (SPEC BACN10JC3CM) (OPT T6C1032JM (V11815)) (OPT 97E02 (V80539)) (OPT 109LH9075-3W (V72962)) (OPT VN303D02 (V92215)) (OPT NS202101SE02 (V80539)) (OPT H01-3BAC (V15653))	G,H, L-N,C L,CM	4

32-11-28

ILLUSTRATED PARTS LIST

01.1 Page 1082I

Jul 01/03

FIG. & ITEM	PART NO.	AIRLINE PART NUMBER	NOMENCLATURE 1234567	EFF CODE	QTY PER ASSY
04-100	287T6143-1		.SPACER	G,H, L-N,C	4
105	BCREF16099		.CLAMP- (81205 BACC10ET093-035E)	L,CM G,H, L-N,C	4
110	287T6140-5		.SHIELD	L,CM G,H, L-N,C	1
115	287T6104-4019		.HARNESS ASSY-L FWD TRUCK (REF CMM 32-10-53)	L,CM G	1
-115A	287T6104-4015		.HARNESS ASSY-L FWD TRUCK (REF CMM 32-10-53)	M	1
-115B	287T6104-4027		.HARNESS ASSY-L FWD TRUCK (REF CMM 32-10-53)	CL	1
-120	287T6104-4020		.HARNESS ASSY-R FWD TRUCK (REF CMM 32-10-53)	H,L	1
-120A	287T6104-4016		.HARNESS ASSY-R FWD TRUCK (REF CMM 32-10-53)	N	1
-120B	287T6104-4028		.HARNESS ASSY-R FWD TRUCK (REF CMM 32-10-53)	CM	1
125	NAS1802-3-8		DELETED		
130	NAS1149E0332R		DELETED		

32-11-28

 ILLUSTRATED PARTS LIST
 01.1 Page 1082J
 Jul 01/03


BOEING
 COMPONENT
 MAINTENANCE MANUAL

FIG. & ITEM	PART NO.	AIRLINE PART NUMBER	NOMENCLATURE 1234567	EFF CODE	QTY PER ASSY
04-					
135	287T6149-1		DELETED		
-135A	287T6149-2		DELETED		
140	287T6144-1		DELETED		
-140A	287T6144-2		DELETED		
145	287T6147-10		DELETED		
-145A	287T6147-29		DELETED		
150	BACS12GU3K8		DELETED		
155	JM44LC13WD6R		DELETED		
160	JM44LC13WD4R		DELETED		
165	BACS1802-06-7		DELETED		
165A	NAS1802-06-7		DELETED		
-167	286T0676-0AG		DELETED		
-167A	286T0686-0AG		DELETED		
-167B	286T0676-0AF		DELETED		
-167C	286T0686-0AF		DELETED		
170	BACN10JCO6CM		DELETED		
175	BACS1802-06-7		DELETED		
175A	NAS1802-06-7		DELETED		
180	BACN10JCO6CM		DELETED		
185	S287T001-4525		DELETED		
-185A	254871-4524		DELETED		
187	287T6111-31		DELETED		
188	BACN10WW6C		DELETED		
190	S287T001-4531		DELETED		
-190A	254871-4531		DELETED		
195	8-716-01		DELETED		
200	287T6150-1		DELETED		
205	287T6139-9		DELETED		
210	287T6150-2		DELETED		
215	S287T001-4523		DELETED		
-215A	254871-4523		DELETED		
-220	287T6104-42		DELETED		
-225	287T6104-43		DELETED		
-230	287T6104-44		DELETED		
235	287T6142-1		DELETED		
-235A	287T6142-7		DELETED		
-240	287T6142-2		DELETED		
-240A	287T6142-8		DELETED		
245	BACB30NX8K4X		DELETED		
250	HL112AZ8-5		DELETED		
255	HL1087-8		DELETED		
260	NAS1057W4A010		DELETED		
265	287T6147-8		DELETED		
-265A	287T6147-28		DELETED		
270	287T6148-1		DELETED		

32-11-28

 ILLUSTRATED PARTS LIST
 01.1 Page 1082K
 Jul 01/03

FIG. & ITEM	PART NO.	AIRLINE PART NUMBER	NOMENCLATURE 1234567	EFF CODE	QTY PER ASSY
04-					
-270A	287T6148-7		DELETED		
-275	287T6148-2		DELETED		
-275A	287T6148-8		DELETED		
280	287T6104-4021		.HARNES ASSY-L AFT TRUCK (REF CMM 32-10-53)	G	1
-280A	287T6104-4017		.HARNES ASSY-L AFT TRUCK (REF CMM 32-10-53)	M	1
-280B	287T6104-4029		.HARNES ASSY-L AFT TRUCK (REF CMM 32-10-53)	CL	1
-285	287T6104-4022		.HARNES ASSY-R AFT TRUCK (REF CMM 32-10-53)	H	1
-285A	287T6104-4024		.HARNES ASSY-R AFT TRUCK (REF CMM 32-10-53)	L	1
-285B	287T6104-4018		.HARNES ASSY-R AFT TRUCK (REF CMM 32-10-53)	N	1
-285C	287T6104-4030		.HARNES ASSY-R AFT TRUCK (REF CMM 32-10-53)	CM	1
290	NAS1802-3-8		DELETED		
295	NAS1149E0332R		DELETED		
300	287T6149-1		DELETED		
-300A	287T6149-2		DELETED		
305	287T6144-1		DELETED		

32-11-28

 ILLUSTRATED PARTS LIST
 01.1 Page 1082L
 Jul 01/03


BOEING
 COMPONENT
 MAINTENANCE MANUAL

FIG. & ITEM	PART NO.	AIRLINE PART NUMBER	NOMENCLATURE 1234567	EFF CODE	QTY PER ASSY
04-					
-305A	287T6144-2		DELETED		
310	287T6147-10		DELETED		
-310A	287T6147-29		DELETED		
315	BACS12GU3K8		DELETED		
320	JM44LC13WD4R		DELETED		
325	JM44LC13WD5A		DELETED		
-327	286T0668-OAF		DELETED		
-327A	286T0688-OAF		DELETED		
-327B	286T0668-OAG		DELETED		
-327C	286T0688-OAG		DELETED		
330	NAS1802-06-7		DELETED		
335	BACN10JC06CM		DELETED		
340	NAS1802-06-7		DELETED		
345	BACN10JC06CM		DELETED		
347	287T6111-31		DELETED		
348	BACN10WW6C		DELETED		
350	S287T001-4523		DELETED		
-350A	254871-4523		DELETED		
355	287T6150-1		DELETED		
360	287T6139-9		DELETED		
365	287T6150-2		DELETED		
370	S287T001-4533		DELETED		
-370A	254871-4533		DELETED		
375	8-716-01		DELETED		
380	S287T001-4525		DELETED		
-380A	254871-4525		DELETED		
-385	287T6104-42		DELETED		
-390	287T6104-43		DELETED		
-395	287T6104-44		DELETED		
400	287T6142-3		DELETED		
-400A	287T6142-9		DELETED		

32-11-28

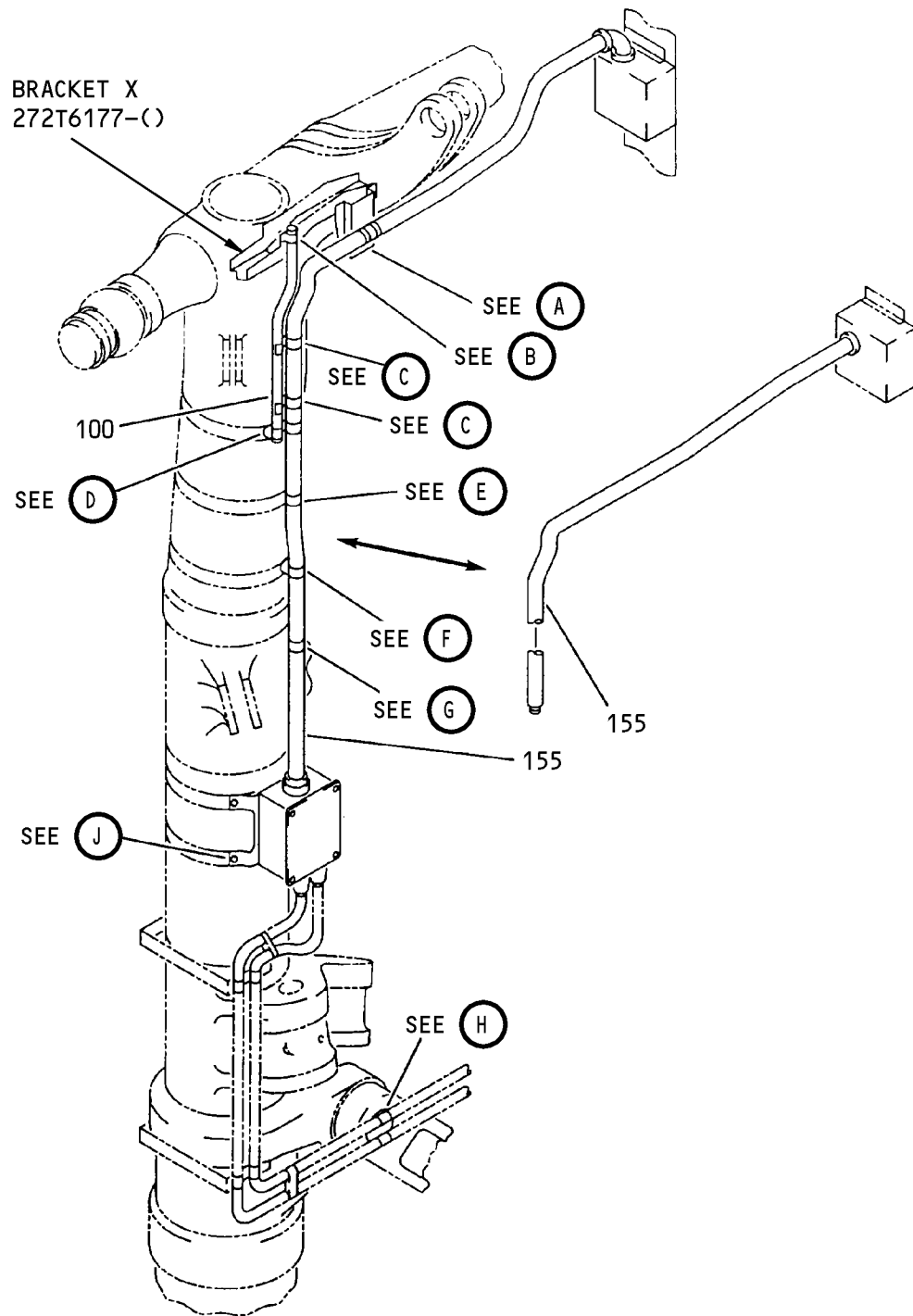
 ILLUSTRATED PARTS LIST
 01.1 Page 1082M
 Jul 01/03

FIG. & ITEM	PART NO.	AIRLINE PART NUMBER	NOMENCLATURE 1234567	EFF CODE	QTY PER ASSY
04-					
-405	287T6142-4		DELETED		
-405A	287T6142-10		DELETED		
-405B	287T6142-5		DELETED		
410	BACB30NX8K4X		DELETED		
415	BACBNX8K5X		DELETED		
420	HL1087-8		DELETED		
425	287T6147-8		DELETED		
-425A	287T6147-28		DELETED		
-425B	287T6147-18		DELETED		
430	NAS1057W4A010		DELETED		
435	66-18544-1		DELETED		
440	MS35333-76		DELETED		
445	52NE066		DELETED		
450	287T6148-3		DELETED		
-450A	287T6148-9		DELETED		
-455	287T6148-4		DELETED		
-455A	287T6148-10		DELETED		
-460	Y8412		.TAPE- (V26066) (OPT ITEMS 460A, 460B)	G,H, L-N,C	AR
-460A	3M5421		.TAPE- (V26066) (OPT ITEMS 460, 460B)	L,CM G,H, L-N,C	AR
-460B	7355		.TAPE- (V88301) (OPT ITEMS 460, 460A)	L,CM G,H, L-N,C	AR
465	BAC27TEX1190		.MARKER-ALUMINUM FOIL	L,CM G,M,C	1
-470	BAC27TEX1188		.MARKER-ALUMINUM FOIL	L H,L-N ,CM	1
475	BAC27TEX1191		.MARKER-ALUMINUM FOIL	G,M,C L	1
-480	BAC27TEX1189		.MARKER-ALUMINUM FOIL	H,L,N ,CM	1

- Item Not Illustrated

32-11-28

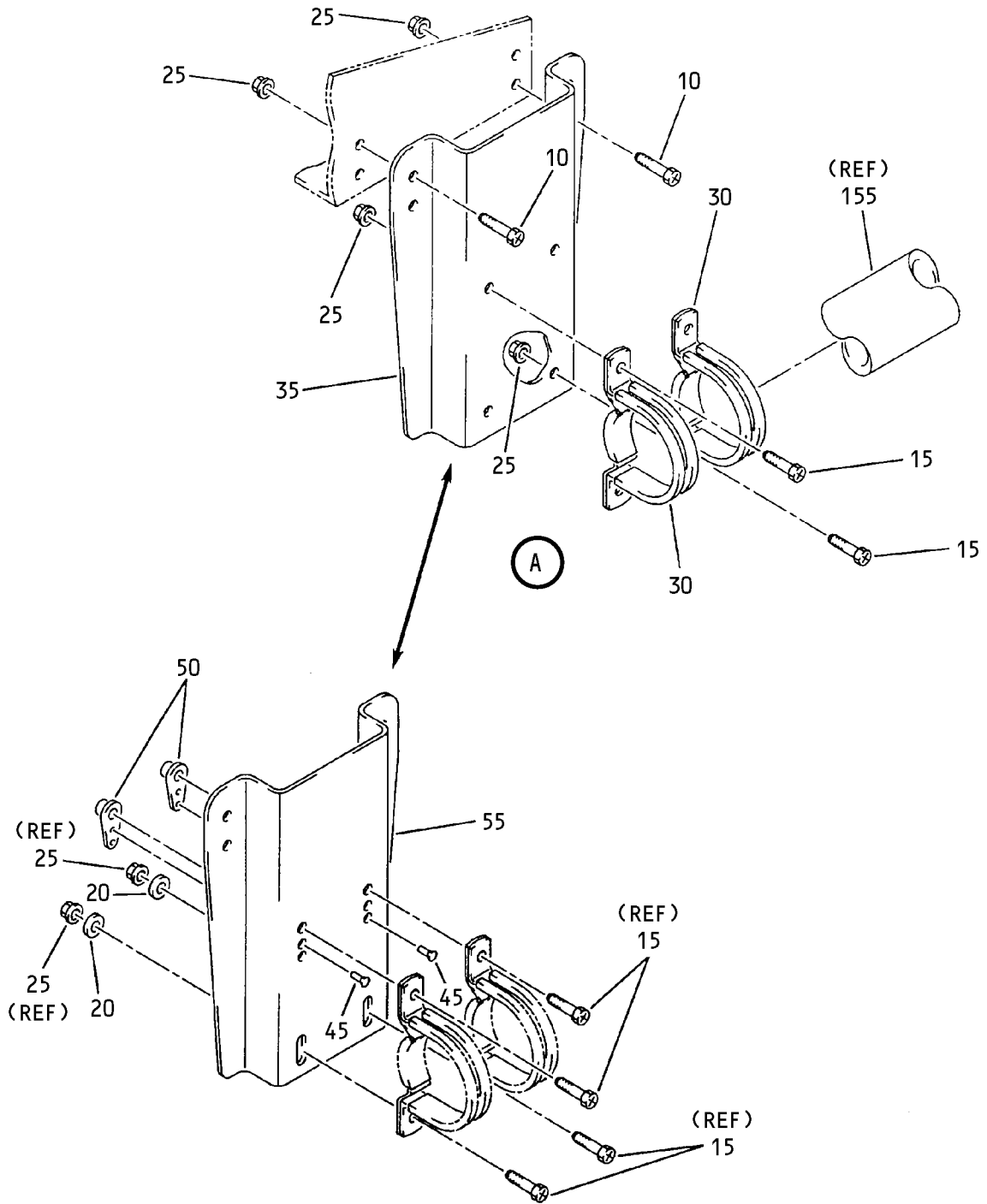
 ILLUSTRATED PARTS LIST
 01.1 Page 1082N
 Jul 01/03



Wire Provision Installation
Figure 5 (Sheet 1)

32-11-28

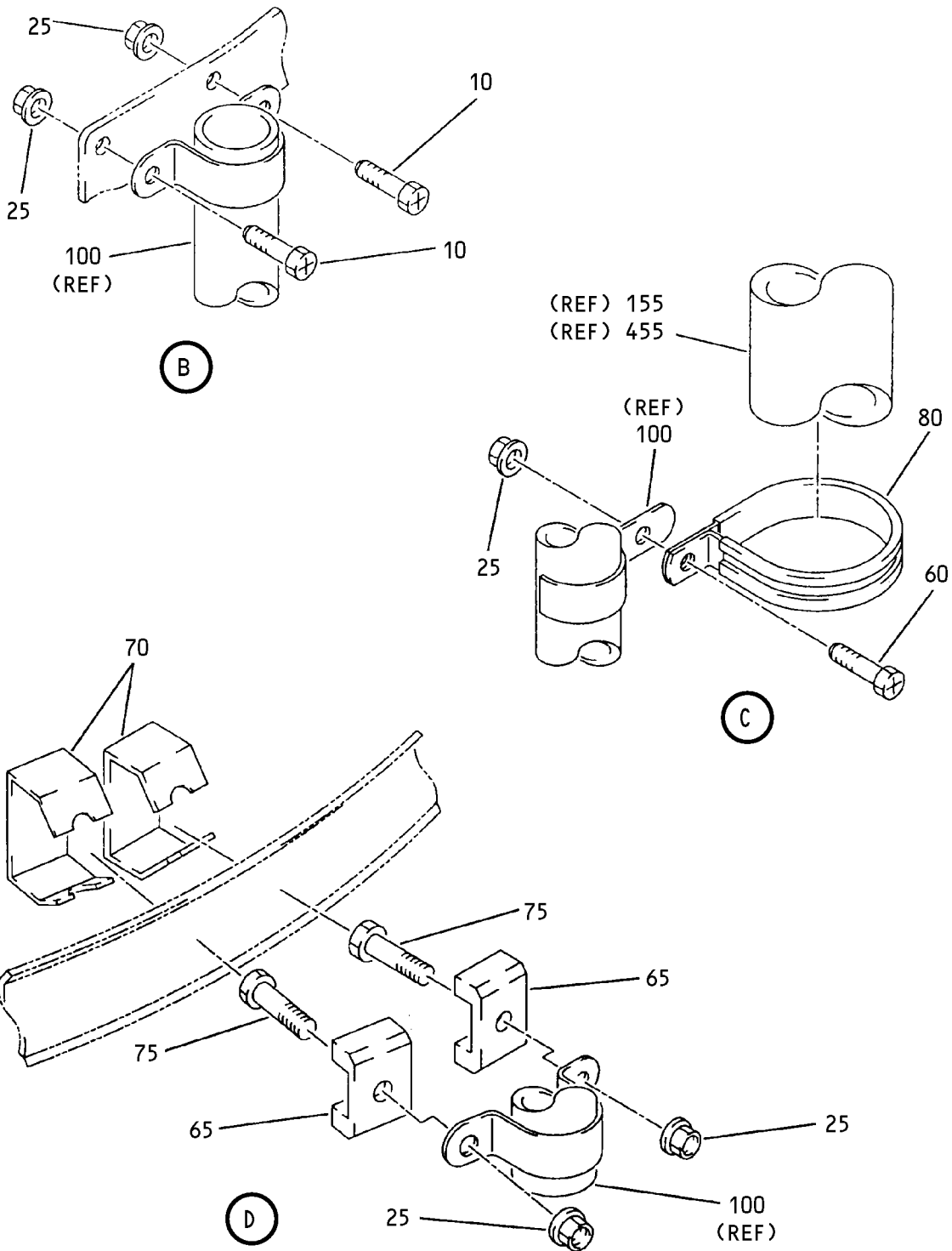
ILLUSTRATED PARTS LIST
01.1 Page 1082P
Jul 01/03



Wire Provision Installation
Figure 5 (Sheet 2)

32-11-28

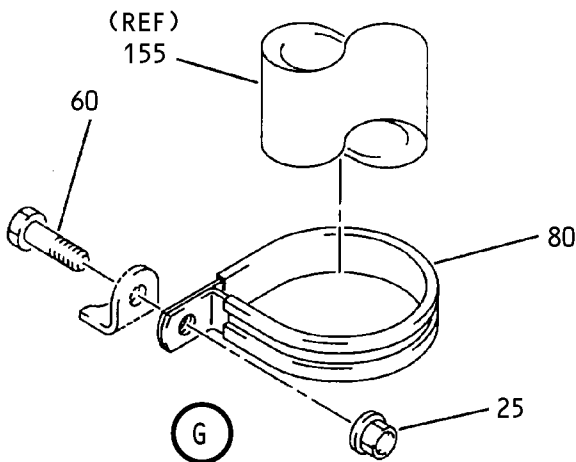
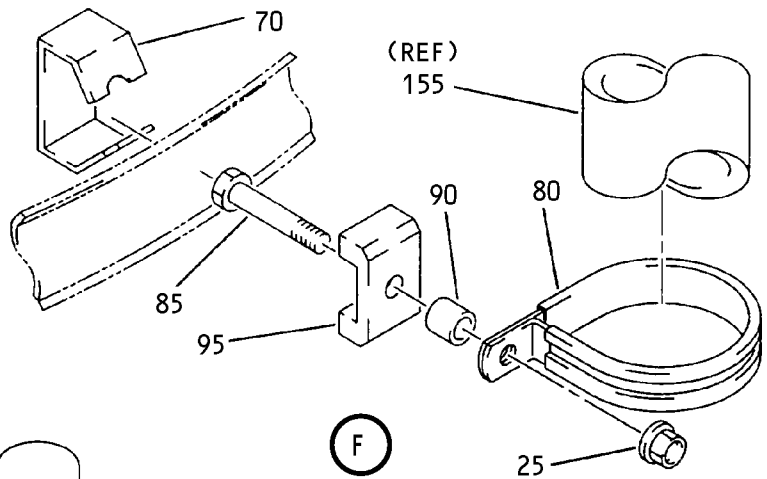
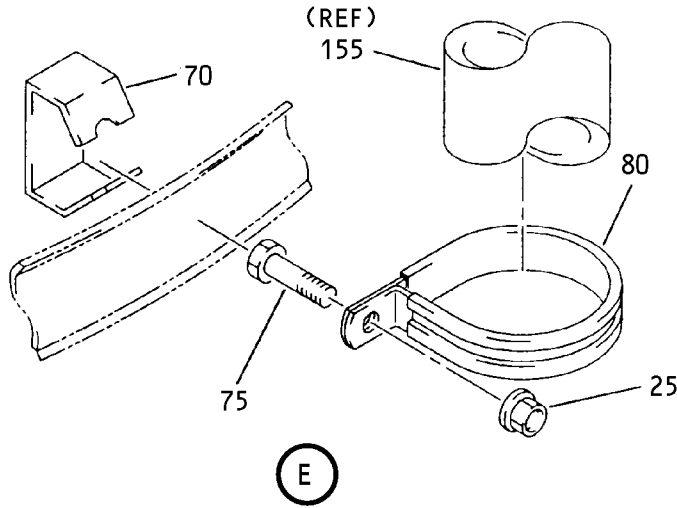
ILLUSTRATED PARTS LIST
01.1 Page 1082Q
Jul 01/03



Wire Provision Installation
 Figure 5 (Sheet 3)

32-11-28

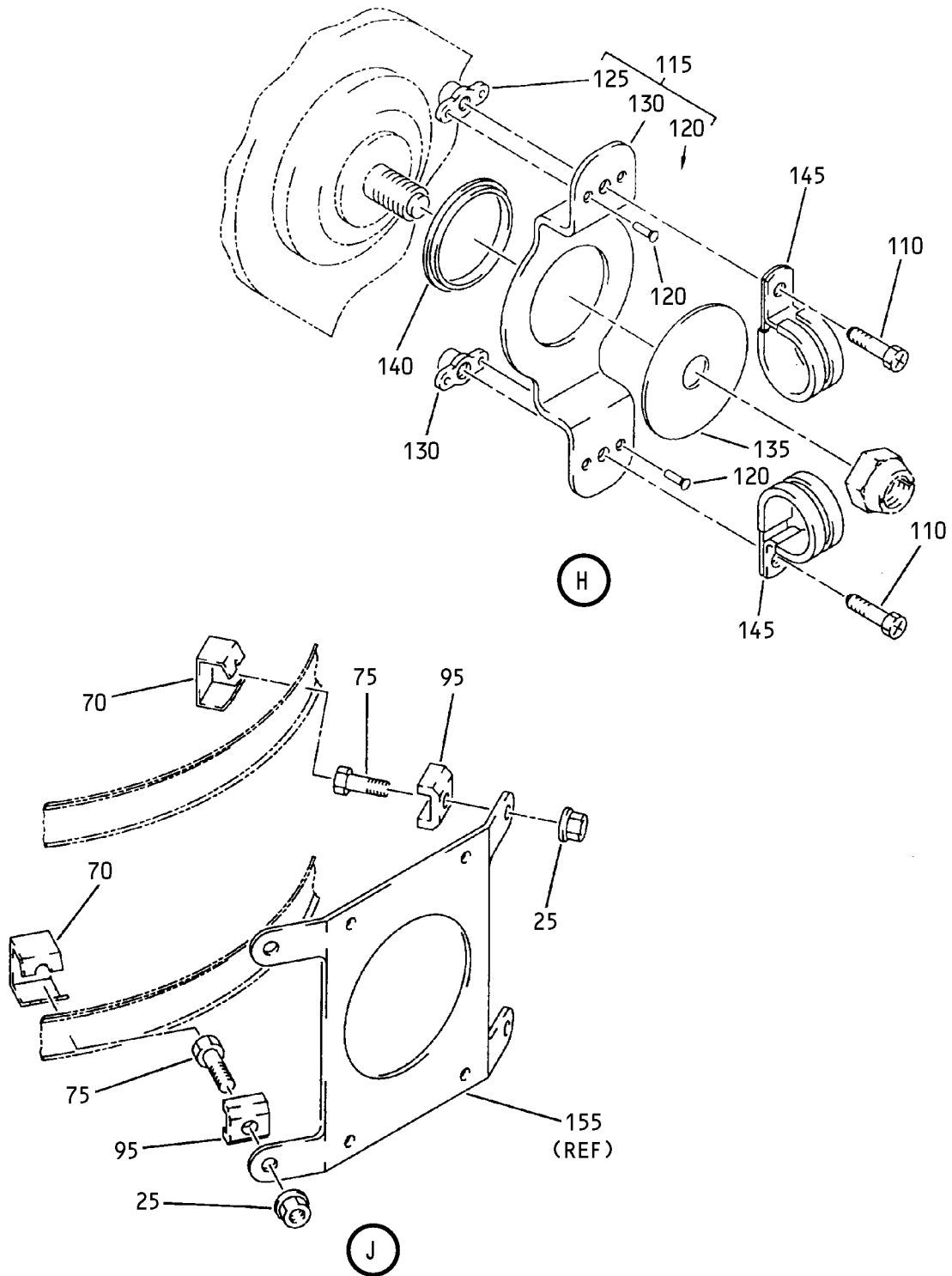
ILLUSTRATED PARTS LIST
 01.1 Page 1082R
 Jul 01/03



Wire Provision Installation
Figure 5 (Sheet 4)

32-11-28

ILLUSTRATED PARTS LIST
01.1 Page 1082S
Jul 01/03



Wire Provision Installation
 Figure 5 (Sheet 5)

32-11-28

ILLUSTRATED PARTS LIST
 01.1 Page 1082T
 Jul 01/03


BOEING
 COMPONENT
 MAINTENANCE MANUAL

FIG. & ITEM	PART NO.	AIRLINE PART NUMBER	NOMENCLATURE 1234567	EFF CODE	QTY PER ASSY
05- -1	287T6101-439		WIRE PROV INSTL-L MLG, NO BRAKE TEMP, NO BRAKE FAN, NO TIRE PRESSURE IND (0.50 ID CONDUITS)	P	RF
-1A	287T6101-441		WIRE PROV INSTL-L MLG, WITH BRAKE TEMP, NO BRAKE FAN, NO TIRE PRESSURE IND (0.62 ID CONDUITS)	R	RF
-1B	287T6101-453		WIRE PROV INSTL-L MLG, NO BRAKE TEMP, NO BRAKE FAN, NO TIRE PRESSURE IND (0.50 ID CONDUITS)	T	RF
-1C	287T6101-459		WIRE PROV INSTL-L MLG, WITH BRAKE TEMP, NO BRAKE FAN, NO TIRE PRESSURE IND (0.62 ID CONDUITS)	V	RF
-1D	287T6101-454		WIRE PROV INSTL-L MLG, NO BRAKE TEMP, NO BRAKE FAN, NO TIRE PRESSURE IND (0.50 ID CONDUITS)	Z	RF
-1E	287T6101-417		WIRE PROV INSTL-L MLG, WITH BRAKE TEMP AND BRAKE FAN, NO TIRE PRESSURE IND (0.62 ID CONDUITS)	BC	RF
-1F	287T6101-443		WIRE PROV INSTL-L MLG, WITH BRAKE TEMP AND TIRE PRESSURE IND, NO BRAKE FAN (0.62 ID CONDUITS)	BE	RF
-1G	287T6101-457		WIRE PROV INSTL-L MLG, WITH BRAKE TEMP AND TIRE PRESSURE IND, NO BRAKE FAN (0.62 ID CONDUITS)	BG	RF
-5	287T6101-440		WIRE PROV INSTL-R MLG, NO BRAKE TEMP, NO BRAKE FAN, NO TIRE PRESSURE ID (0.50 ID CONDUITS)	Q	RF
-5A	287T6101-442		WIRE PROV INSTL-R MLG, WITH BRAKE TEMP, NO BRAKE FAN, NO TIRE PRESSURE ID (0.62 ID CONDUITS)	S	RF
-5B	287T6101-455		WIRE PROV INSTL-R MLG, NO BRAKE TEMP, NO BRAKE FAN, NO TIRE PRESSURE ID (0.62 ID CONDUITS)	U	RF

32-11-28

ILLUSTRATED PARTS LIST

01.1 Page 1082U

Jul 01/03

FIG. & ITEM	PART NO.	AIRLINE PART NUMBER	NOMENCLATURE 1234567	EFF CODE	QTY PER ASSY
05- -5C	287T6101-460		WIRE PROV INSTL-R MLG, WITH BRAKE TEMP, NO BRAKE FAN, NO TIRE PRESSURE ID (0.62 ID CONDUITS)	W	RF
-5D	287T6101-456		WIRE PROV INSTL-R MLG, NO BRAKE TEMP, NO BRAKE FAN, NO TIRE PRESSURE ID (0.50 ID CONDUITS FWD TRUCKS 0.62 ID CONDUITS AFT TRUCK)	AA	RF
-5E	287T6101-418		WIRE PROV INSTL-R MLG, BRAKE TEMP, BRAKE FAN, NO TIRE PRESSURE ID (0.62 ID CONDUITS)	BD	RF
-5F	287T6101-444		WIRE PROV INSTL-R MLG, WITH BRAKE TEMP AND TIRE PRESSURE ID, NO BRAKE FAN (0.62 ID CONDUITS)	BF	RF
-5G	287T6101-458		WIRE PROV INSTL-R MLG, BRAKE TEMP, TIRE PRESSURE ID, NO BRAKE FAN (0.62 ID CONDUITS)	BH	RF
-5H	287T6101-470		WIRE PROV INSTL-R MLG, NO BRAKE TEMP, NO BRAKE FAN, NO TIRE PRESSURE ID (0.62 ID CONDUITS)	X	RF
-5J	287T6101-471		WIRE PROV INSTL-R MLG, BRAKE TEMP, NO BRAKE FAN, NO TIRE PRESSURE ID (0.62 ID CONDUITS)	Y	RF
10	NAS1801-3-8		.SCREW	P-AA, BC-BH	6
15	NAS1801-3-7		.SCREW	P-AA, BC-BH	4
20	NAS1149D0332J		.WASHER	P-AC, BC-BH	2
25	MS21042L3		.NUT	P-AA, BC-BH	21
30	BACC10GF20C		.CLAMP	P-AA	2

32-11-28

 ILLUSTRATED PARTS LIST
 01.1 Page 1082V
 Jul 01/03


BOEING
 COMPONENT
 MAINTENANCE MANUAL

FIG. & ITEM	PART NO.	AIRLINE PART NUMBER	NOMENCLATURE 1234567	EFF CODE	QTY PER ASSY
05- -30A	470S25HT		.CLAMP- (V83930) (SPEC BACC10DM25) (OPT 8068XSC25 (V72285)) (OPT S305H25 (V18076))	BC-BH	2
35	287T6111-43		.BRACKET	P-AC	1
-40	287T6111-71		.BRACKET ASSY	BC-BH	1
45	BACR15BA3AD		..RIVET- (SIZE DETERMINE ON INST)	BC-BH	4
50	BRM100A3		..NUTPLATE- (V52828) (SPEC BACN10JP3B) (OPT MK2000-3BAC (V15653)) (OPT NS103198-02 (V80539)) (OPT RMA9207-3 (V72962)) (OPT VN201A1-02 (V92215)) (OPT T8077S1032 (V11815)) (OPT ITEM 50A)	BC-BH	2
-50A	BR1000A3		..NUTPLATE- (V52828) (SPEC BACN10KB3) (OPT NS103184-02 (V80539)) (OPT RMA9207-3 (V72962)) (OPT T8109S1032 (V11815)) (OPT VN101A1-02 (V92215)) (OPT K2000-3 (V15653)) (OPT ITEM 50)	BC-BH	2

32-11-28

 ILLUSTRATED PARTS LIST
 01.1 Page 1082W
 Jul 01/03

FIG. & ITEM	PART NO.	AIRLINE PART NUMBER	NOMENCLATURE 1234567	EFF CODE	QTY PER ASSY
05-					
55	287T6111-42		. BRACKET	BC-BH	1
60	NAS1801-3-6		. SCREW	P-AC, BC-BH	2
65	76233		. BLOCK- (V09455) (SPEC BACB10F10) (OPT YT108 (V77896))	P-AC, BC-BH	2
70	BACC15AN10		. CLIP	P-AC, BC-BH	8
75	NAS6603-3		. BOLT	P-AC, BC-BH	7
80	JM44LC13WS20R		. CLAMP- (V22175) (SPEC BACC10GE20) (OPT S369WH20 (V18076)) (OPT TA12C32WS20 (V84971)) (OPT 509S20 (V83930))	P-AC	5
-80A	JM44LC13WS25R		. CLAMP- (V22175) (SPEC BACC10GE25) (OPT S369WH25 (V18076)) (OPT TA12C32WS25 (V84971)) (OPT 509S25 (V83930))	BC-BH	5

32-11-28

 ILLUSTRATED PARTS LIST
 01.1 Page 1082X
 Jul 01/03


BOEING
 COMPONENT
 MAINTENANCE MANUAL

FIG. & ITEM	PART NO.	AIRLINE PART NUMBER	NOMENCLATURE 1234567	EFF CODE	QTY PER ASSY
05-85	NAS6603-10		.BOLT	P-AC, BC-BH	1
90	NAS42DD6-28FC		.SPACER	P-AC, BC-BH	1
95	BACB19F10		.BLOCK	P-AC, BC-BH	5
100	287T6114-7		.TUBE ASSY	P,R,T ,V,Z, BC,BE ,BG	1
-105	287T6114-8		.TUBE ASSY	Q,S,U ,W,X, Y,AA, BD,BF ,BH	1
110	NAS1801-3-7		.SCREW	P-AC, BC-BH	2
115	287T6109-1		.BRACKET ASSY-CLAMP	P-AC, BC-BH	1
120	BACR15BA3AD		..RIVET-	P-AC, BC-BH	4
125	T8097S1032K		(SIZE DETERMINE ON INST) ..NUTPLATE-	P-AC, BC-BH	2
			(V11815) (SPEC BACN10KA3A) (OPT NS103226-02 (V80539))		
130	287T6109-2		..BRACKET	P-AC, BC-BH	1
135	AN970-8		.WASHER	P-AC, BC-BH	1
140	NAS77A16-010P		.BUSHING	P-AC, BC-BH	1

32-11-28

 ILLUSTRATED PARTS LIST
 01.1 Page 1082Y
 Jul 01/03

FIG. & ITEM	PART NO.	AIRLINE PART NUMBER	NOMENCLATURE 1234567	EFF CODE	QTY PER ASSY
05-145	JM44LC13WS12R		.CLAMP- (V22175) (SPEC BACC10GE12) (OPT S369WH12 (V18076)) (OPT TA12C32WS12 (V84971)) (OPT 509S12 (V83930))	P-AC, BC-BH	2
-150	Y8412		.TAPE- (V26066)	P-AC, BC-BH	AR
155	287T6104-317		.HARNESS ASSY-L GEAR REAR SPAR TO OLEO (REF CMM 32-10-51)	P	1
-155A	287T6104-323		.HARNESS ASSY-L GEAR REAR SPAR TO OLEO (REF CMM 32-10-51)	R	1
-155B	287T6104-357		.HARNESS ASSY-L GEAR REAR SPAR TO OLEO (REF CMM 32-10-51)	T	1
-155C	287T6104-363		.HARNESS ASSY-L GEAR REAR SPAR TO OLEO (REF CMM 32-10-51)	V	1
-155D	287T6104-358		.HARNESS ASSY-L GEAR REAR SPAR TO OLEO (REF CMM 32-10-51)	Z	1
-155E	287T6104-321		.HARNESS ASSY-L GEAR REAR SPAR TO OLEO (REF CMM 32-10-51)	BC	1
-155F	287T6104-319		.HARNESS ASSY-L GEAR REAR SPAR TO OLEO (REF CMM 32-10-52)	BE	1
-155G	287T6104-361		.HARNESS ASSY-L GEAR REAR SPAR TO OLEO (REF CMM 32-10-52)	BG	1
-160	287T6104-318		.HARNESS ASSY-R GEAR REAR SPAR TO OLEO (REF CMM 32-10-51)	Q	1

32-11-28

 ILLUSTRATED PARTS LIST
 01.1 Page 1082Z
 Jul 01/03


BOEING
 COMPONENT
 MAINTENANCE MANUAL

FIG. & ITEM	PART NO.	AIRLINE PART NUMBER	NOMENCLATURE 1234567	EFF CODE	QTY PER ASSY
05- -160A	287T6104-324		.HARNESS ASSY-R GEAR REAR SPAR TO OLEL (REF CMM 32-10-51)	S	1
-160B	287T6104-359		.HARNESS ASSY-R GEAR REAR SPAR TO OLEO (REF CMM 32-10-51)	U	1
-160C	287T6104-364		.HARNESS ASSY-R GEAR REAR SPAR TO OLEO (REF CMM 32-10-51)	W	1
-160D	287T6104-380		.HARNESS ASSY-R GEAR REAR SPAR TO OLEO (REF CMM 32-10-51)	X	1
-160E	287T6104-382		.HARNESS ASSY-R GEAR REAR SPAR TO OLEO (REF CMM 32-10-51)	Y	1
-160F	287T6104-360		.HARNESS ASSY-R GEAR REAR SPAR TO OLEO (REF CMM 32-10-51)	AA	1
-160G	287T6104-322		.HARNESS ASSY-R GEAR REAR SPAR TO OLEO (REF CMM 32-10-51)	BD	1
-160H	287T6104-320		.HARNESS ASSY-R GEAR REAR SPAR TO OLEO (REF CMM 32-10-52)	BF	1
-160J	287T6104-381		.HARNESS ASSY-R GEAR REAR SPAR TO OLEL (REF CMM 32-10-52)	BH	1
165	NAS1801-3-6		DELETED		
170	NAS1149D0363J		DELETED		
175	287T6105-4		DELETED		
180	NAS1801-04-6		DELETED		
-180A	NAS1802-04-7		DELETED		
185	NAS1149CN416R		DELETED		
190	BRH10C04D		DELETED		
-190A	BRH1110C04M		DELETED		
195	NAS1801-04-06		DELETED		
-195A	NAS1802-06-6		DELETED		
200	NAS1149CN416R		DELETED		
-200A	NAS1149CN616R		DELETED		
205	BRH10C04D		DELETED		
-205A	BACN10JC06CM		DELETED		
210	NAS1801-04-6		DELETED		
-210A	NAS1802-06-6		DELETED		
215	BRH10C04D		DELETED		

32-11-28

ILLUSTRATED PARTS LIST

01.1

Page 1083

Jul 01/03

FIG. & ITEM	PART NO.	AIRLINE PART NUMBER	NOMENCLATURE 1234567	EFF CODE	QTY PER ASSY
05-					
-215A	BACN10JC06CM		DELETED		
220	6-2S20KC		DELETED		
225	28-12S20KC		DELETED		
230	NAS1801-3-8		DELETED		
235	BACN10JC3CD		DELETED		
240	TFE2X		DELETED		
-245	286T0682-OAJ		DELETED		
-245A	286T0682-OAH		DELETED		
-245B	286T0682-OAC		DELETED		
-245C	286T0682-OAB		DELETED		
-245D	286T0682-OAA		DELETED		
-250	286T0670-OAD		DELETED		
-250A	286T0670-OAE		DELETED		
-255	286T0684-OAA		DELETED		
-255A	286T0684-OAB		DELETED		
-255B	286T0684-OAC		DELETED		
-255C	286T0674-OAD		DELETED		
-255D	286T0674-OAE		DELETED		
260	287T6107-11		DELETED		
-260A	287T6107-29		DELETED		
-265	287T6107-12		DELETED		
-265A	287T6107-30		DELETED		
-265B	287T6107-38		DELETED		
270	MS20427M3		DELETED		
-270A	BACR15DR3A		DELETED		
275	NAS1801-3-7		DELETED		
280	AN960XC10L		DELETED		
-280A	NAS1149C0332B		DELETED		
285	BRFM20C3M		DELETED		
-285A	T8100C1032CK1		DELETED		

32-11-28

 ILLUSTRATED PARTS LIST
 01.1 Page 1084
 Jul 01/03


BOEING
 COMPONENT
 MAINTENANCE MANUAL

FIG. & ITEM	PART NO.	AIRLINE PART NUMBER	NOMENCLATURE 1234567	EFF CODE	QTY PER ASSY
05-					
290	287T6107-10		DELETED		
295	BACR15BB4AD		DELETED		
300	WSI4A4		DELETED		
305	287T6107-13		DELETED		
-305A	287T6107-31		DELETED		
-310	287T6107-14		DELETED		
-310A	287T6107-39		DELETED		
-310B	287T6107-32		DELETED		
315	NAS1801-3-7		DELETED		
320	NAS1149C0332B		DELETED		
325	287T6107-27		DELETED		
330	NAS1801-3-20		DELETED		
335	NAS42DD6-52		DELETED		
340	JM44LC13WS9R		DELETED		
345	287T6105-5		DELETED		
-345A	287T6105-9		DELETED		
-350	287T6105-7		DELETED		
355	BACR15BB6D		DELETED		
360	AN960PD10		DELETED		
365	287T6111-9		DELETED		
370	BACR15BB3A		DELETED		
375	287T6119-1		DELETED		
-375A	287T6119-3		DELETED		
380	BACR15BB3A		DELETED		
385	MF6000-3		DELETED		
390	287T6105-2		DELETED		
-390A	287T6105-10		DELETED		
395	287T6105-11		DELETED		
400	BACR15BB4A		DELETED		
405	287T6119-5		DELETED		

32-11-28

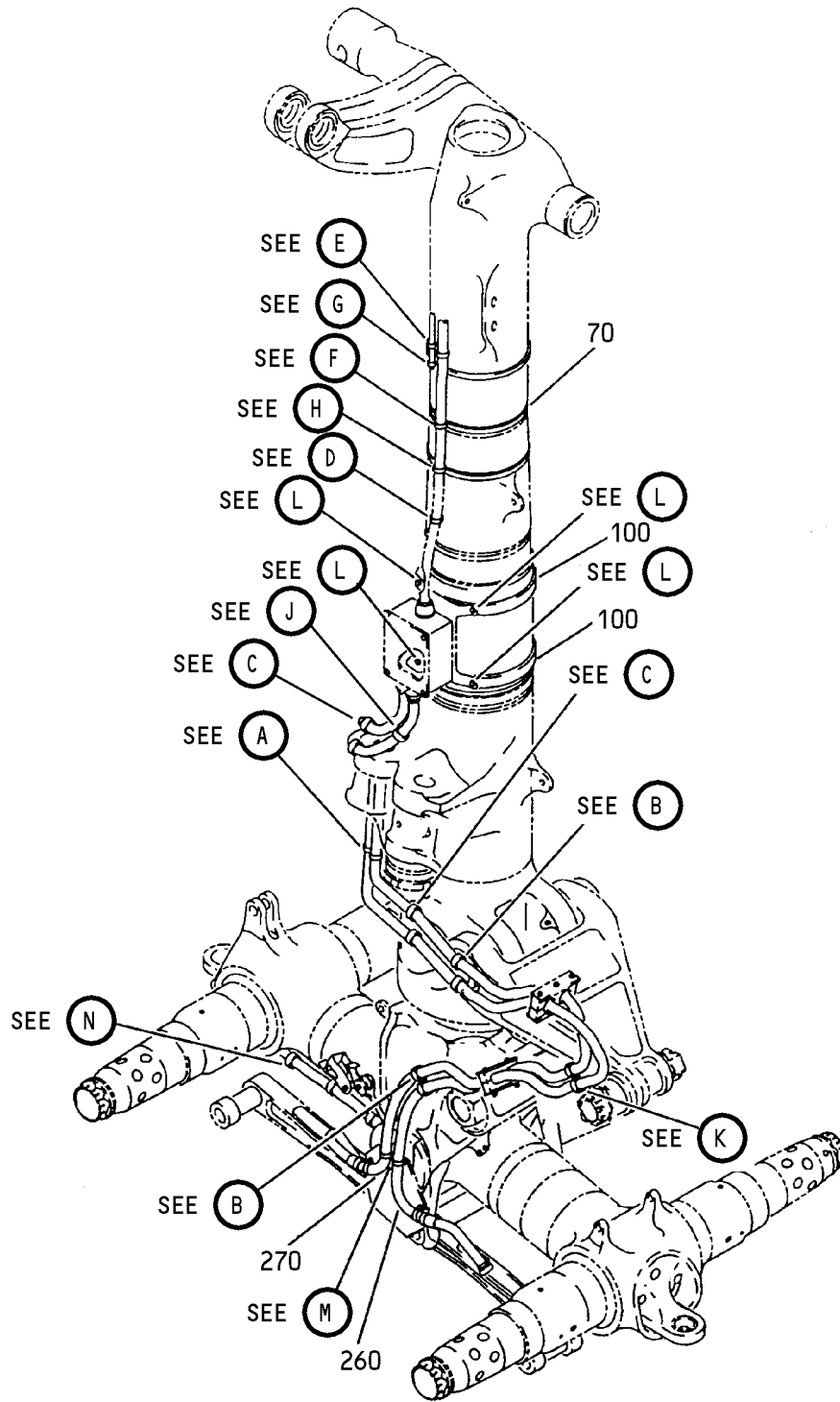
 ILLUSTRATED PARTS LIST
 01.1 Page 1084A
 Jul 01/03

FIG. & ITEM	PART NO.	AIRLINE PART NUMBER	NOMENCLATURE 1234567	EFF CODE	QTY PER ASSY
05-					
410	287T6119-4		DELETED		
415	287T6105-5		DELETED		
420	BACR15BB6D		DELETED		
425	AN960PD10		DELETED		
430	287T6111-9		DELETED		
435	BACR15BB3A		DELETED		
440	MF6000-3		DELETED		
445	287T6105-2		DELETED		
450	287T6104-108		DELETED		
455	254871-0227		DELETED		
-455A	S287T001-201		DELETED		
-460	254871-0213		DELETED		

- Item Not Illustrated

32-11-28

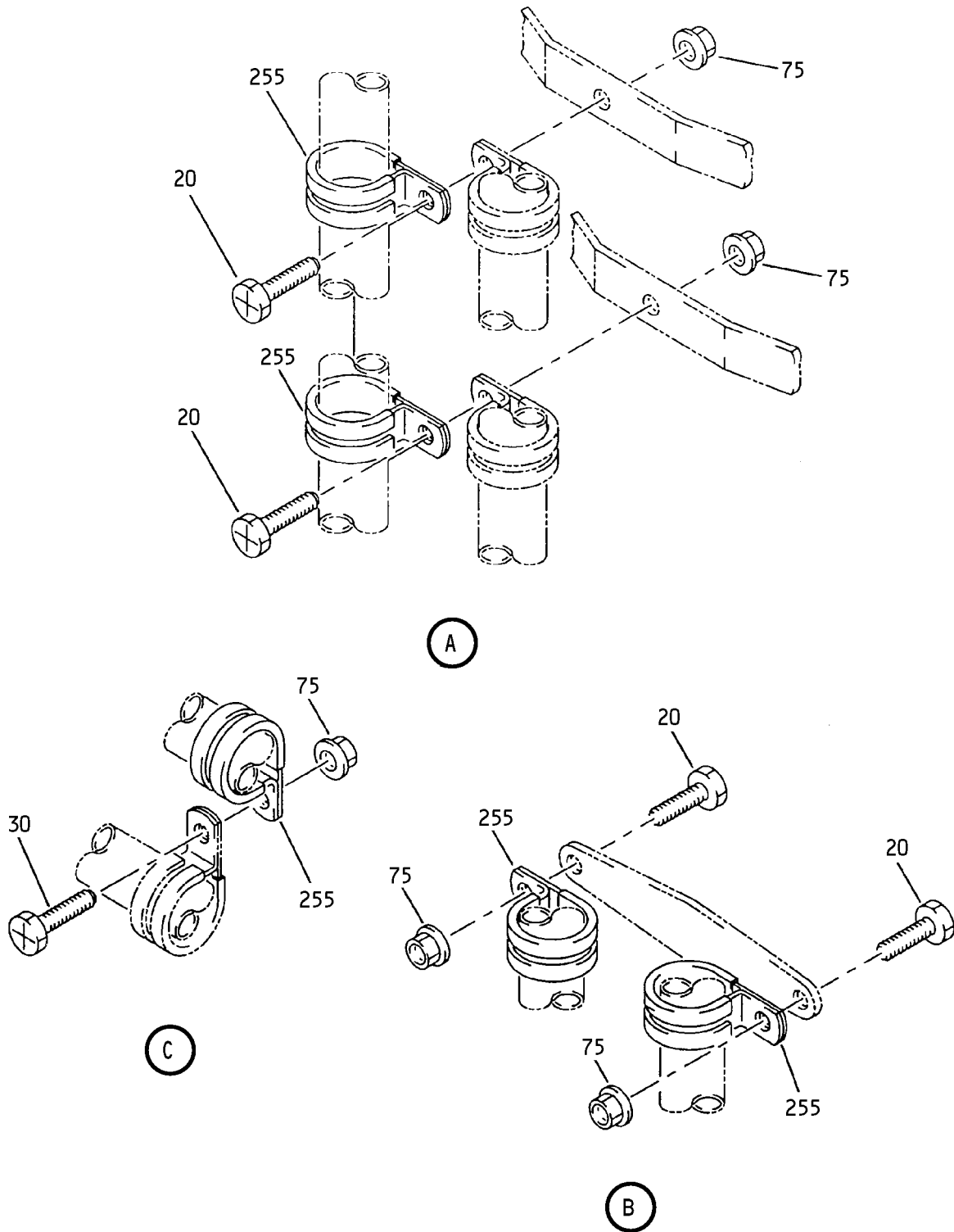
ILLUSTRATED PARTS LIST
 01.1 Page 1084B
 Jul 01/03



Wire Provision Installation
Figure 6 (Sheet 1)

32-11-28

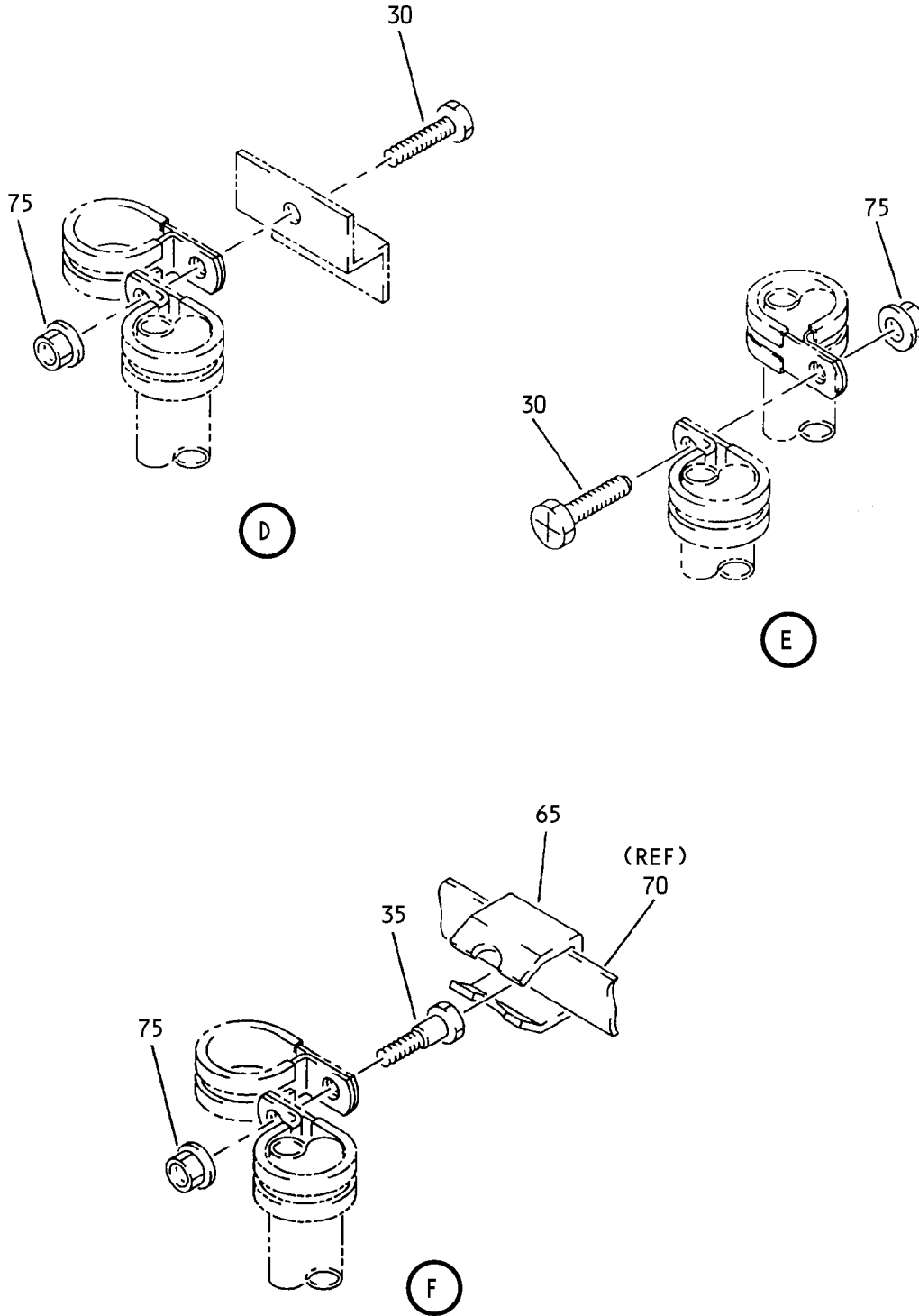
ILLUSTRATED PARTS LIST
01.1 Page 1084C
Jul 01/03



Wire Provision Installation
Figure 6 (Sheet 2)

32-11-28

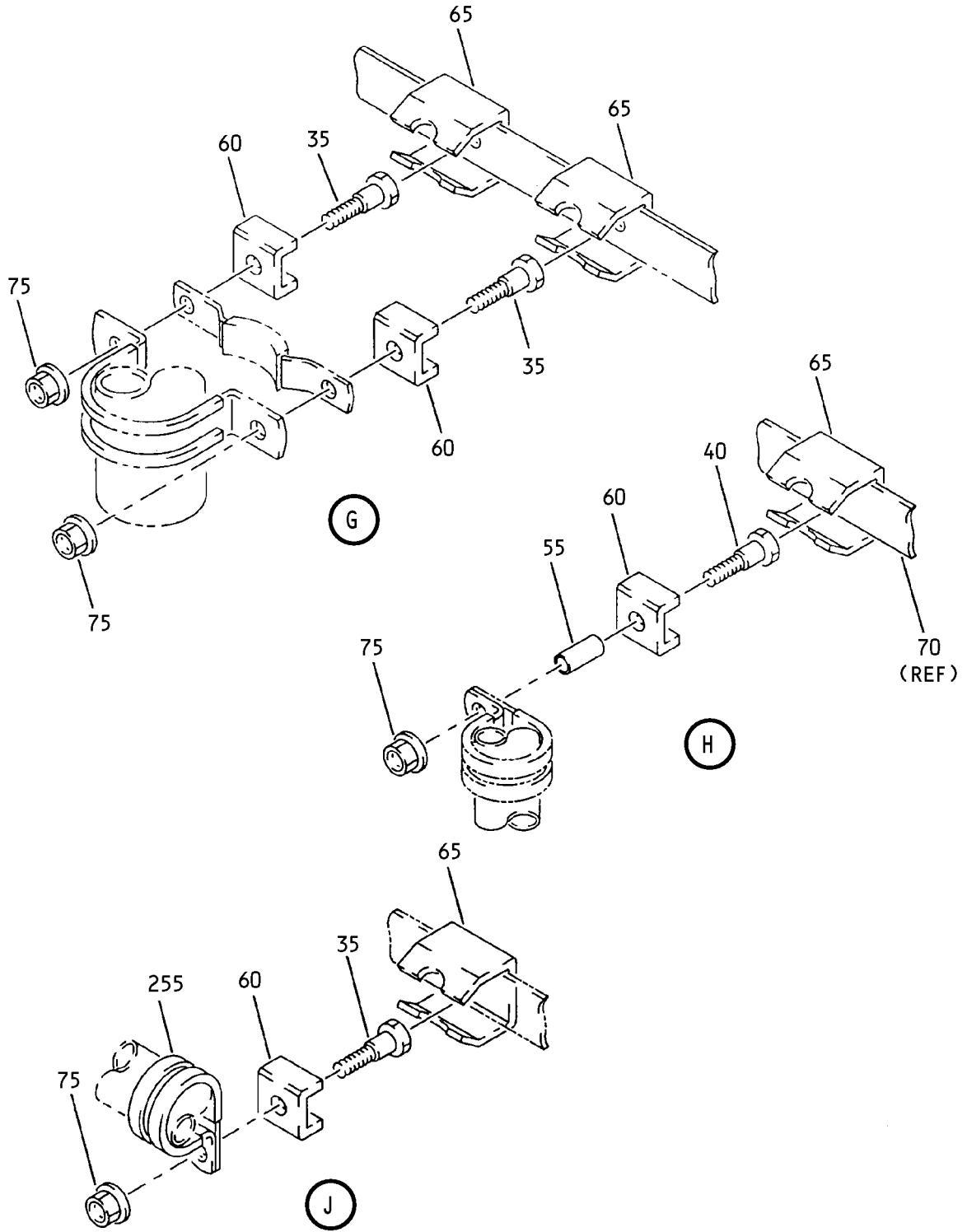
ILLUSTRATED PARTS LIST
01.1 Page 1084D
Jul 01/03



Wire Provision Installation
Figure 6 (Sheet 3)

32-11-28

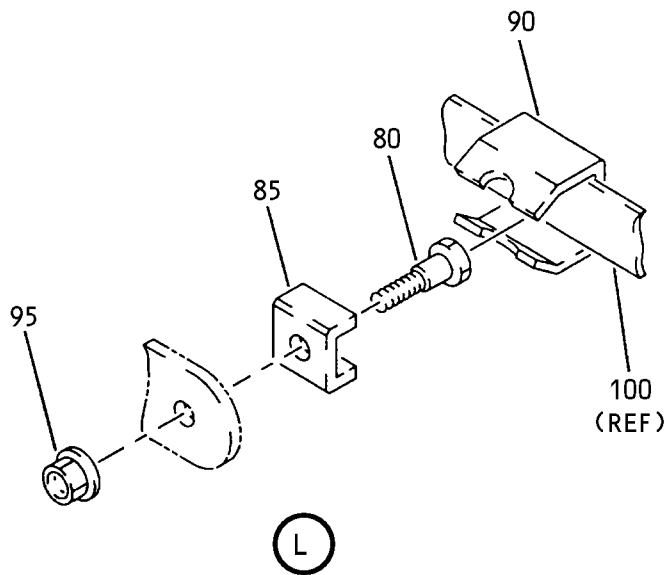
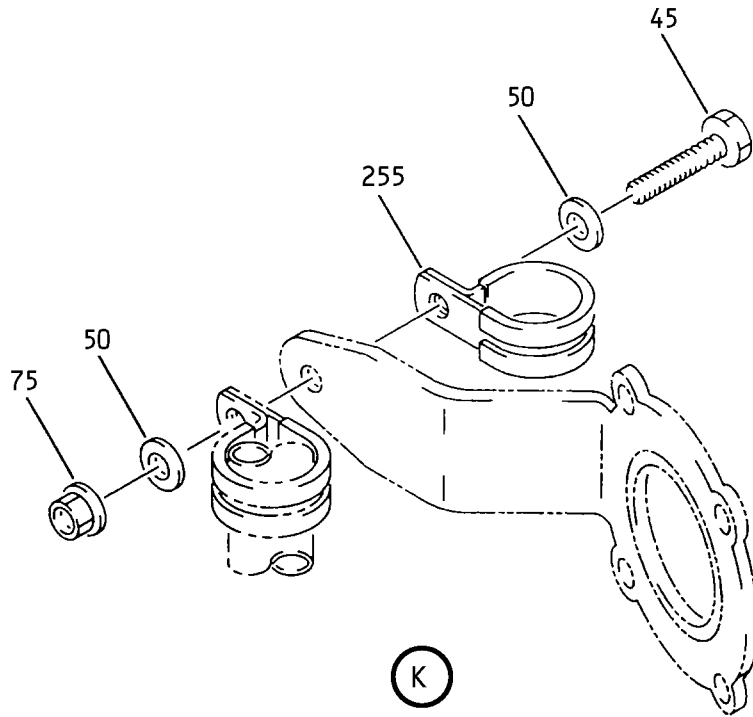
ILLUSTRATED PARTS LIST
01.1 Page 1084E
Jul 01/03



Wire Provision Installation
Figure 6 (Sheet 4)

32-11-28

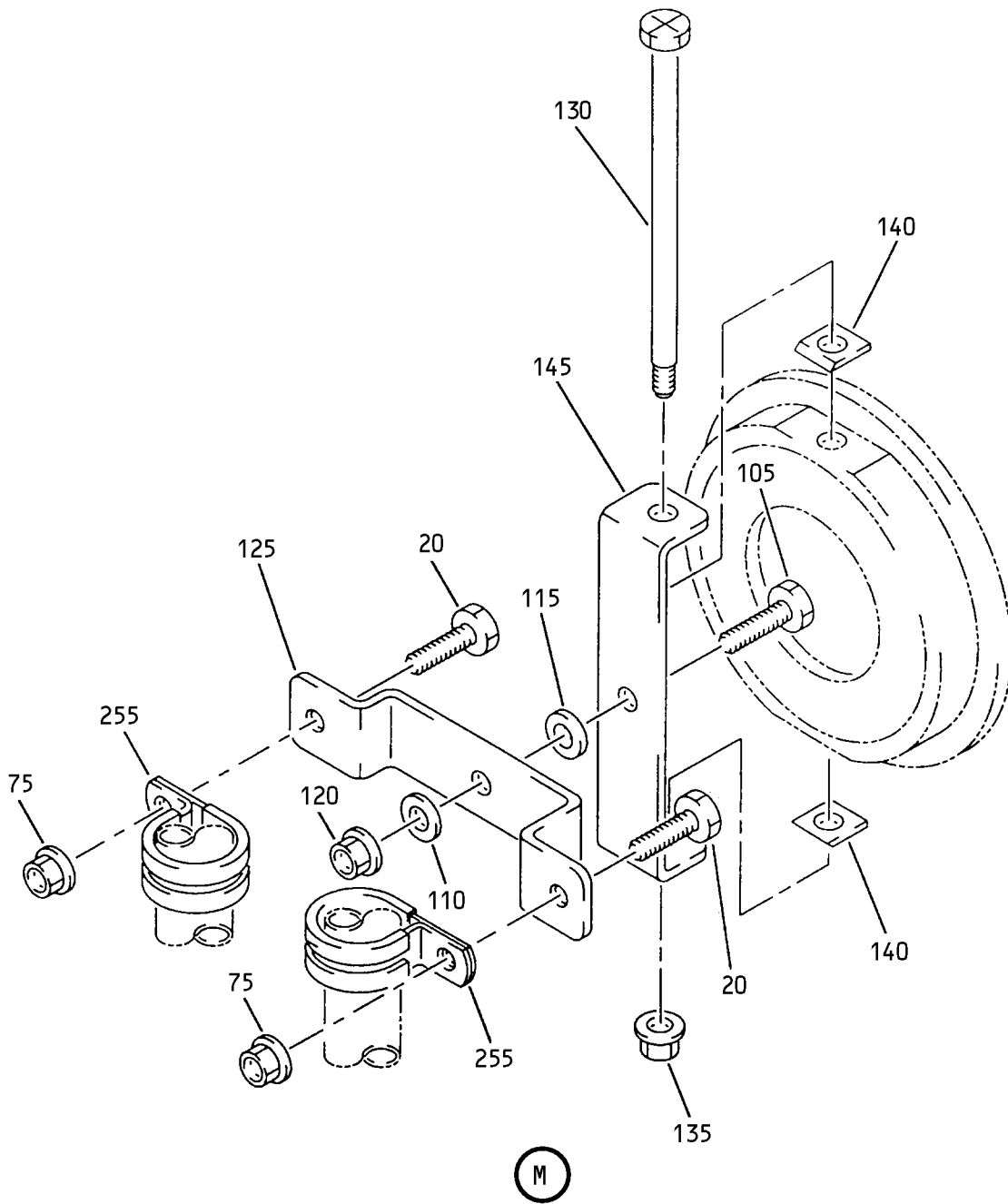
ILLUSTRATED PARTS LIST
01.1 Page 1084F
Jul 01/03



Wire Provision Installation
Figure 6 (Sheet 5)

32-11-28

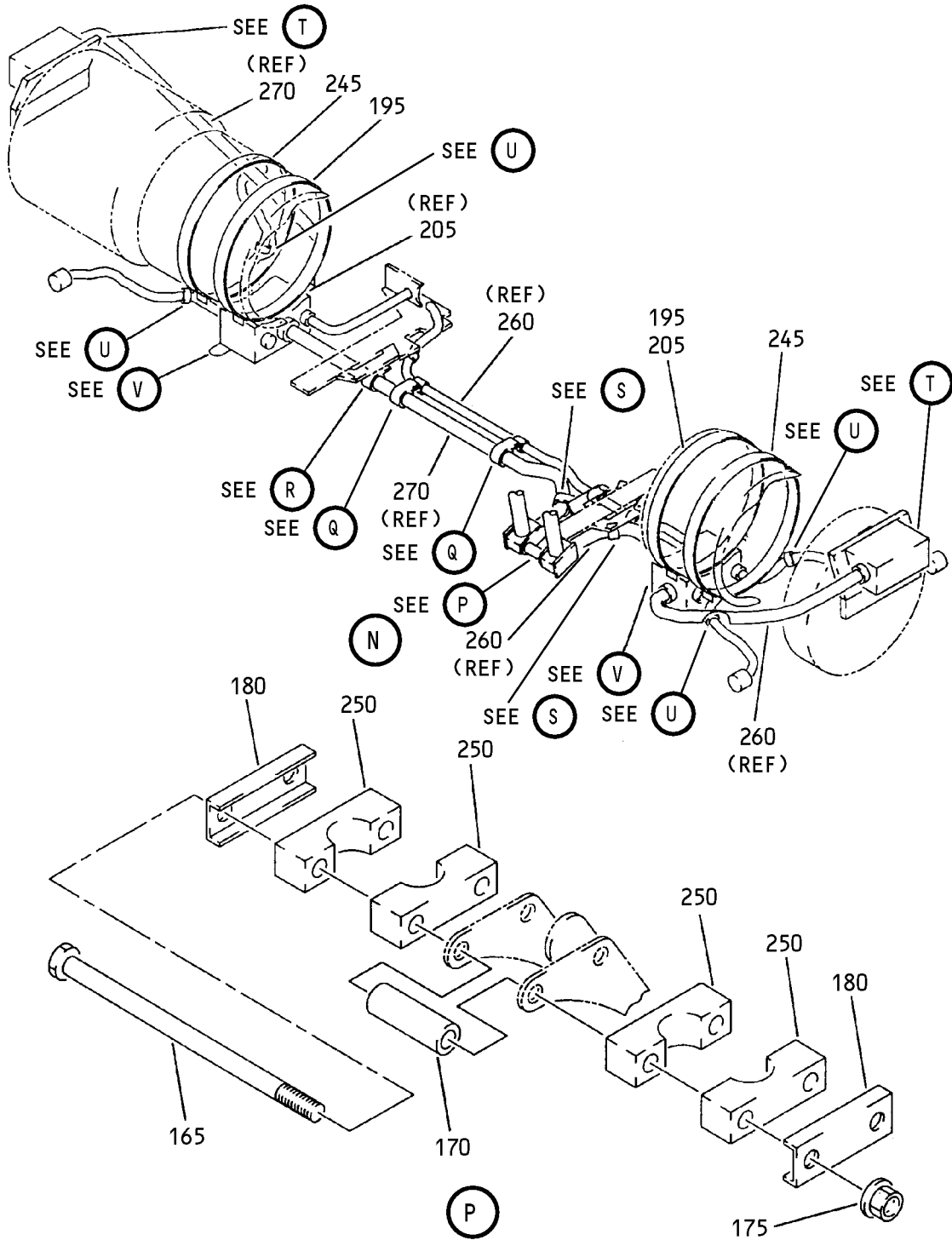
ILLUSTRATED PARTS LIST
01.1 Page 1084G
Jul 01/03



Wire Provision Installation
Figure 6 (Sheet 6)

32-11-28

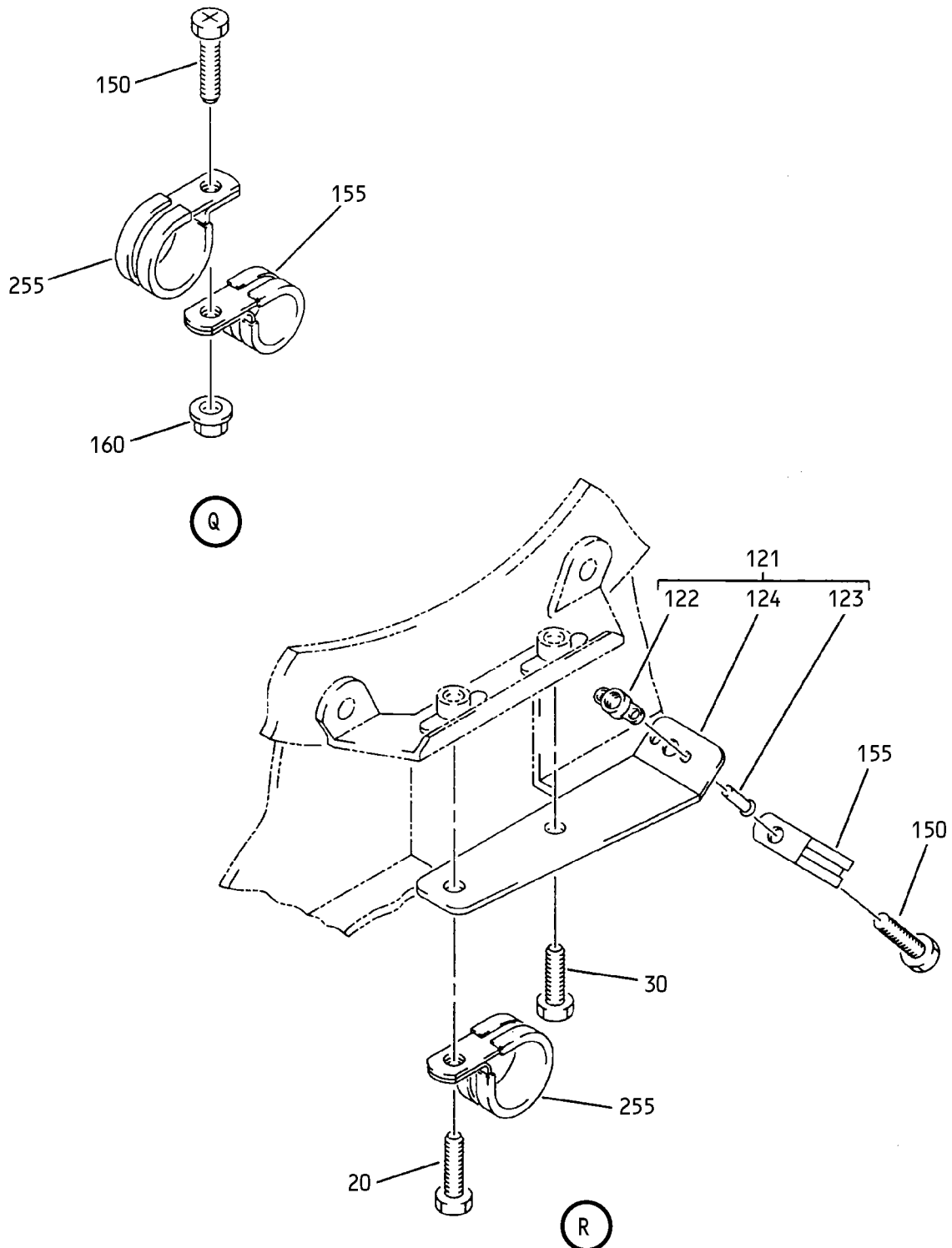
ILLUSTRATED PARTS LIST
01.1 Page 1084H
Jul 01/03



Wire Provision Installation
Figure 6 (Sheet 7)

32-11-28

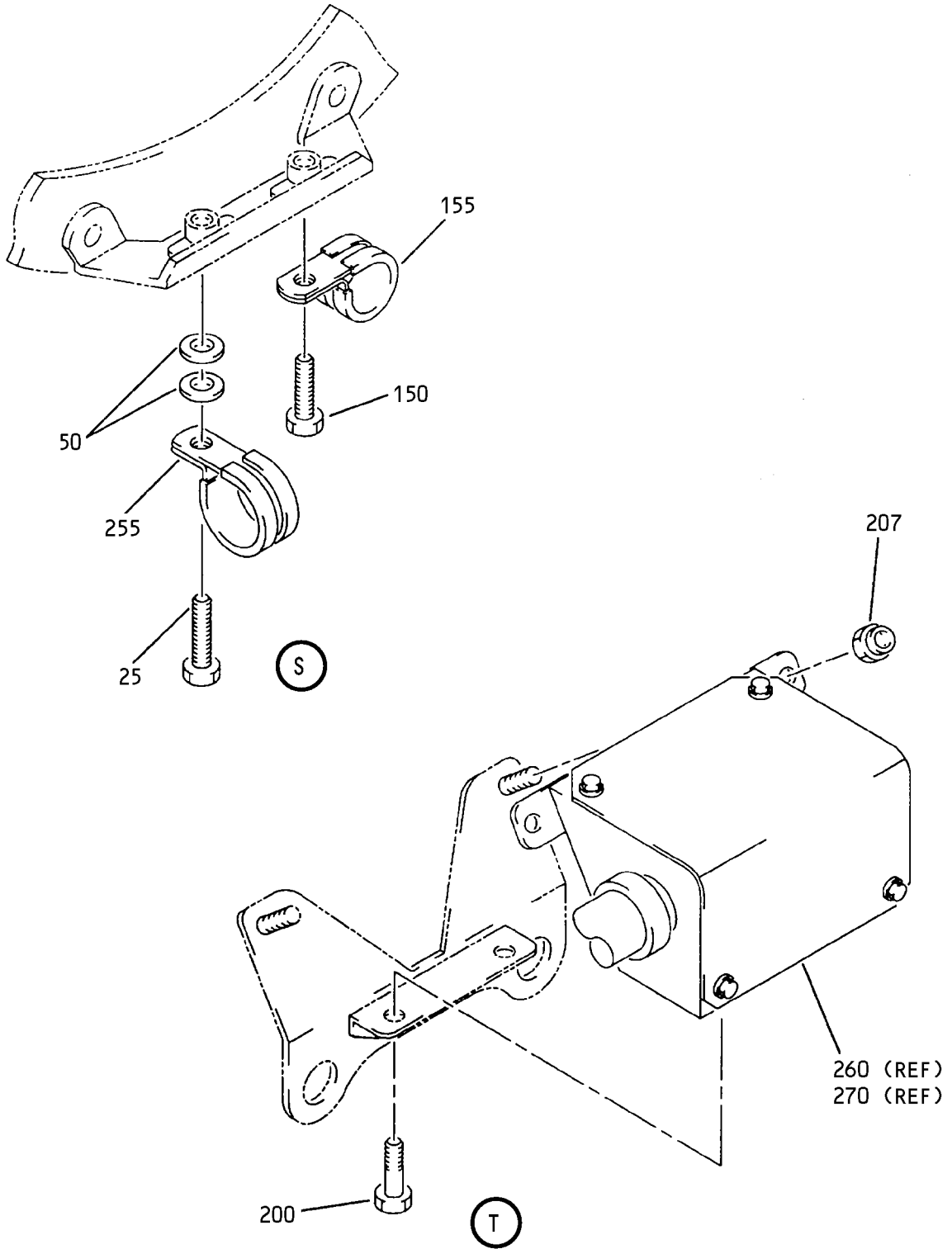
ILLUSTRATED PARTS LIST
01.1 Page 1084I
Jul 01/03



Wire Provision Installation
Figure 6 (Sheet 8)

32-11-28

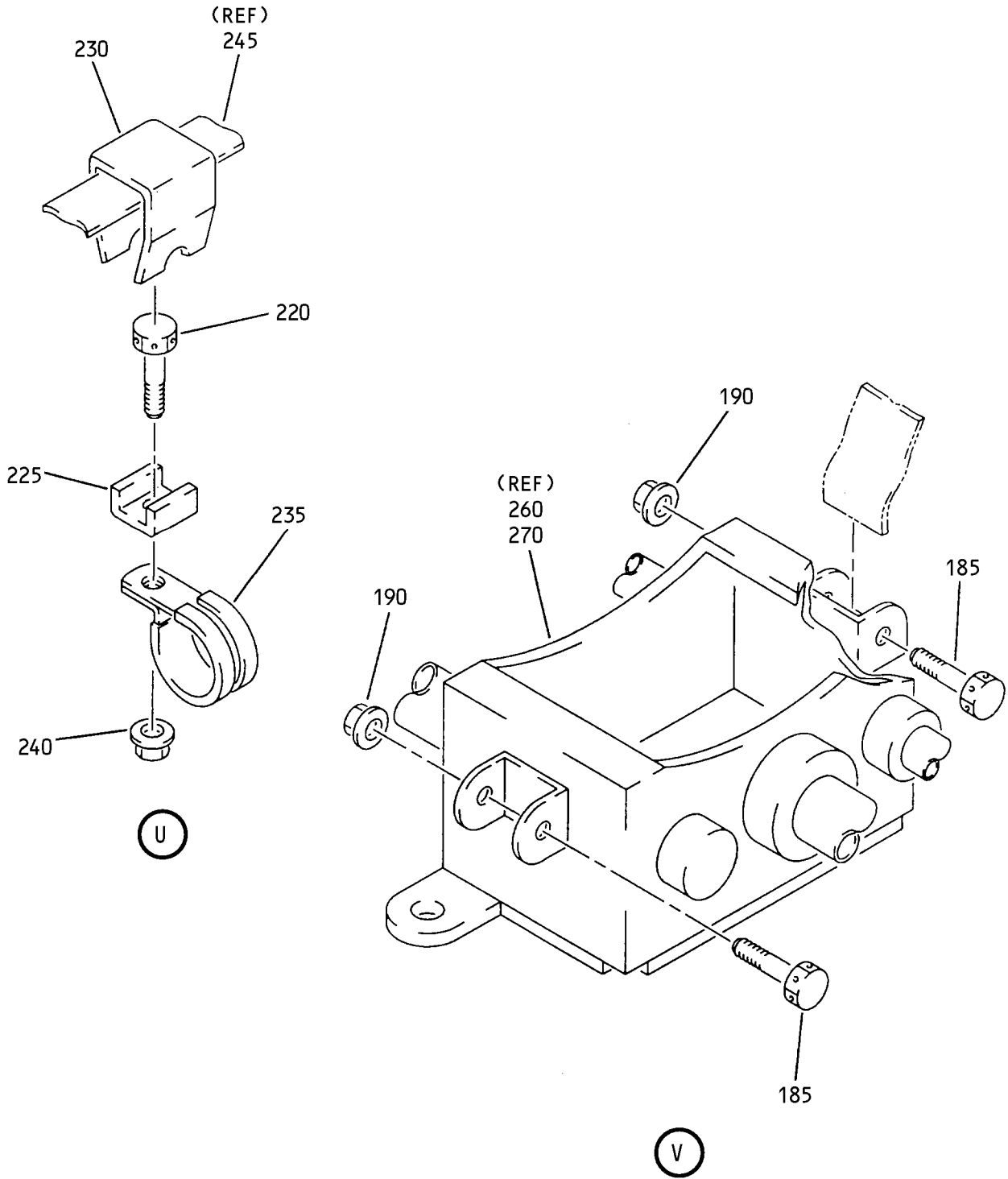
ILLUSTRATED PARTS LIST
01.1 Page 1084J
Jul 01/03



Wire Provision Installation
Figure 6 (Sheet 9)

32-11-28

ILLUSTRATED PARTS LIST
01.1 Page 1084K
Jul 01/03



Wire Provision Installation
 Figure 6 (Sheet 10)

32-11-28

ILLUSTRATED PARTS LIST
 01.1 Page 1084L
 Jul 01/03


BOEING
 COMPONENT
 MAINTENANCE MANUAL

FIG. & ITEM	PART NO.	AIRLINE PART NUMBER	NOMENCLATURE 1234567	EFF CODE	QTY PER ASSY
06- -1	287T6101-405		WIRE PROV INSTL-L MLG, WITH BRAKE TEMP AND TIRE PRESSURE IND, NO BRAKE FAN (0.62 ID CONDUITS)	BN	RF
-1A	287T6101-407		WIRE PROV INSTL-L MLG, WITH BRAKE TEMP AND TIRE PRESSURE IND, NO BRAKE FAN (0.62 ID CONDUITS)	BS	RF
-1B	287T6101-409		WIRE PROV INSTL-L MLG, WITH BRAKE TEMP AND BRAKE FAN, NO TIRE PRESSURE IND (0.62 ID CONDUITS)	BQ	RF
-5	287T6101-406		WIRE PROV INSTL-R MLG, WITH BRAKE TEMP, NO BRAKE FAN, NO TIRE PRESSURE IND (0.62 ID CONDUITS)	BP	RF
-5A	287T6101-408		WIRE PROV INSTL-R MLG, WITH BRAKE TEMP AND TIRE PRESSURE IND, NO BRAKE FAN (0.62 ID CONDUITS)	BT	RF
-5B	287T6101-410		WIRE PROV INSTL-R MLG, WITH BRAKE TEMP AND BRAKE FAN, NO TIRE PRESSURE IND (0.62 ID CONDUITS)	BR	RF
-10	287T6101-101		.BASIC PACKAGE	BN,BQ ,BS	1
-15	287T6101-102		.BASIC PACKAGE	BP,BR ,BT	1
20	NAS1801-3-7		..SCREW	BN-BT	9
25	NAS1801-3-8		..SCREW	BN-BT	2
30	NAS1801-3-6		..SCREW	BN-BT	5
35	NAS6603-3		..BOLT	BN-BT	4
40	NAS6603-10		..BOLT	BN-BT	1
45	NAS1801-3-10		..SCREW	BN-BT	1

32-11-28

 ILLUSTRATED PARTS LIST
 01.1 Page 1084M
 Jul 01/03

FIG. & ITEM	PART NO.	AIRLINE PART NUMBER	NOMENCLATURE 1234567	EFF CODE	QTY PER ASSY
06-					
50	NAS1149D0363J		..WASHER	BN-BT	6
55	NAS42DD6-28FC		..SPACER	BN-BT	1
60	BACB19F10		..BLOCK	BN-BT	4
65	BACC15AN10		..CLIP	BN-BT	5
70	3140AB101E		..CLAMP- (V94581) (SPEC BACC10FY101SE) (OPT BC1083-101SE (V14242)) (OPT NE103338-101 (V8W928))	BN-BT	1
75	MS21042L3		..NUT	BN-BT	18
80	NAS6603-3		..BOLT	BN-BT	4
85	BACB19F10		..BLOCK	BN-BT	4
90	BACC15AN10		..CLIP	BN-BT	4
95	MS21042L3		..NUT	BN-BT	4
100	3140AB116E		..CLAMP- (V94581) (SPEC BACC10FY116SE) (OPT BC1083-116SE (V14242)) (OPT NE103338-116 (V8W928))	BN-BT	2
105	NAS1801-3-8		..SCREW	BN-BT	1
110	AN970-3		..WASHER	BN-BT	1
115	NAS77-3-007		..BUSHING	BN-BT	1
120	MS21042L3		..NUT	BN-BT	1
121	287T6111-39		..BRACKET ASSY	BN-BT	1
122	BRM200A3		...NUTPLATE- (V52828) (SPEC BACN10JP3A) (OPT MK1000-3BAC (V15653)) (OPT NS103197-02 (V80539)) (OPT RMA9201M3 (V72962)) (OPT VN202A1-02 (V92215)) (OPT T8076S1032 (V11815))	BN-BT	1

32-11-28

 ILLUSTRATED PARTS LIST
 01.1 Page 1084N
 Jul 01/03


BOEING
 COMPONENT
 MAINTENANCE MANUAL

FIG. & ITEM	PART NO.	AIRLINE PART NUMBER	NOMENCLATURE 1234567	EFF CODE	QTY PER ASSY
06- 123	BACN15BA3AD		...RIVET- (SIZE DETERMINE ON INST)	BN-BT	2
124	287T6111-40		...BRACKET	BN-BT	1
125	287T6111-22		..BRACKET	BN-BT	1
130	NAS6604-77		..BOLT	BN-BT	1
135	MS21042L4		..NUT	BN-BT	1
140	287T6111-23		..FILLER	BN-BT	2
145	287T6111-21		..BRACKET	BN-BT	1
150	NAS1801-3-6		..SCREW	BN-BT	5
155	JM44LC13WS7R		..CLAMP- (V22175) (SPEC BACC10GE7) (OPT S369WH7 (V18076)) (OPT TA12C32WS7 (V84971)) (OPT 509S7 (V83930))	BN-BT	5
160	MS21042L3		..NUT	BN-BT	2
165	NAS6603-64		..BOLT	BN-BT	2
170	NAS42DD6-92FC		..SPACER	BN-BT	2
175	MS21042L3		..NUT	BN-BT	2
180	287T6111-15		..CHANNEL	BN-BT	2
185	NAS6603-15		..BOLT	BN-BT	4
190	MS2104L3		..NUT	BN-BT	4
195	BCREF116069		..CLAMP- (BACC10ET080-038E)	BN-BT	2
200	NAS6703-3		..BOLT	BN-BT	4
205	Y8412		..TAPE- (V26066)	BN-BT	AR
207	BRH10C3M		.NUT- (V52828) (SPEC BACN10JC3CM) (OPT T6C1032JM (V11815)) (OPT 97E02 (V80539)) (OPT 109LH9075-3W (V72962)) (OPT VN303D02 (V92215)) (OPT NS202101SE02 (V80539)) (OPT H01-3BAC (V15653))	BN-BT	2

32-11-28

ILLUSTRATED PARTS LIST

01.1 Page 10840

Jul 01/03

FIG. & ITEM	PART NO.	AIRLINE PART NUMBER	NOMENCLATURE 1234567	EFF CODE	QTY PER ASSY
06- -210	287T6101-111		.OPTION PACKAGE	BN,BQ ,BS	1
-215	287T6101-112		.OPTION PACKAGE	BP,BR ,BT	1
220	NAS6603-3		..BOLT	BN-BT	4
225	BACB19F10		..BLOCK	BN-BT	4
230	BACC15AN10		..CLIP	BN-BT	4
235	JM44LC13WS7R		..CLAMP- (V22175) (SPEC BACC10GE7) (OPT S369WH7 (V18076)) (OPT TA12C32WS7 (V84971)) (OPT 509S7 (V83930))	BN-BT	4
240	MS21042L3		..NUT	BN-BT	4
245	3140AB081E		..CLAMP- (V94581) (SPEC BACC10FY081SE) (OPT BC1083-081SE (V14242)) (OPT NE103888-081 (V8W928))	BN-BT	2
250	287T6116-5		..BLOCK	BN-BT	4
255	JM44LC13WS12R		..CLAMP- (V22175) (SPEC BACC10GE12) (OPT S369WH12 (V18076)) (OPT TA12C32WS12 (V84971)) (OPT 509S12 (V83930))	BN-BT	17

32-11-28

ILLUSTRATED PARTS LIST

01.1 Page 1084P

Jul 01/03


BOEING
 COMPONENT
 MAINTENANCE MANUAL

FIG. & ITEM	PART NO.	AIRLINE PART NUMBER	NOMENCLATURE 1234567	EFF CODE	QTY PER ASSY
06-260	287T6104-313		.HARNESS ASSY-L GEAR FWD TRUCK (REF CMM 32-10-51)	BN	1
-260A	287T6104-309		.HARNESS ASSY-L GEAR FWD TRUCK (REF CMM 32-10-51)	BQ	1
-260B	287T6104-305		.HARNESS ASSY-L GEAR FWD TRUCK (REF CMM 32-10-52)	BS	1
-265	287T6104-314		.HARNESS ASSY-R GEAR FWD TRUCK (REF CMM 32-10-51)	BP	1
-265A	287T6104-310		.HARNESS ASSY-R GEAR FWD TRUCK (REF CMM 32-10-51)	BR	1
-265B	287T6104-306		.HARNESS ASSY-R GEAR FWD TRUCK (REF CMM 32-10-52)	BT	1
270	287T6104-315		.HARNESS ASSY-L GEAR AFT TRUCK (REF CMM 32-10-51)	BN	1
-270A	287T6104-311		.HARNESS ASSY-L GEAR AFT TRUCK (REF CMM 32-10-51)	BQ	1
-270B	287T6104-307		.HARNESS ASSY-L GEAR AFT TRUCK (REF CMM 32-10-52)	BS	1
-275	287T6104-316		.HARNESS ASSY-R GEAR AFT TRUCK (REF CMM 32-10-51)	BP	1
-275A	287T6104-312		.HARNESS ASSY-R GEAR AFT TRUCK (REF CMM 32-10-51)	BR	1
-275B	287T6104-308		.HARNESS ASSY-R GEAR AFT TRUCK (REF CMM 32-10-52)	BT	1

32-11-28

 ILLUSTRATED PARTS LIST
 01.1 Page 1084Q
 Jul 01/03

FIG. & ITEM	PART NO.	AIRLINE PART NUMBER	NOMENCLATURE 1234567	EFF CODE	QTY PER ASSY
06-					
280	8-345-03		DELETED		
-280A	S283T006-5		DELETED		
285	S287T001-219		DELETED		
-285A	S287T001-205		DELETED		
-290	287T6104-104		DELETED		
-292	S287T001-219		DELETED		
-292A	S287T001-205		DELETED		
295	254871-0218		DELETED		
-295A	S287T001-204		DELETED		
300	287T6104-102		DELETED		
-300A	287T6104-100		DELETED		
305	254871-0216		DELETED		
-305A	S287T001-202		DELETED		
-305B	254871-0214		DELETED		
310	287T6104-103		DELETED		
-310A	287T6104-101		DELETED		
315	254871-0217		DELETED		
-315A	S287T001-203		DELETED		
315B	254871-0215		DELETED		
320	287T6104-105		DELETED		
325	254871-0222		DELETED		
-325A	S287T001-208		DELETED		
330	287T6112-5		DELETED		
335	BACN10WW10C		DELETED		
340	BACF32H10C		DELETED		
345	287T6112-6		DELETED		
350	G70259T77-35		DELETED		
355	287T6104-42		DELETED		
360	287T6104-43		DELETED		
365	287T6104-44		DELETED		
370	287T6104-51		DELETED		
375	287T6104-52		DELETED		

32-11-28

 ILLUSTRATED PARTS LIST
 01.1 Page 1084R
 Jul 01/03


BOEING
 COMPONENT
 MAINTENANCE MANUAL

FIG. & ITEM	PART NO.	AIRLINE PART NUMBER	NOMENCLATURE 1234567	EFF CODE	QTY PER ASSY
06-					
380	287T6104-53		DELETED		
385	287T6104-54		DELETED		
390	MS35275-231		DELETED		
-390A	AN500AD6-10		DELETED		
395	NAS1057T1-006		DELETED		
400	BACN10WW6C		DELETED		
405	287T6111-31		DELETED		
410	NAS1801-3-6		DELETED		
415	NAS6603-5		DELETED		
420	NAS42HT6-8		DELETED		
425	MS21042L3		DELETED		
427	JM44LC13WS10R		DELETED		
430	287T6104-18		DELETED		
435	TFE2X		DELETED		
440	287T6106-12		DELETED		
-440A	287T6106-11		DELETED		
445	NAS6703-3		DELETED		
450	AN960C10		DELETED		
455	MS20427M3		DELETED		
460	MF6001-3		DELETED		
465	MS20427M4		DELETED		
-465A	MS20427M4		DELETED		
-465B	BACR15CE4M		DELETED		
470	287U0038-4		DELETED		
-470A	69B71058-1		DELETED		
-470B	287U0038-1		DELETED		
475	287T6116-10		DELETED		
480	287T6106-14		DELETED		
-480A	287T6106-9		DELETED		
485	287T6132-1		DELETED		
485A	287T6106-13		DELETED		
490	MS21209F1-20		DELETED		
495	MS20427M3		DELETED		
500	T8102C3CK		DELETED		
505	MS20427M3		DELETED		
510	T8102C3CK		DELETED		
515	287T6132-2		DELETED		
515A	287T6106-2		DELETED		
520	287T6108-17		DELETED		
525	NAS514P1032-6P		DELETED		
530	MS20615-3M4		DELETED		
535	MF6001-3		DELETED		
540	287T6108-30		DELETED		
545	287T6108-31		DELETED		
-545A	287T6108-11		DELETED		

32-11-28

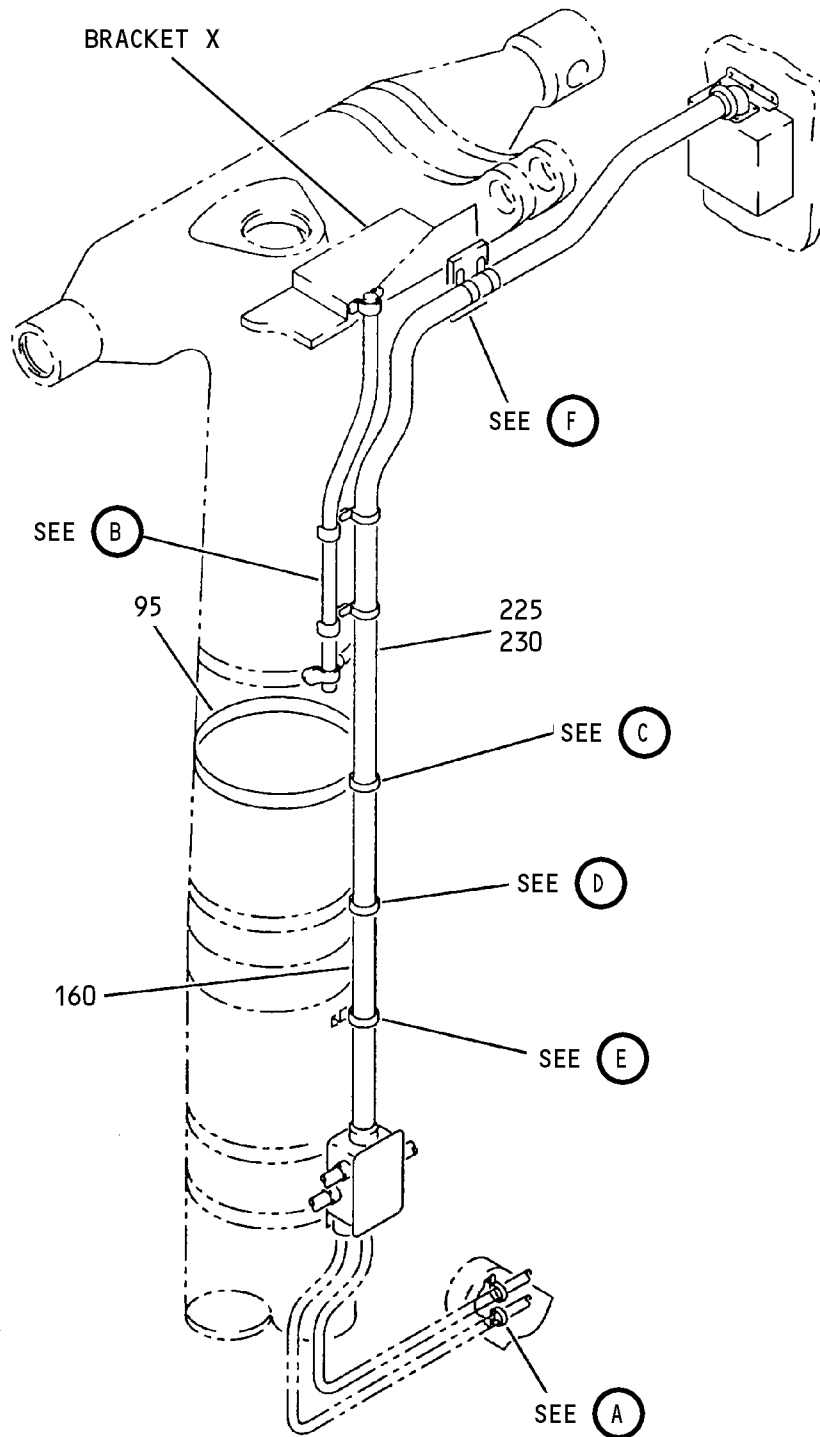
 ILLUSTRATED PARTS LIST
 01.1 Page 1084S
 Jul 01/03

FIG. & ITEM	PART NO.	AIRLINE PART NUMBER	NOMENCLATURE	EFF CODE	QTY PER ASSY
			1234567		
06-					
-545B	287T6108-21		DELETED		
550	287T6108-25		DELETED		
-550A	287T6108-10		DELETED		
555	NAS6603-3		DELETED		
560	AN960C10L		DELETED		
565	F22K1-02		DELETED		
570	287T6108-27		DELETED		
575	287T6133-1		DELETED		

- Item Not Illustrated

32-11-28

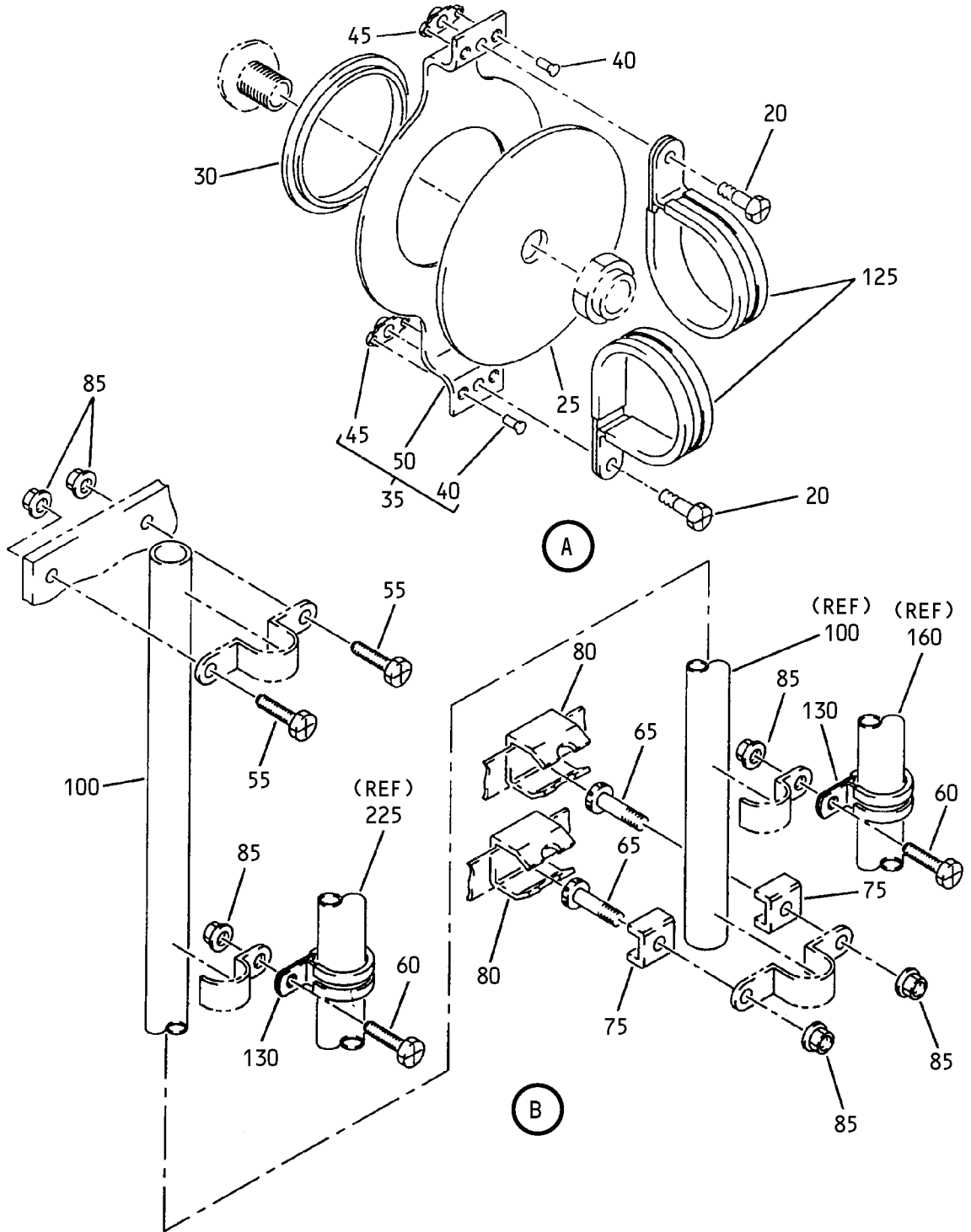
ILLUSTRATED PARTS LIST
 01.1 Page 1084T
 Jul 01/03



Wire Provision Installation
Figure 7 (Sheet 1)

32-11-28

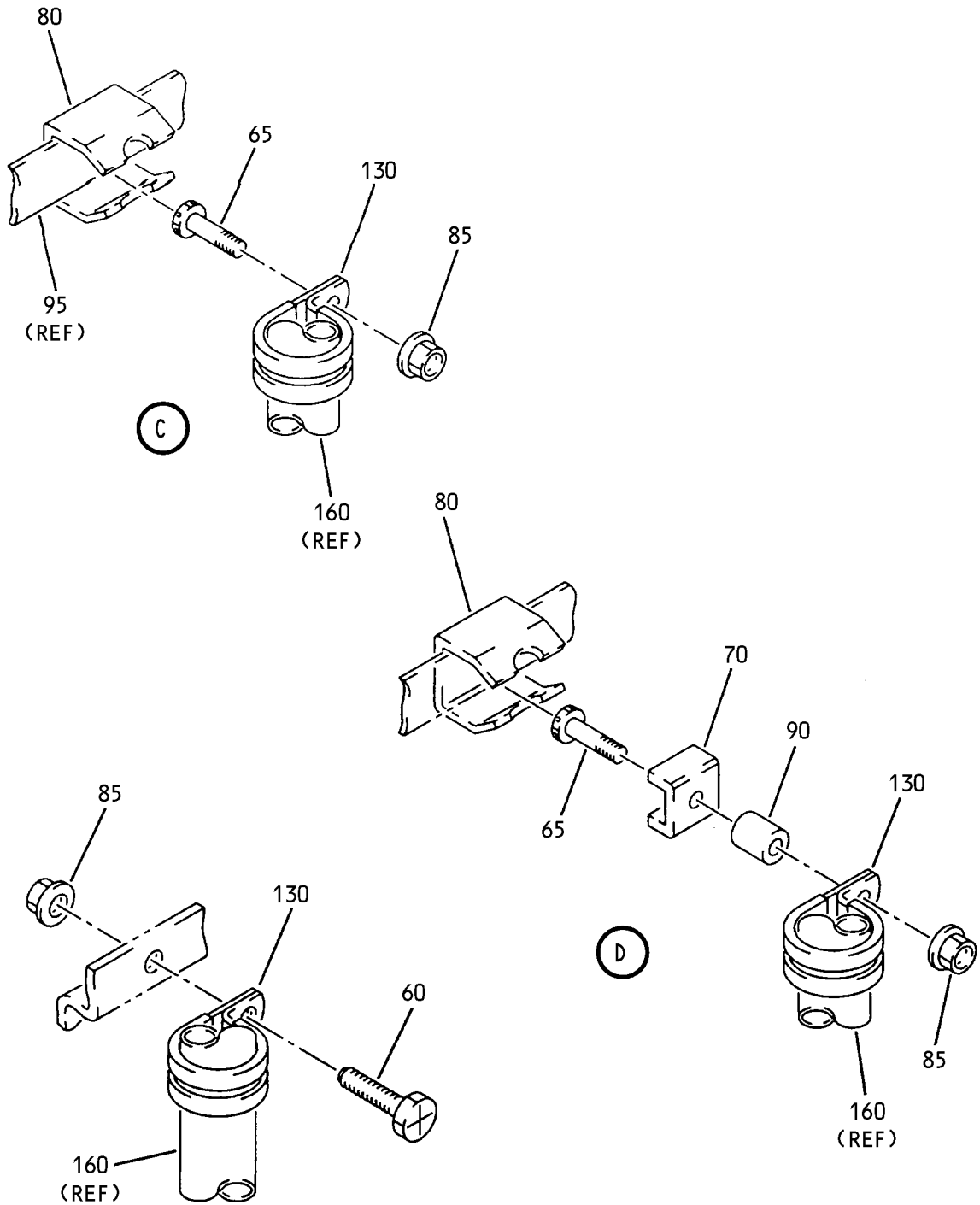
ILLUSTRATED PARTS LIST
01.1 Page 1084U
Jul 01/03



Wire Provision Installation
Figure 7 (Sheet 2)

32-11-28

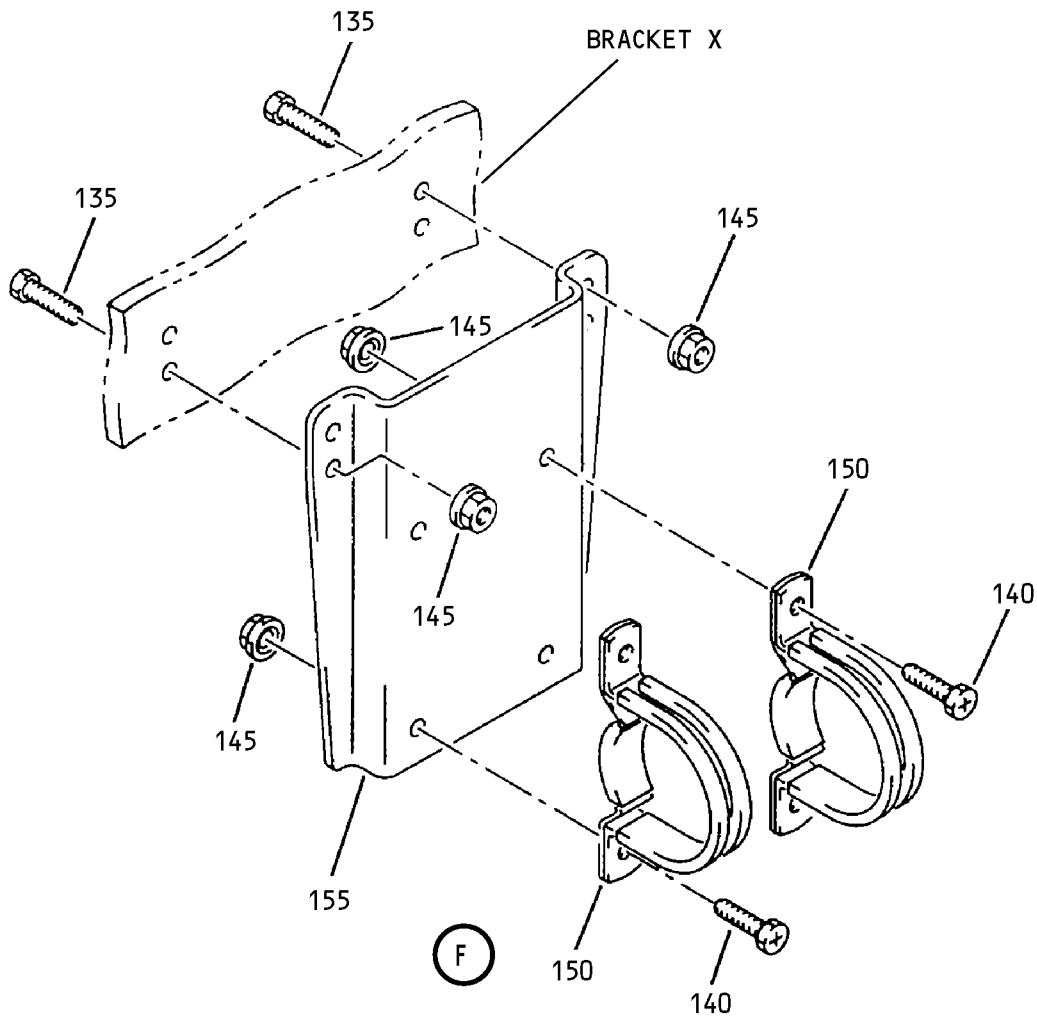
ILLUSTRATED PARTS LIST
01.1 Page 1084V
Jul 01/03



Wire Provision Installation
Figure 7 (Sheet 3)

32-11-28

ILLUSTRATED PARTS LIST
01.1 Page 1084W
Jul 01/03



Wire Provision Installation
Figure 7 (Sheet 4)

32-11-28

ILLUSTRATED PARTS LIST
01.1 Page 1084X
Jul 01/03


BOEING
 COMPONENT
 MAINTENANCE MANUAL

FIG. & ITEM	PART NO.	AIRLINE PART NUMBER	NOMENCLATURE 1234567	EFF CODE	QTY PER ASSY
07- -1	287T6101-411		WIRE PROV INSTL-L MLG, NO BRAKE TEMP, NO BRAKE FAN, NO TIRE PRESSURE IND (0.50 ID CONDUITS)	CB	RF
-1A	287T6101-413		WIRE PROV INSTL-L MLG, WITH BRAKE TEMP, NO BRAKE FAN, NO TIRE PRESSURE IND (0.62 ID CONDUITS)	BG	RF
-5	287T6101-412		WIRE PROV INSTL-R MLG, NO BRAKE TEMP, NO BRAKE FAN, NO TIRE PRESSURE IND (0.50 ID CONDUITS)	CG	RF
-5A	287T6101-414		WIRE PROV INSTL-R MLG, WITH BRAKE TEMP, NO BRAKE FAN, NO TIRE PRESSURE IND (0.62 ID CONDUITS)	BH	RF
-10	287T6101-103		.BASIC PACKAGE	BG,CB	1
-15	287T6101-104		.BASIC PACKAGE	BH,CG	1
20	NAS1801-3-7		..SCREW	BG,BH ,CB,C G	2
25	AN970-8		..WASHER	BG,BH ,CB,C G	1
30	NAS77A16-010P		..BUSHING	BG,BH ,CB,C G	1
35	287T6109-1		..BRACKET ASSY	BG,BH ,CB,C G	1
40	BACR15BA3AD		...RIVET- (SIZE DETERMINE ON INST)	BG,BH ,CB,C G	4
45	T8097S1032K		...NUTPLATE- (V11815) (SPEC BACN10KA3A) (OPT NS103226-02 (V80539))	BG,BH ,CB,C G	2
50	287T6109-2		...BRACKET	BG,BH ,CB,C G	1
55	NAS1801-3-8		..SCREW	BG,BH ,CB,C G	2

32-11-28

ILLUSTRATED PARTS LIST

01.1 Page 1084Y

Jul 01/03

FIG. & ITEM	PART NO.	AIRLINE PART NUMBER	NOMENCLATURE 1234567	EFF CODE	QTY PER ASSY
07-60	NAS1801-3-6		..SCREW	BG,BH ,CB,C G	3
65	NAS6603-3		..BOLT	BG,BH ,CB,C G	4
70	BACB19F10		..BLOCK	BG,BH ,CB,C G	1
75	BACB15F10		..BLOCK	BG,BH ,CB,C G	3
80	BACC15AN10		..CLIP	BG,BH ,CB,C G	4
85	MS21042L3		..NUT	BG,BH ,CB,C G	9
90	NAS42DD6-28FC		..SPACER	BG,BH ,CB,C G	1
95	3140AB101E		..CLAMP- (V94581) (SPEC BACC10FY101SE) (OPT BC1083-101SE (V14242)) (OPT NE103338-101 (V8W928))	BG,BH ,CB,C G	1
100	287T6114-7		..TUBE ASSY	BG,CB	1
-105	287T6114-8		..TUBE ASSY	BH,CG	1
-110	Y8412		..TAPE- (V26066)	BG,BH ,CB,C G	AR

32-11-28

 ILLUSTRATED PARTS LIST
 01.1 Page 1084Z
 Jul 01/03


BOEING
 COMPONENT
 MAINTENANCE MANUAL

FIG. & ITEM	PART NO.	AIRLINE PART NUMBER	NOMENCLATURE 1234567	EFF CODE	QTY PER ASSY
07-					
-115	287T6101-105		.OPTION PACKAGE	BG, CB	1
-120	287T6101-106		.OPTION PACKAGE	BH, CG	1
125	JM44LC13WS12R		..CLAMP- (V22175) (SPEC BACC10GE12) (OPT S369WH12 (V18076)) (OPT TA12C32WS12 (V84971)) (OPT 509S12 (V83930))	BG, BH , CB, C G	2
130	JM44LC13WS20R		..CLAMP- (V22175) (SPEC BACC10GE20) (OPT S369WH20 (V18076)) (OPT TA12C32WS20 (V84971)) (OPT 509S20 (V83930))	BG, BH , CB, C G	5
135	NAS1801-3-8		..SCREW	BG, BH , CB, C G	4
140	NAS1801-3-7		..SCREW	BG, BH , CB, C G	4
145	MS21042L3		..NUT	BG, BH , CB, C G	8
150	BACC10GF20C		..CLAMP	BG, BH , CB, C G	2

32-11-28

ILLUSTRATED PARTS LIST

01.1

Page 1085

Jul 01/03

FIG. & ITEM	PART NO.	AIRLINE PART NUMBER	NOMENCLATURE 1234567	EFF CODE	QTY PER ASSY
07-155	287T6111-43		. . BRACKET	BG, BH , CB, C G	1
160	287T6104-317		. HARNESS ASSY-L GEAR REAR SPAR TO OLEO (REF CMM 32-10-51)	CB	1
-160A	287T6104-323		. HARNESS ASSY-L GEAR REAR SPAR TO OLEO (REF CMM 32-10-51)	BG	1
-165	287T6104-318		. HARNESS ASSY-R GEAR REAR SPAR TO OLEO (REF CMM 32-10-51)	CG	1
-165A	287T6104-324		. HARNESS ASSY-R GEAR REAR SPAR TO OLEO (REF CMM 32-10-51)	BH	1
170	NAS1801-04-6		DELETED		
175	NAS1149CN416R		DELETED		
180	BRH10C04D		DELETED		
185	NAS1801-3-8		DELETED		
190	BACN10JC3CD		DELETED		
195	NAS1801-3-6		DELETED		
200	NAS1149D0363J		DELETED		
205	287T6105-4		DELETED		
210	6-2S20KC		DELETED		
215	28-12S20KC		DELETED		
220	TFE2X		DELETED		
225	287T6104-108		DELETED		
230	254871-0227		DELETED		
-230A	S287T001-201		DELETED		
235	287T6107-11		DELETED		
-240	287T6107-12		DELETED		
245	MS20427M3		DELETED		
-245A	BACR15DR3A		DELETED		
250	NAS1801-3-7		DELETED		
255	AN960XC10L		DELETED		
260	BRFM20C3M		DELETED		
265	287T6107-10		DELETED		
270	287T6107-13		DELETED		
-275	287T6107-14		DELETED		

32-11-28

 ILLUSTRATED PARTS LIST
 01.1 Page 1086
 Jul 01/03


BOEING
 COMPONENT
 MAINTENANCE MANUAL

FIG. & ITEM	PART NO.	AIRLINE PART NUMBER	NOMENCLATURE 1234567	EFF CODE	QTY PER ASSY
07-					
280	287T6105-5		DELETED		
285	BACR15BB6D		DELETED		
290	AN960PD10		DELETED		
295	287T6111-9		DELETED		
300	BACR15BB3A		DELETED		
305	287T6119-1		DELETED		
310	BACR15BB3A		DELETED		
315	MF6000-3		DELETED		
320	287T6105-2		DELETED		

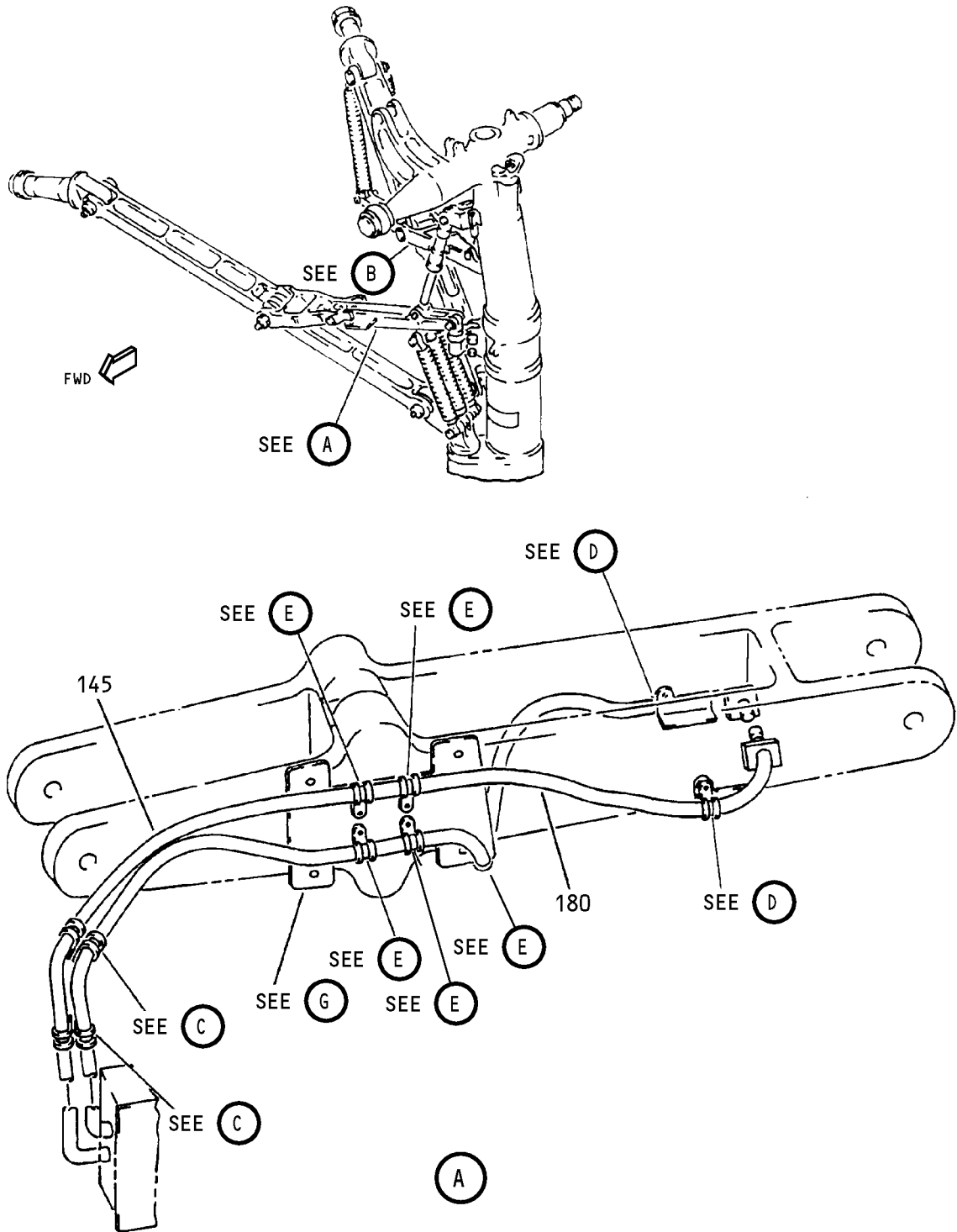
- Item Not Illustrated

32-11-28

ILLUSTRATED PARTS LIST

01.1 Page 1086A

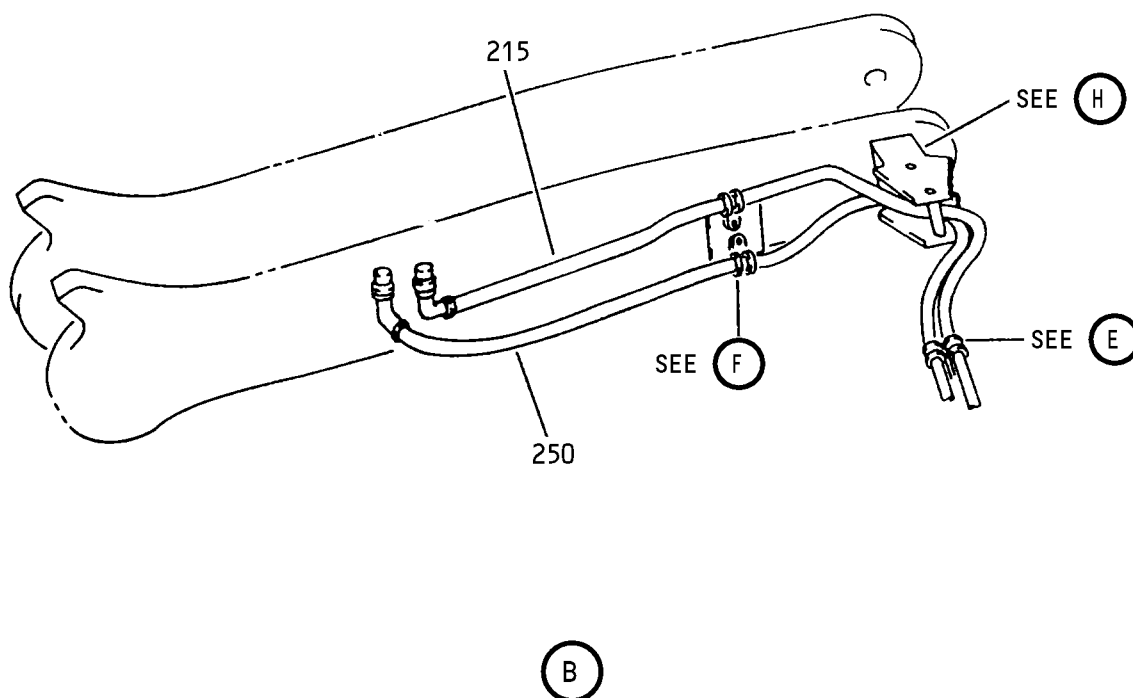
Jul 01/03



Wire Provision Installation
Figure 8 (Sheet 1)

32-11-28

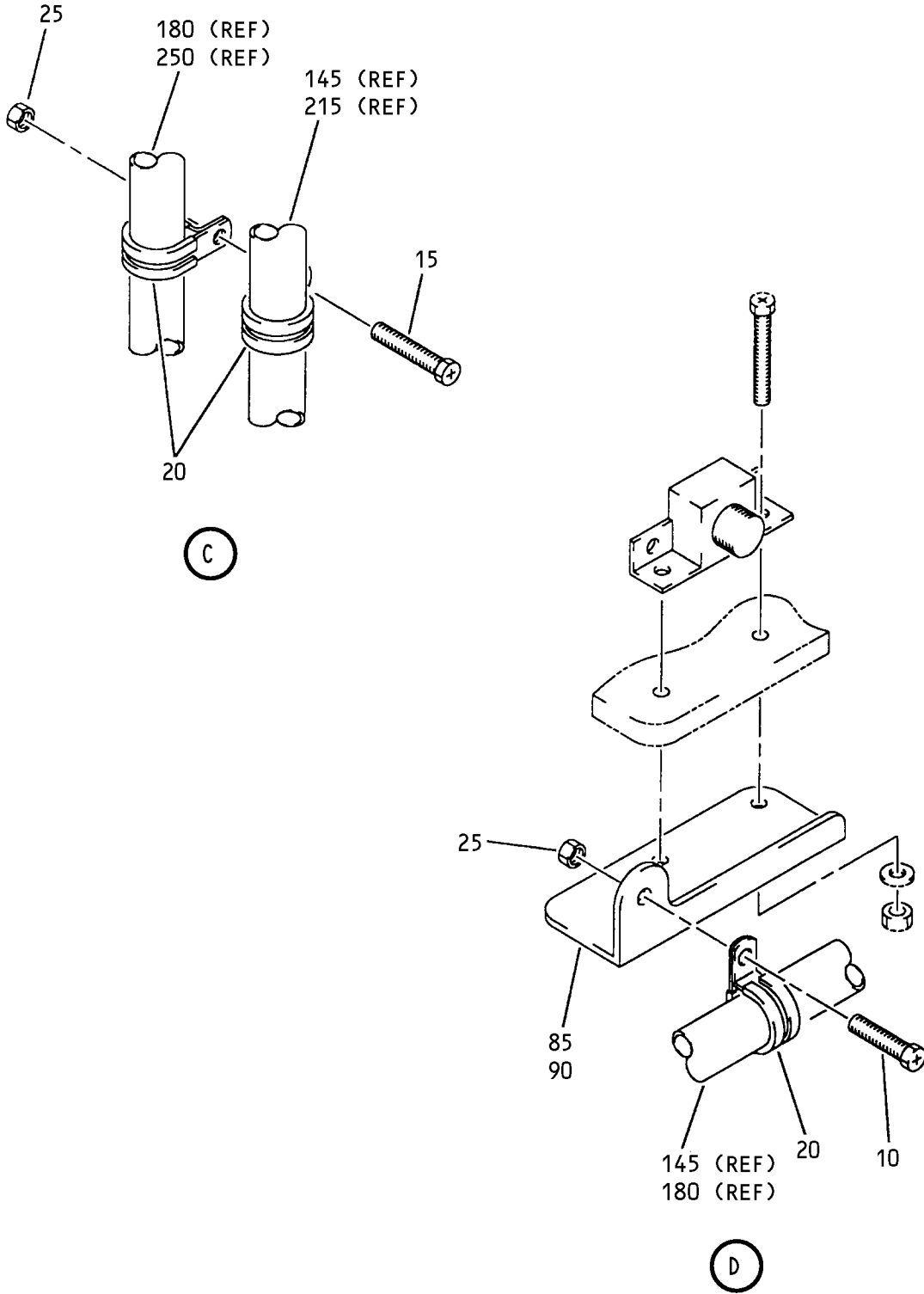
ILLUSTRATED PARTS LIST
01.1 Page 1086C
Jul 01/03



Wire Provision Installation
Figure 8 (Sheet 2)

32-11-28

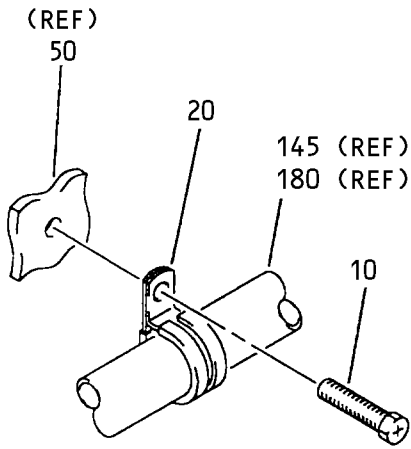
ILLUSTRATED PARTS LIST
01.1 Page 1086D
Jul 01/03



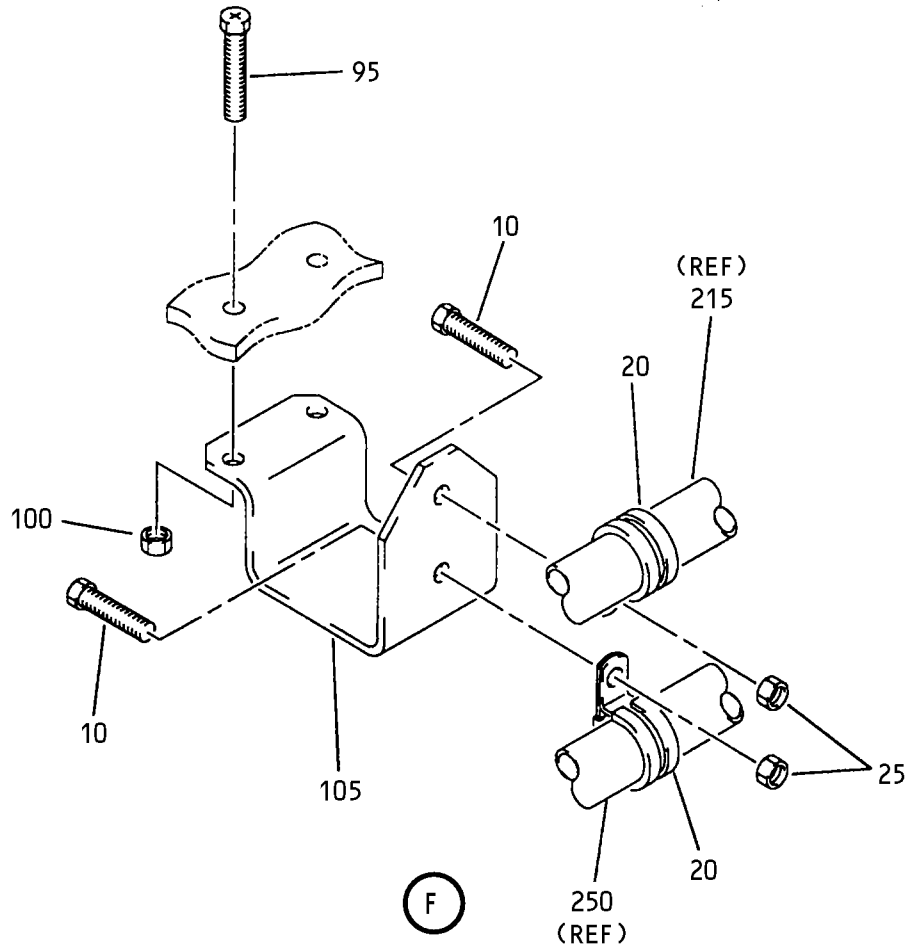
Wire Provision Installation
Figure 8 (Sheet 3)

32-11-28

ILLUSTRATED PARTS LIST
01.1 Page 1086E
Jul 01/03



(E)

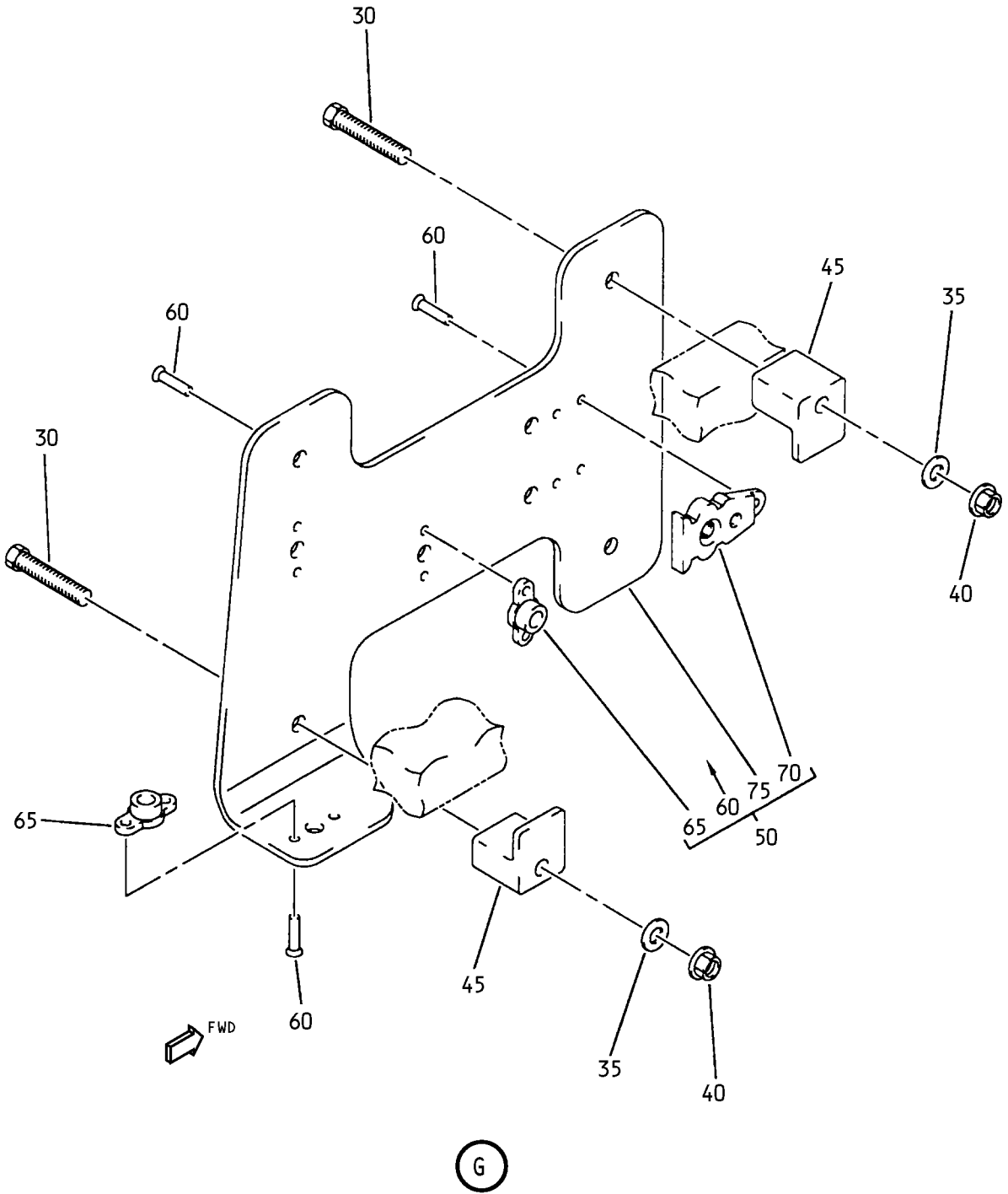


(F)

Wire Provision Installation
 Figure 8 (Sheet 4)

32-11-28

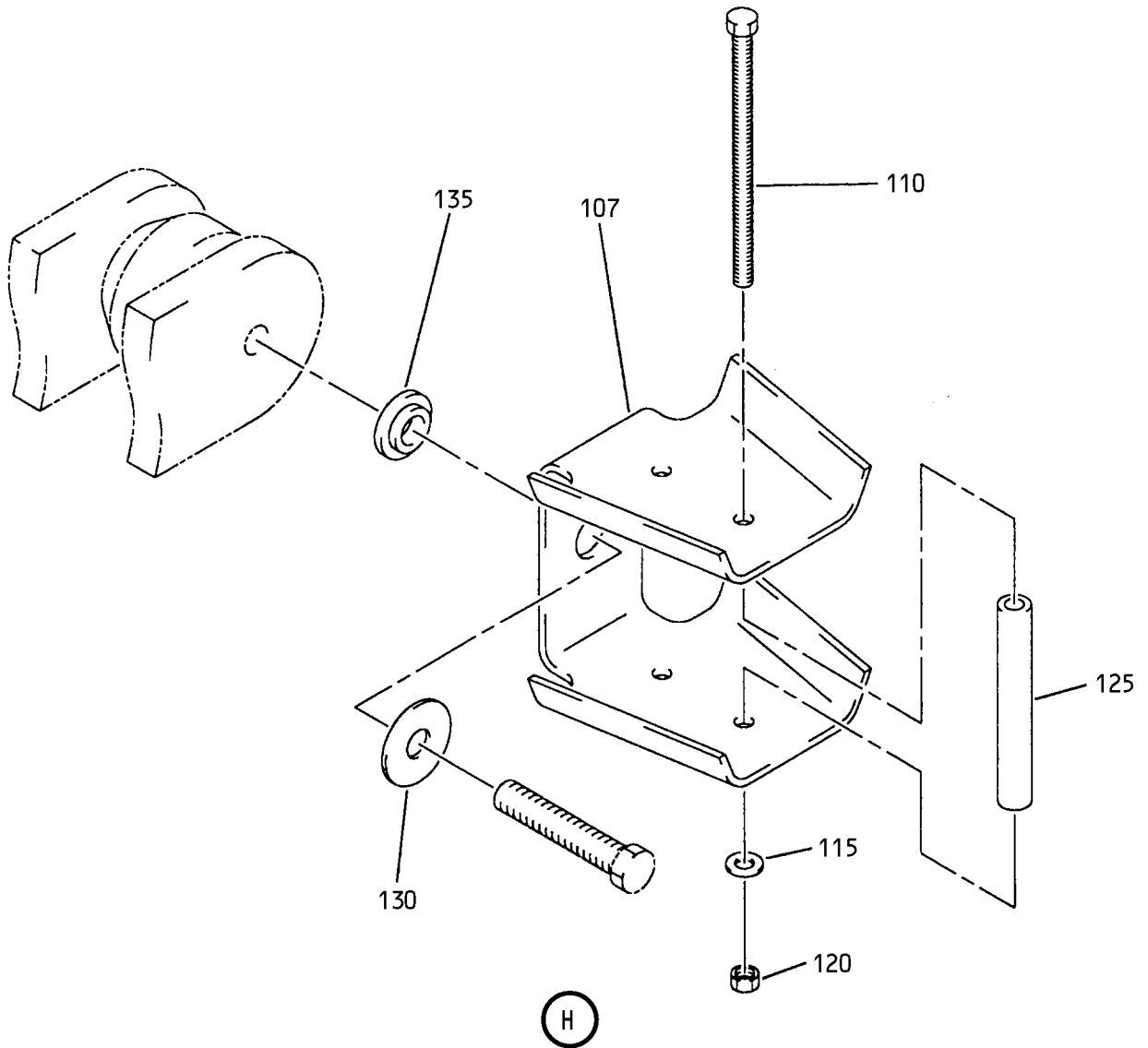
ILLUSTRATED PARTS LIST
 01.1 Page 1086F
 Jul 01/03



Wire Provision Installation
Figure 8 (Sheet 5)

32-11-28

ILLUSTRATED PARTS LIST
01.1 Page 1086G
Jul 01/03



Wire Provision Installation
Figure 8 (Sheet 6)

32-11-28

ILLUSTRATED PARTS LIST
01.1 Page 1086H
Jul 01/03


BOEING
 COMPONENT
 MAINTENANCE MANUAL

FIG. & ITEM	PART NO.	AIRLINE PART NUMBER	NOMENCLATURE 1234567	EFF CODE	QTY PER ASSY
08-					
-1	287T6101-401		WIRE PROV INSTL-L	BU	RF
-1A	287T6101-437		WIRE PROV INSTL-L	BW	RF
-5	287T6101-402		WIRE PROV INSTL-R	BV	RF
-5A	287T6101-438		WIRE PROV INSTL-R	BX	RF
10	NAS1801-3-6		.SCREW	BU-BX	9
15	NAS1801-3-8		.SCREW	BU-BX	3
20	JM44LC13WS7R		.CLAMP- (V22175) (SPEC BACC10GE7) (OPT S369WH7 (V18076)) (OPT TA12C32WS7 (V84971)) (OPT 509S7 (V83930))	BU-BX	15
25	MS21042L3		.NUT	BU-BX	7
30	NAS1801-3-19		.SCREW	BU-BX	4
35	NAS1149D0332J		.WASHER	BU-BX	4
40	MS21042L3		.NUT	BU-BX	4
45	287T6121-1		.BRACKET-SPRT	BU-BX	4
50	287T6120-1		.BRACKET ASSY	BU,BW	1
-55	287T6120-2		.BRACKET ASSY	BV,BX	1
60	BACR15BA3AD		..RIVET- (SIZE DETERMINE ON INST)	BU-BX	10
65	BRM200A3		..NUTPLATE- (V52828) (SPEC BACN10JP3A) (OPT MK1000-3BAC (V15653)) (OPT NS103197-02 (V80539)) (OPT RMA9201M3 (V72962)) (OPT VN202A1-02 (V92215)) (OPT T8076S1032 (V11815))	BU-BX	3

32-11-28

ILLUSTRATED PARTS LIST

01.1 Page 1086I

Jul 01/03

FIG. & ITEM	PART NO.	AIRLINE PART NUMBER	NOMENCLATURE 1234567	EFF CODE	QTY PER ASSY
08-70	BR1000A3		..NUTPLATE- (V52828) (SPEC BACN10KB3) (OPT NS103184-02 (V80539)) (OPT RMA9207-3 (V72962)) (OPT T8109S1032 (V11815)) (OPT VN101A1-02 (V92215)) (OPT K2000-3 (V15653))	BU-BX	2
75	287T6120-3		..BRACKET	BU,BW	1
-80	287T6120-4		..BRACKET	BV,BX	1
85	287T6111-3		.ANGLE	BU-BX	1
90	287T6111-4		.ANGLE	BU-BX	1
95	NAS1801-3-8		.SCREW	BU-BX	2
100	MS21042L3		.NUT	BU-BX	2
105	287T6111-25		.BRACKET	BU-BX	1
107	287T6111-87		.BRACKET	BU-BX	1
110	NAS1801-3-55		.SCREW	BU-BX	2
115	NAS1149D0332J		.WASHER	BU-BX	2
120	MS21042L3		.NUT	BU-BX	2
125	NAS43DD3-192FC		.SPACER	BU-BX	2
130	AN970-6		.WASHER	BU-BX	1
135	BACB28X6M010		.BUSHING	BU-BX	1
-140	Y8412		.TAPE- (V26066)	BU-BX	AR
145	287T6104-325		.HARNES ASSY-DRAG BRACE, SYS 1, S237 (REF CMM 32-10-51)	BU	1
-145A	287T6104-353		.HARNES ASSY-DRAG BRACE, SYS 1, S237 (REF CMM 32-10-51)	BW	1
-150	287T6104-325		.HARNES ASSY-DRAG BRACE, SYS 1, S241 (REF CMM 32-10-51)	BV	1
-150A	287T6104-350		.HARNES ASSY-DRAG BRACE, SYS 1, S241 (REF CMM 32-10-51)	BX	1
155	8-344-03		DELETED		
-155A	8-344-01		DELETED		
-155B	8-345-01		DELETED		
-155C	8-345-03		DELETED		

32-11-28

 ILLUSTRATED PARTS LIST
 01.1 Page 1086J
 Jul 01/03


BOEING
 COMPONENT
 MAINTENANCE MANUAL

FIG. & ITEM	PART NO.	AIRLINE PART NUMBER	NOMENCLATURE 1234567	EFF CODE	QTY PER ASSY
08-					
160	S2180-3		DELETED		
-160A	S2180-1		DELETED		
-160B	287T6108-2		DELETED		
165	287T6104-109		DELETED		
170	254871-0220		DELETED		
-170A	S287T001-206		DELETED		
175	R071012S3PNL		DELETED		
180	287T6104-326		.HARNESS ASSY-DRAG BRACE, SYS 2, S259 (REF CMM 32-10-51)	BU	1
-180A	287T6104-349		.HARNESS ASSY-DRAG BRACE, SYS 2, S259 (REF CMM 32-10-51)	BW	1
-185	287T6104-326		.HARNESS ASSY-DRAG BRACE, SYS 2, S263 (REF CMM 32-10-51)	BV	1
-185A	287T6104-354		.HARNESS ASSY-DRAG BRACE SYS 2, S263 (REF CMM 32-10-51)	BX	1
190	8-344-03		DELETED		
-190A	8-344-01		DELETED		
-190B	8-345-01		DELETED		
-190C	8-345-03		DELETED		
195	S2180-3		DELETED		
-195A	S2180-1		DELETED		
-195B	287T6108-2		DELETED		
200	287T6104-110		DELETED		
205	254871-0221		DELETED		
-205A	S287T001-207		DELETED		
210	R071012S3P7L		DELETED		
215	287T6104-327		.HARNESS ASSY-SIDE BRACE, SYS 1, S236 (REF CMM 32-10-51)	BU	1

32-11-28

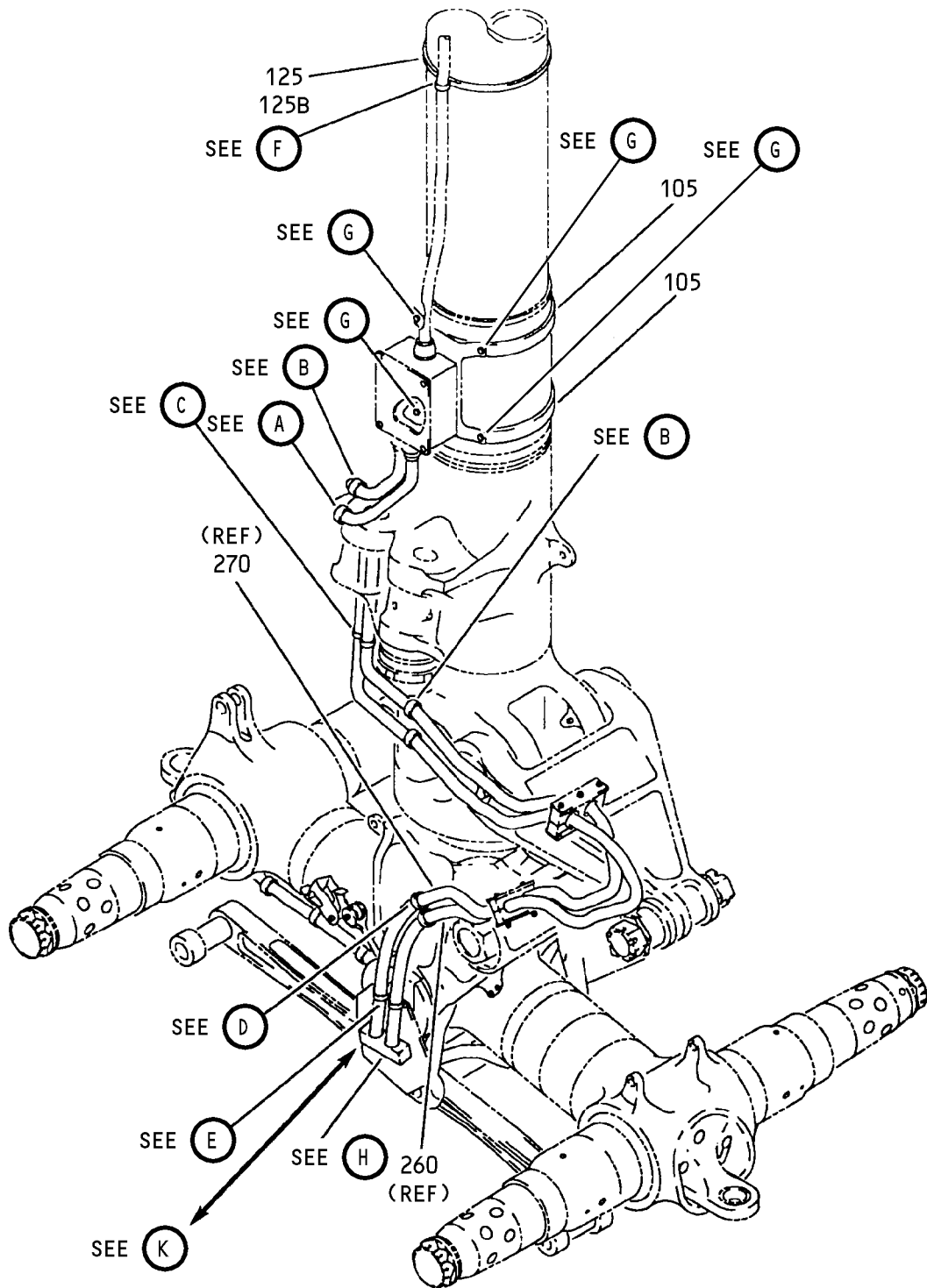
 ILLUSTRATED PARTS LIST
 01.1 Page 1086K
 Jul 01/03

FIG. & ITEM	PART NO.	AIRLINE PART NUMBER	NOMENCLATURE 1234567	EFF CODE	QTY PER ASSY
08- -215A	287T6104-355		.HARNESS ASSY-SIDE BRACE, SYS 1, S236 (REF CMM 32-10-51)	BW	1
-220	287T6104-327		.HARNESS ASSY-SIDE BRACE, SYS 1, S240 (REF CMM 32-10-51)	BV	1
-220A	287T6104-352		.HARNESS ASSY-SIDE BRACE, SYS 1, S240 (REF CMM 32-10-51)	BX	1
225	8-716-01		DELETED		
230	S2180-3		DELETED		
235	287T6104-111		DELETED		
240	254871-0223		DELETED		
245	R071012S3PNL		DELETED		
250	287T6104-328		.HARNESS ASSY-SIDE BRACE, SYS 2, S258 (REF CMM 32-10-51)	BU	1
-250A	287T6104-351		.HARNESS ASSY-SIDE BRACE, SYS 2, S258 (REF CMM 32-10-51)	BW	1
-255	287T6104-328		.HARNESS ASSY-SIDE BRACE, SYS 2, S262 (REF CMM 32-10-51)	BV	1
-255A	287T6104-356		.HARNESS ASSY-SIDE BRACE, SYS 2, S262 (REF CMM 32-10-51)	BX	1
260	8-716-01		DELETED		
265	S2180-3		DELETED		
270	287T6104-112		DELETED		
275	254871-0224		DELETED		
280	R071012S3P7L		DELETED		

- Item Not Illustrated

32-11-28

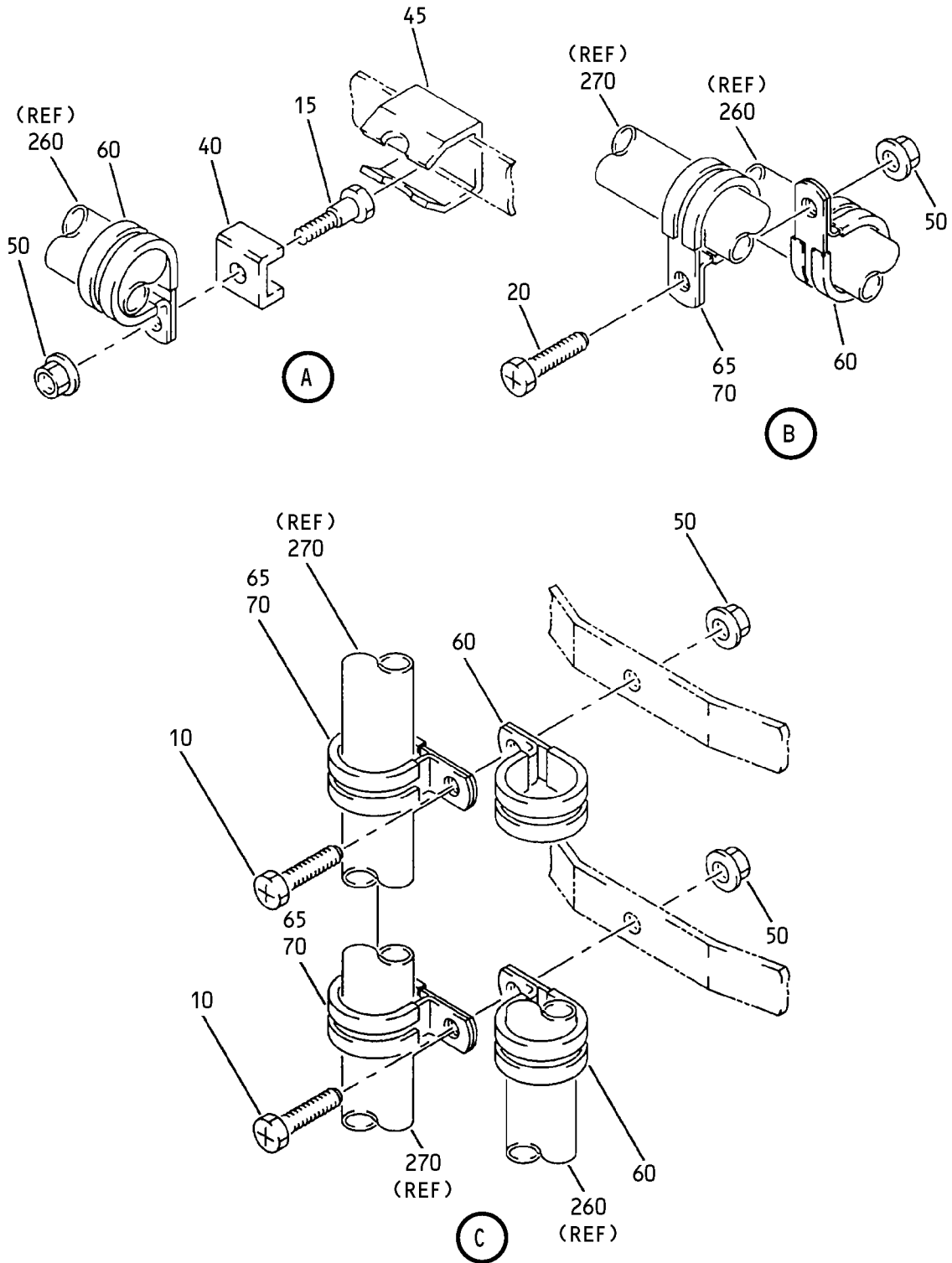
ILLUSTRATED PARTS LIST
 01.1 Page 1086L
 Jul 01/03



Wire Provision Installation
 Figure 9 (Sheet 1)

32-11-28

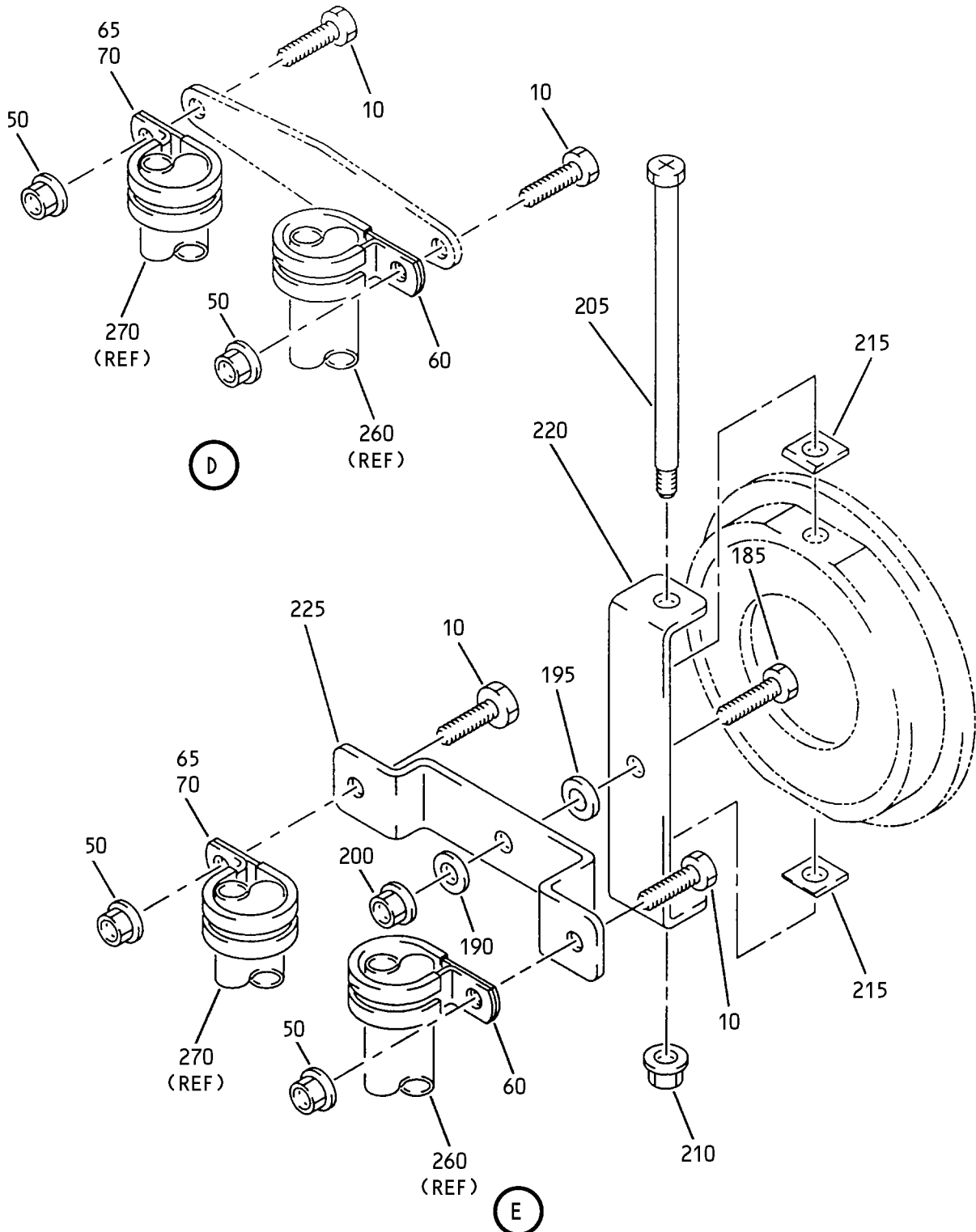
ILLUSTRATED PARTS LIST
 01.1 Page 1086N
 Jul 01/03



Wire Provision Installation
 Figure 9 (Sheet 2)

32-11-28

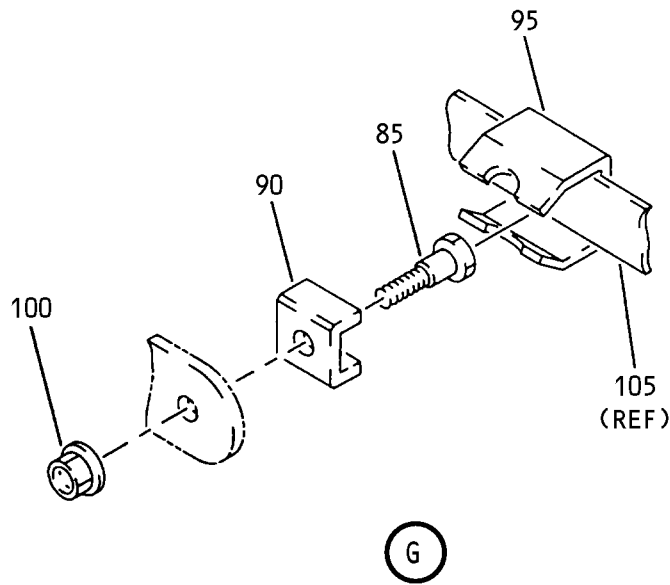
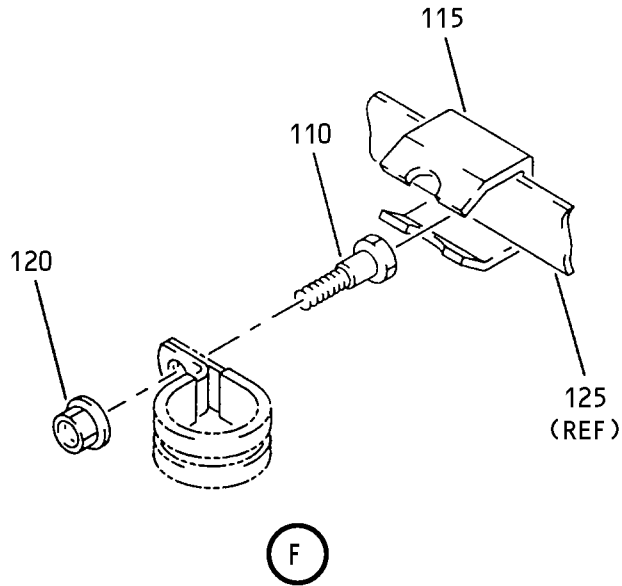
ILLUSTRATED PARTS LIST
 01.1 Page 10860
 Jul 01/03



Wire Provision Installation
 Figure 9 (Sheet 3)

32-11-28

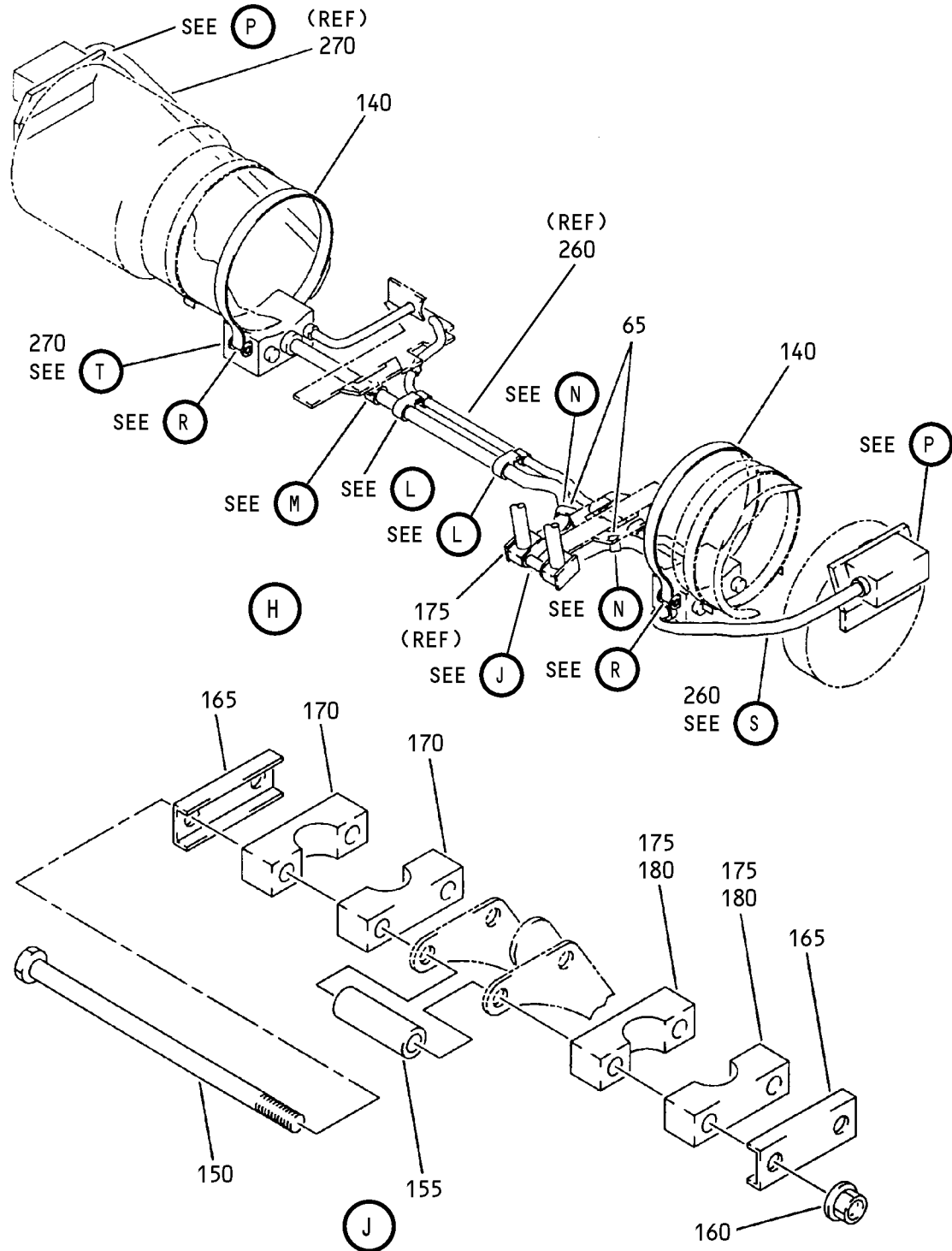
ILLUSTRATED PARTS LIST
 01.1 Page 1086P
 Jul 01/03



Wire Provision Installation
Figure 9 (Sheet 4)

32-11-28

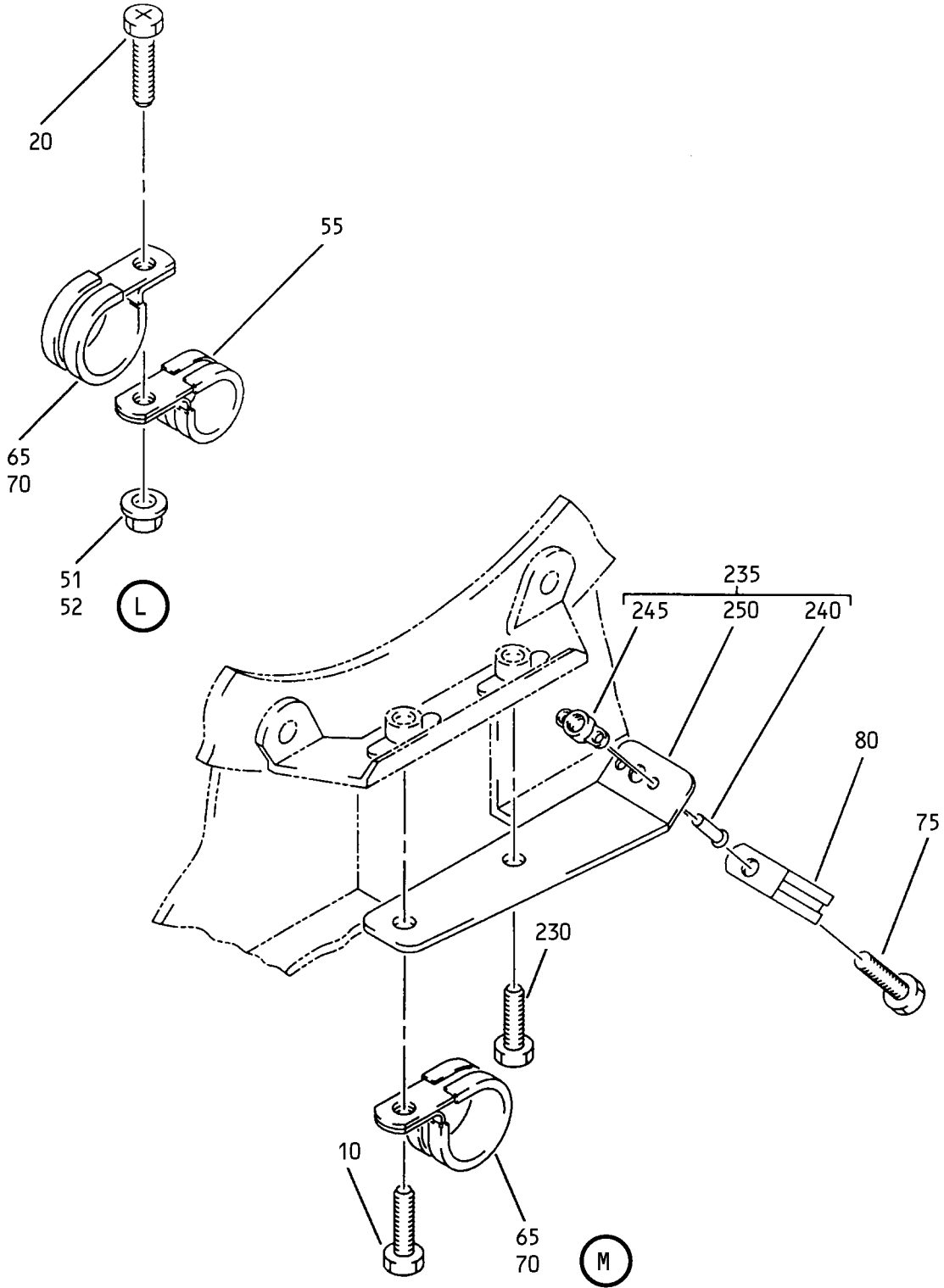
ILLUSTRATED PARTS LIST
01.1 Page 1086Q
Jul 01/03



Wire Provision Installation
 Figure 9 (Sheet 5)

32-11-28

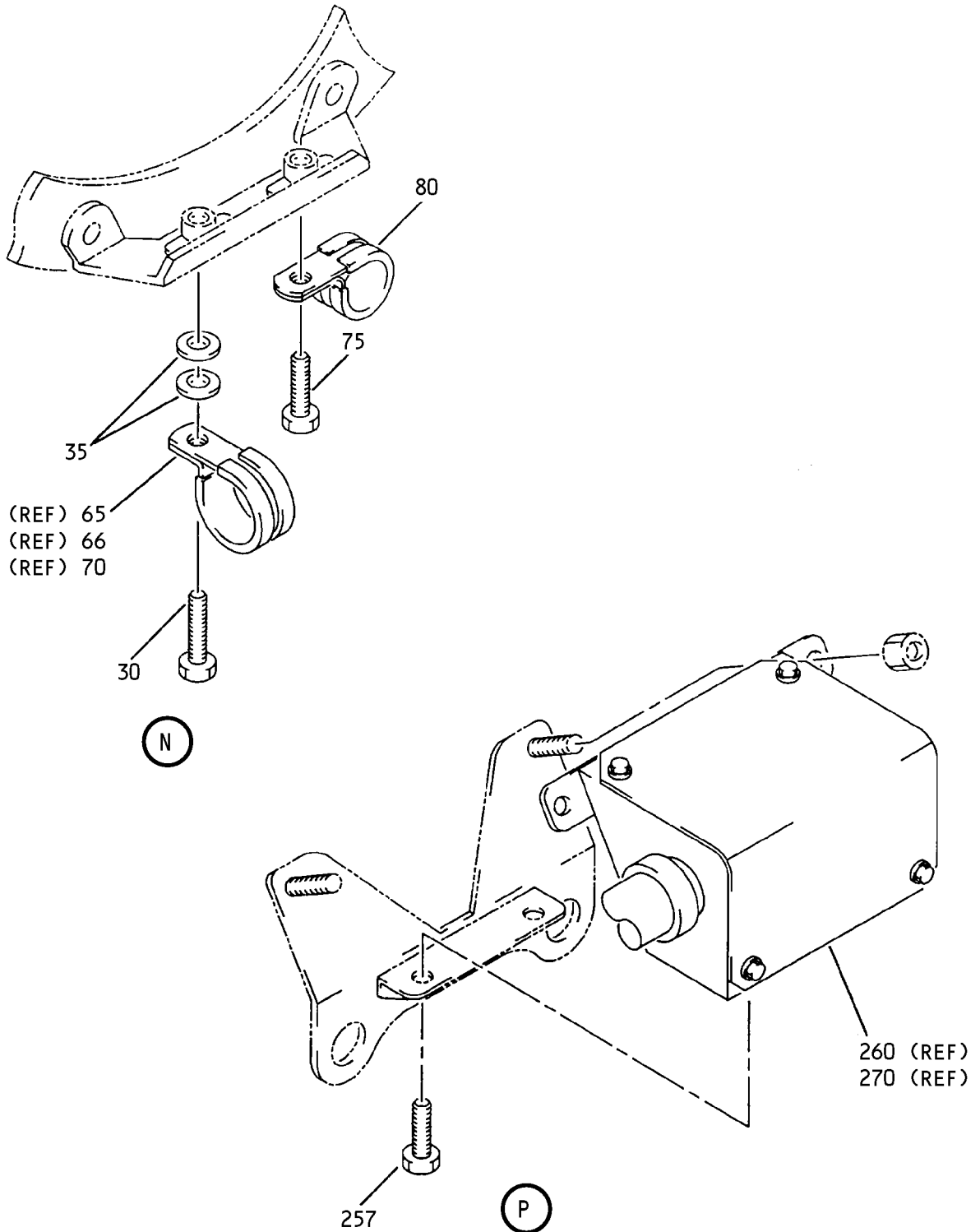
ILLUSTRATED PARTS LIST
 01.1 Page 1086R
 Jul 01/03



Wire Provision Installation
 Figure 9 (Sheet 7)

32-11-28

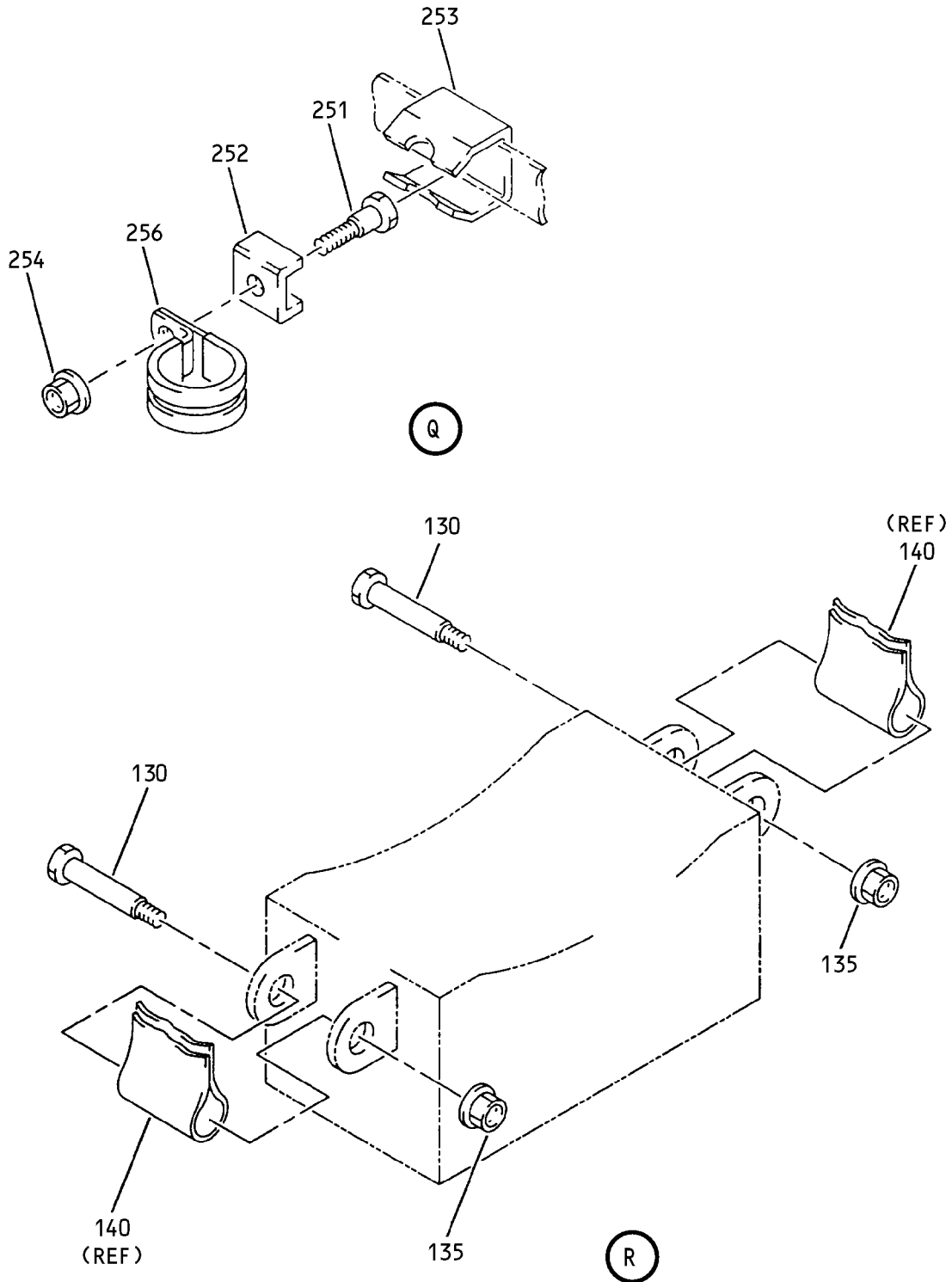
ILLUSTRATED PARTS LIST
 01.1 Page 1086T
 Jul 01/03



Wire Provision Installation
Figure 9 (Sheet 8)

32-11-28

ILLUSTRATED PARTS LIST
01.1 Page 1086U
Jul 01/03



Wire Provision Installation
 Figure 9 (Sheet 9)

32-11-28

ILLUSTRATED PARTS LIST
 01.1 Page 1086V
 Jul 01/03


BOEING
 COMPONENT
 MAINTENANCE MANUAL

FIG. & ITEM	PART NO.	AIRLINE PART NUMBER	NOMENCLATURE 1234567	EFF CODE	QTY PER ASSY
09- -1	287T6101-427		WIRE PROV INSTL-L MLG NO BRAKE TEMP, NO BRAKE FAN, NO TIRE PRESSURE IND (0.50 ID CONDUIT)	BA	RF
-1A	287T6101-428		WIRE PROV INSTL-L MLG NO BRAKE TEMP, NO BRAKE FAN, NO TIRE PRESSURE IND (0.50 ID CONDUIT)	AU	RF
-1B	287T6101-461		WIRE PROV INSTL-L MLG NO BRAKE TEMP, NO BRAKE FAN, NO TIRE PRESSURE IND (0.50 ID CONDUIT)	AW	RF
-5	287T6101-435		WIRE PROV INSTL-R MLG NO BRAKE TEMP, NO BRAKE FAN, NO TIRE PRESSURE IND (0.50 ID CONDUIT)	BB	RF
-5A	287T6101-430		WIRE PROV INSTL-R MLG NO BRAKE TEMP, NO BRAKE FAN, NO TIRE PRESSURE IND (0.50 ID CONDUIT)	AV	RF
-5B	287T6101-463		WIRE PROV INSTL-R MLG NO BRAKE TEMP, NO BRAKE FAN, NO TIRE PRESSURE IND (0.50 ID CONDUIT)	AX	RF
-5C	287T6101-467		WIRE PROV INSTL-R MLG NO BRAKE TEMP, NO BRAKE FAN, NO TIRE PRESSURE IND (0.50 ID CONDUIT)	BY	RF
10	NAS1801-3-7		.SCREW	AU-AX ,BA,B B,BY	7
15	NAS6603-3		.BOLT	AU-AX ,BA,B B,BY	1
20	NAS1801-3-6		.SCREW	AU-AX ,BA,B B,BY	4
25 30	NAS1801-3-10 NAS1801-3-8		DELETED .SCREW	AU-AX ,BA,B B,BY	2

32-11-28

ILLUSTRATED PARTS LIST

01.1 Page 1086W

Jul 01/03

FIG. & ITEM	PART NO.	AIRLINE PART NUMBER	NOMENCLATURE 1234567	EFF CODE	QTY PER ASSY
09-35	NAS1149D0363J		.WASHER	AU-AX ,BA,B B,BY	4
40	BACB19F10		.BLOCK	AU-AX ,BA,B B,BY	1
45	BACC15AN10		.CLIP	AU-AX ,BA,B B,BY	1
50	MS21042L3		.NUT	AU-AX ,BA,B B,BY	11
51	MS21042L3		.NUT		2
52	H52732-3CM		.NUT- (V15653) (SPEC BACN10YR3CM) (OPT PLH53CM (V62554))	AX,BB ,BY	2
55	JM44LC13WS7R		.CLAMP- (V22175) (SPEC BACC10GE7) (OPT S369WH7 (V18076)) (OPT TA12C32WS7 (V84971)) (OPT 509S7 (V83930))	AU-AX ,BA,B B,BY	2
60	JM44LC13WS10R		.CLAMP- (V22175) (SPEC BACC10GE10) (OPT S369WH10 (V18076)) (OPT TA12C32WS10 (V84971)) (OPT 509S10 (V83930))	AU-AX ,BA,B B,BY	7
65	JM44LC13WS10R		.CLAMP- (V22175) (SPEC BACC10GE10) (OPT S369WH10 (V18076)) (OPT TA12C32WS10 (V84971)) (OPT 509S10 (V83930))	AU-AW ,BA	11

32-11-28

 ILLUSTRATED PARTS LIST
 01.1 Page 1086X
 Jul 01/03


BOEING
 COMPONENT
 MAINTENANCE MANUAL

FIG. & ITEM	PART NO.	AIRLINE PART NUMBER	NOMENCLATURE 1234567	EFF CODE	QTY PER ASSY
09-66	JM44LC13WS10R		.CLAMP- (V22175) (SPEC BACC10GE10) (OPT S369WH10 (V18076)) (OPT TA12C32WS10 (V84971)) (OPT 509S10 (V83930))	AX, BB , BY	1
-70	JM44LC13WS12R		.CLAMP- (V22175) (SPEC BACC10GE12) (OPT S369WH12 (V18076)) (OPT TA12C32WS12 (V84971)) (OPT 509S12 (V83930))	AX, BB , BY	10
75	NAS1801-3-6		.SCREW	AU-AX , BA, B , BY	3
80	JM44LC13WS7R		.CLAMP- (V22175) (SPEC BACC10GE7) (OPT S369WH7 (V18076)) (OPT TA12C32WS7 (V84971)) (OPT 509S7 (V83930))	AU-AX , BA, B , BY	3
85	NAS6603-3		.BOLT	AU-AX , BA, B , BY	4
90	BACB19F10		.BLOCK	AU-AX , BA, B , BY	4
95	BACC15AN10		.CLIP	AU-AX , BA, B , BY	4
100	MS21042L3		.NUT	AU-AX , BA, B , BY	4

32-11-28

ILLUSTRATED PARTS LIST

01.1 Page 1086Y

Jul 01/03

FIG. & ITEM	PART NO.	AIRLINE PART NUMBER	NOMENCLATURE 1234567	EFF CODE	QTY PER ASSY
09-105	3140AB116E		.CLAMP- (V94581) (SPEC BACC10FY116SE) (OPT BC1083-116SE (V14242)) (OPT NE103338-116 (V8W928))	AU-AX ,BA,B B,BY	2
110	NAS6603-3		.BOLT	AU-AX ,BA,B B,BY	1
115	BACC15AN10		.CLIP	AU-AX ,BA,B B,BY	1
120	MS21042L3		.NUT	AU-AX ,BA,B B,BY	1
125	3140AB101E		.CLAMP- (V94581) (SPEC BACC10FY101SE) (OPT BC1083-101SE (V14242)) (OPT NE103338-101 (V8W928)) (OPT ITEM 125A)	AU-AX ,BA,B B	1
-125A	3140AB102E		.CLAMP- (V94581) (SPEC BACC10FY102SE) (OPT BC1083-102SE (V14242)) (OPT NE103338-102 (V8W928)) (OPT ITEM 125)	AU-AX ,BA,B B	1
125B	3140AB101E		.CLAMP- (V94581) (SPEC BACC10FY101SE) (OPT BC1083-101SE (V14242)) (OPT NE103338-101 (V8W928))	BY	1

32-11-28

 ILLUSTRATED PARTS LIST
 01.1 Page 1086Z
 Jul 01/03


BOEING
 COMPONENT
 MAINTENANCE MANUAL

FIG. & ITEM	PART NO.	AIRLINE PART NUMBER	NOMENCLATURE 1234567	EFF CODE	QTY PER ASSY
09-130	NAS6603-15		.BOLT	AU-AX ,BA,B B,BY	4
135	MS21042L3		.NUT	AU-AX ,BA,B B,BY	4
140	BCREF116069		.CLAMP- (V81205) (BACC10ET080-038E)	AU-AX ,BA,B B,BY	2
145	3140AB081E		.CLAMP- (V94581) (SPEC BACC10FY081SE) (OPT BC1083-081SE (V14242)) (OPT NE103888-081 (V8W928))	AX,BB ,BY	1
150	NAS6603-64		.BOLT	AU-AX ,BA,B B,BY	2
155	NAS42DD6-92FC		.SPACER	AU-AX ,BA,B B,BY	2
160	MS21042L3		.NUT	AU-AX ,BA,B B,BY	2
165	287T6111-15		.CHANNEL	AU-AX ,BA,B B,BY	2
170	287T6116-6		.BLOCK	AU-AX ,BA,B B,BY	2
175	287T6116-6		.BLOCK	AU-AW ,BA	2

32-11-28

ILLUSTRATED PARTS LIST

01.1

Page 1087

Jul 01/03

FIG. & ITEM	PART NO.	AIRLINE PART NUMBER	NOMENCLATURE 1234567	EFF CODE	QTY PER ASSY
09- -180	287T6116-5		.BLOCK	AX,BB ,BY	2
185	NAS1801-3-8		.SCREW	AU-AX ,BA,B B,BY	1
190	AN960-3		.WASHER	AU-AX ,BA,B B,BY	1
195	NAS77-3-007		.BUSHING	AU-AX ,BA,B B,BY	1
200	MS21042L3		.NUT	AU-AX ,BA,B B,BY	1
205	NAS6604-77		.BOLT	AU-AX ,BA,B B,BY	1
210	MS21042L4		.NUT	AU-AX ,BA,B B,BY	1
215	287T6111-23		.FILLER	AU-AX ,BA,B B,BY	2
220	287T6111-21		.BRACKET	AU-AX ,BA,B B,BY	1
225	287T6111-22		.BRACKET	AU-AX ,BA,B B,BY	1
230	NAS1801-3-6		.SCREW	AU-AX ,BA,B B,BY	1

32-11-28

ILLUSTRATED PARTS LIST

01.1 Page 1088

Jul 01/03


BOEING
 COMPONENT
 MAINTENANCE MANUAL

FIG. & ITEM	PART NO.	AIRLINE PART NUMBER	NOMENCLATURE 1234567	EFF CODE	QTY PER ASSY
09- 235	287T6111-39		.BRACKET ASSY	AU-AX ,BA,B B,BY	1
240	BACR15BA3AD		..RIVET- (SIZE DETERMINE ON INST)	AU-AX ,BA,B B,BY	2
-245	BRM200A3		..NUTPLATE- (V52828) (SPEC BACN10JP3A) (OPT MK1000-3BAC (V15653)) (OPT NS103197-02 (V80539)) (OPT RMA9201M3 (V72962)) (OPT VN202A1-02 (V92215)) (OPT T8076S1032 (V11815))	AU-AX ,BA,B B,BY	1
250	287T6111-40		..BRACKET	AU-AX ,BA,B B,BY	1
251	NAS6603-3		.BOLT	AX,BB ,BY	1
252	BACB19F10		.BLOCK	AX,BB ,BY	1
253	BACC15AN10		.CLIP	AX,BB ,BY	1
254	H52732-3CM		.NUT- (V15653) (SPEC BACN10YR3CM) (OPT PLH53CM (V62554))	AX,BB ,BY	1
-255	Y8412		.TAPE- (V26066)	AU-AX ,BA,B B,BY	AR
256	JM44LC13WS7R		.CLAMP- (V22175) (SPEC BACC10GE7) (OPT S369WH7 (V18076)) (OPT TA12C32WS7 (V84971)) (OPT 509S7 (V83930))	AX,BB ,BY	1

32-11-28

 ILLUSTRATED PARTS LIST
 01.1 Page 1088A
 Jul 01/03

FIG. & ITEM	PART NO.	AIRLINE PART NUMBER	NOMENCLATURE 1234567	EFF CODE	QTY PER ASSY
09-					
257	NAS6703-3		.BOLT		4
260	287T6104-329		.HARNES ASSY-L GEAR FWD TRUCK (REF CMM 32-10-51)	BA	1
-260A	287T6104-330		.HARNES ASSY-L GEAR FWD TRUCK (REF CMM 32-10-51)	AU	1
-260B	287T6104-365		.HARNES ASSY-L GEAR FWD TRUCK (REF CMM 32-10-51)	AW	1
-265	287T6104-347		.HARNES ASSY-R GEAR FWD TRUCK (REF CMM 32-10-51)	BB	1
265A	287T6104-332		.HARNES ASSY-R GEAR FWD GEAR (REF CMM 32-10-51)	AV, BY	1
-265B	287T6104-366		.HARNES ASSY-R GEAR FWD TRUCK (REF CMM 32-10-51)	AX	1
270	287T6104-331		.HARNES ASSY-L GEAR AFT TRUCK (REF CMM 32-10-51)	BA	1
-270A	287T6104-333		.HARNES ASSY-L GEAR AFT TRUCK (REF CMM 32-10-51)	AU	1
-270B	287T6104-367		.HARNES ASSY-L GEAR AFT TRUCK (REF CMM 32-10-51)	AW	1
-275	287T6104-348		.HARNES ASSY-R GEAR AFT TRUCK (REF CMM 32-10-51)	BB	1
275A	287T6104-334		.HARNES ASSY-R GEAR AFT TRUCK (REF CMM 32-10-51)	AV	1
-275B	287T6104-378		.HARNES ASSY-R GEAR AFT TRUCK (REF CMM 32-10-51)	AX	1
275C	287T6104-368		.HARNES ASSY-R GEAR AFT TRUCK (REF CMM 32-10-51)	BY	1
280	BACN10WW6C		DELETED		
285	287T6111-31		DELETED		
290	BACN10WW6C		DELETED		
295	287T6111-31		DELETED		
300	8-345-03		DELETED		

32-11-28

 ILLUSTRATED PARTS LIST
 01.1 Page 1088B
 Jul 01/03


BOEING
 COMPONENT
 MAINTENANCE MANUAL

FIG. & ITEM	PART NO.	AIRLINE PART NUMBER	NOMENCLATURE 1234567	EFF CODE	QTY PER ASSY
09-					
-300A	8-345-01		DELETED		
-300B	8-935-01		DELETED		
305	254871-0218		DELETED		
305A	287T6104-104		DELETED		
310	S287T001-219		DELETED		
-310A	S287T001-205		DELETED		
315	T300-704-0005		DELETED		
320	254871-0232		DELETED		
325	254871-0233		DELETED		
330	287T6104-107		DELETED		
330A	287T6104-106		DELETED		
-330B	287T6104-101		DELETED		
335	254871-0226		DELETED		
-335B	254871-0225		DELETED		
-335D	254871-0215		DELETED		
340	287T6104-18		DELETED		
345	TFE2X		DELETED		
350	287T6112-5		DELETED		
355	BACN10WW10C		DELETED		
360	BACF32H10C		DELETED		
365	287T6112-6		DELETED		
370	287T6104-42		DELETED		
375	287T6104-43		DELETED		
380	287T6104-44		DELETED		
-385	256T0688-OAJ		DELETED		
-385A	256T0688-OAC		DELETED		
-386	256T0686-OAA		DELETED		
390	287T6108-17		DELETED		
395	NAS514P1032-6P		DELETED		
400	MS20615-3M4		DELETED		

32-11-28

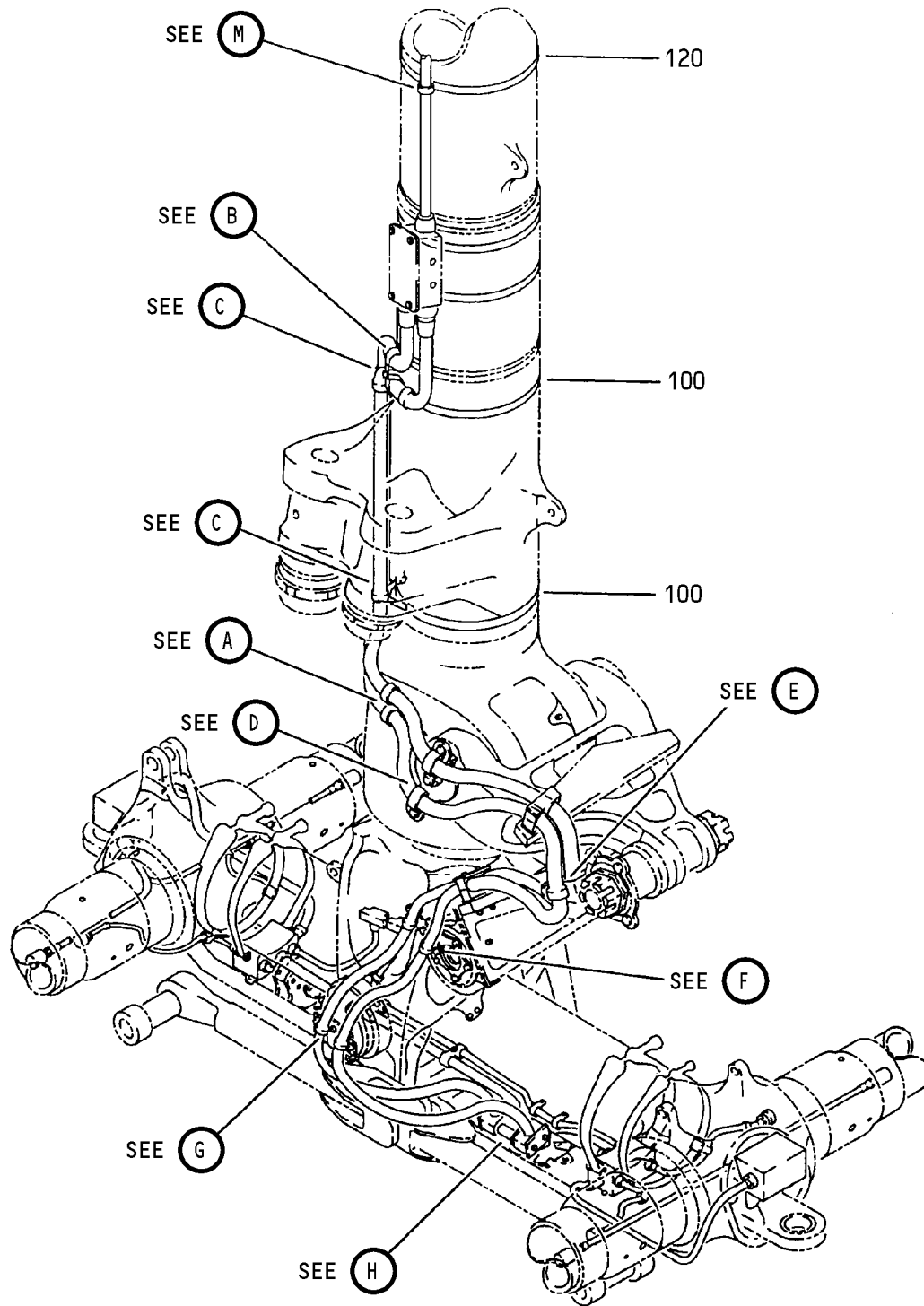
 ILLUSTRATED PARTS LIST
 01.1 Page 1088C
 Jul 01/03

FIG. & ITEM	PART NO.	AIRLINE PART NUMBER	NOMENCLATURE 1234567	EFF CODE	QTY PER ASSY
09-					
405	MF6001-3		DELETED		
410	287T6108-30		DELETED		
415	287T6108-31		DELETED		
-415A	287T6108-11		DELETED		
-415B	287T6108-21		DELETED		
420	287T6108-25		DELETED		
-420A	287T6108-10		DELETED		
425	NAS6603-3		DELETED		
430	AN960C10L		DELETED		
435	F22K1-02		DELETED		
440	287T6108-27		DELETED		
445	287T6133-1		DELETED		
450	287T6106-11		DELETED		
455	NAS6703-3		DELETED		
460	AN960C10		DELETED		
-465	MS20427M4		DELETED		
-465A	BACR15CE4M		DELETED		
470	287T6116-10		DELETED		
475	287T6106-14		DELETED		
-475A	287T6106-9		DELETED		
480	287T6132-1		DELETED		
480A	287T6106-13		DELETED		
485	MS21209F1-20		DELETED		
490	MS20427M3		DELETED		
495	T8102C3CK		DELETED		
500	MS20427M3		DELETED		
505	T8102C3CK		DELETED		
510	287T6132-2		DELETED		
-510A	287T6106-2		DELETED		

- Item Not Illustrated

32-11-28

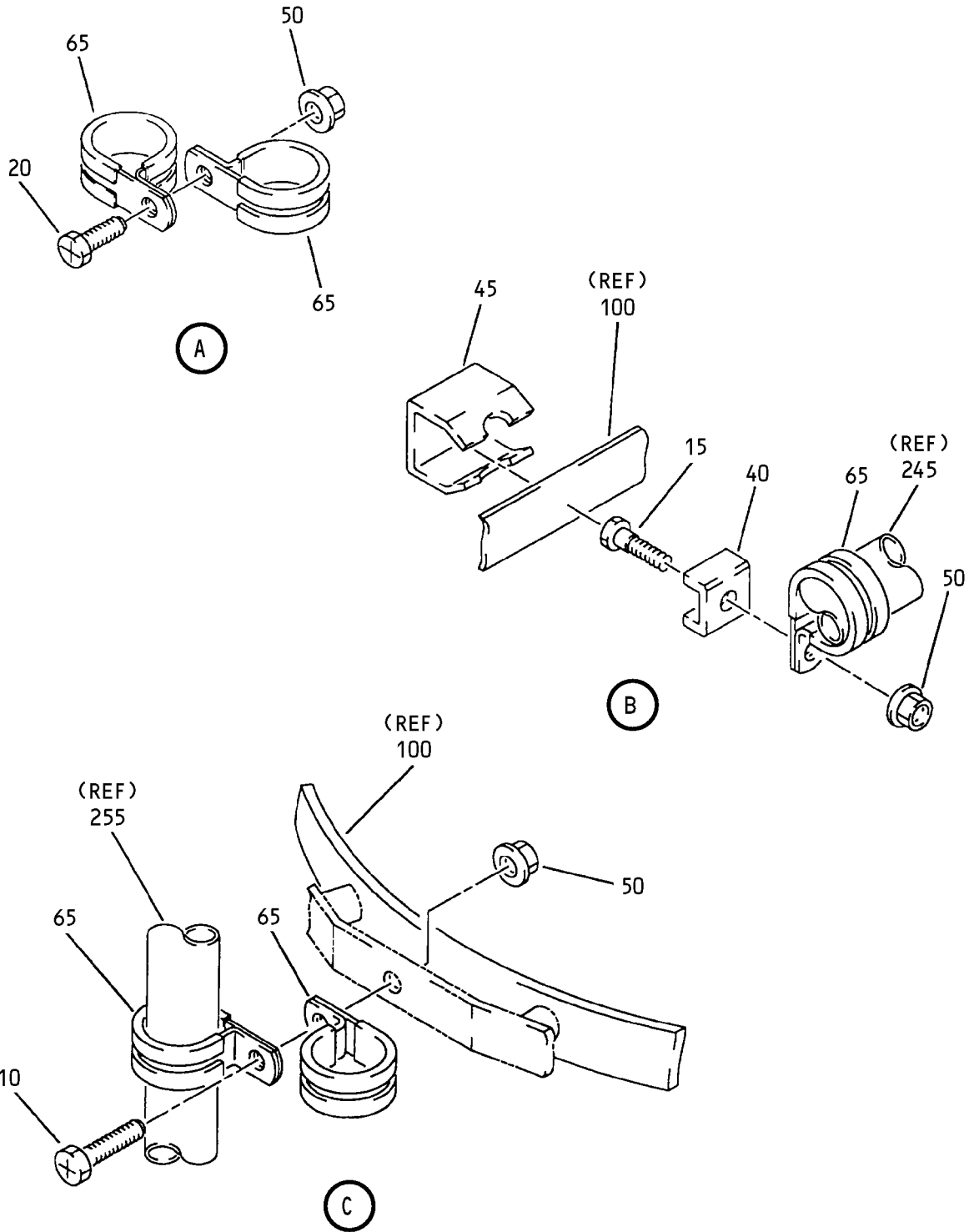
ILLUSTRATED PARTS LIST
 01.1 Page 1088D
 Jul 01/03



Wire Provision Installation
Figure 10 (Sheet 1)

32-11-28

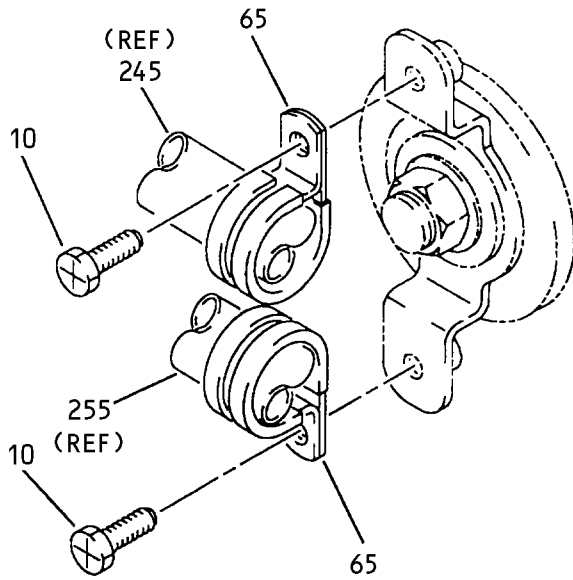
ILLUSTRATED PARTS LIST
01.1 Page 1088F
Jul 01/03



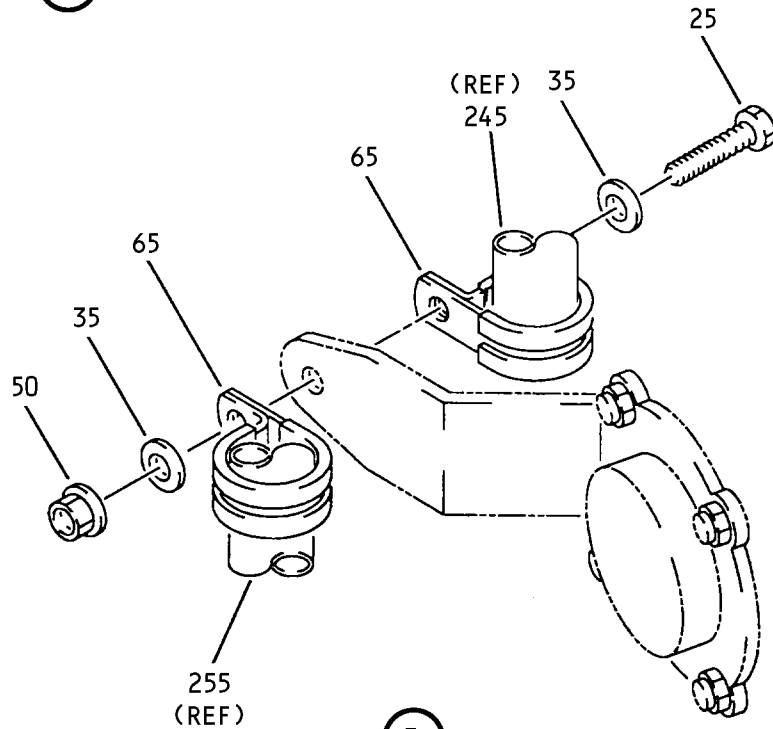
Wire Provision Installation
Figure 10 (Sheet 2)

32-11-28

ILLUSTRATED PARTS LIST
01.1 Page 1088G
Jul 01/03



D

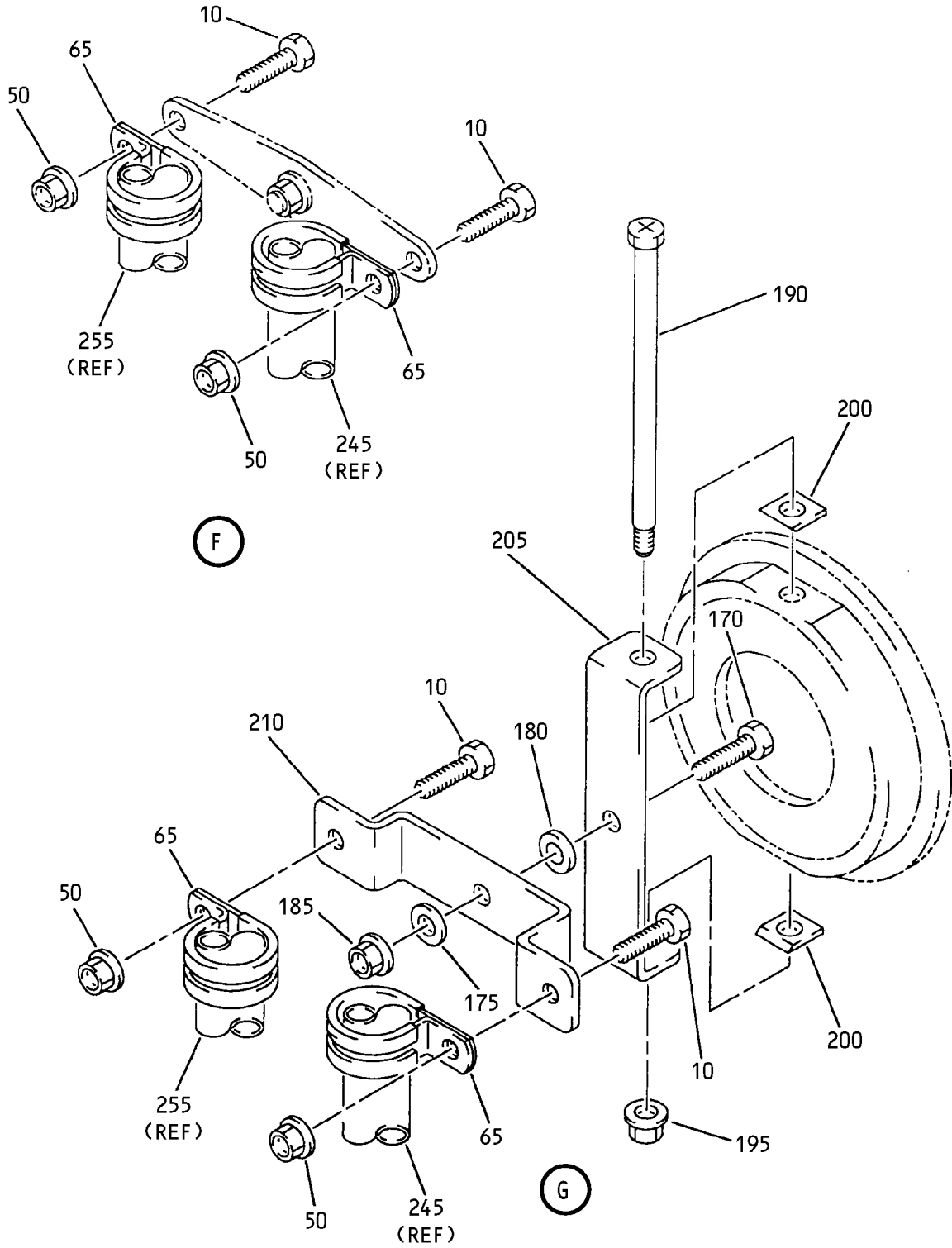


E

Wire Provision Installation
Figure 10 (Sheet 3)

32-11-28

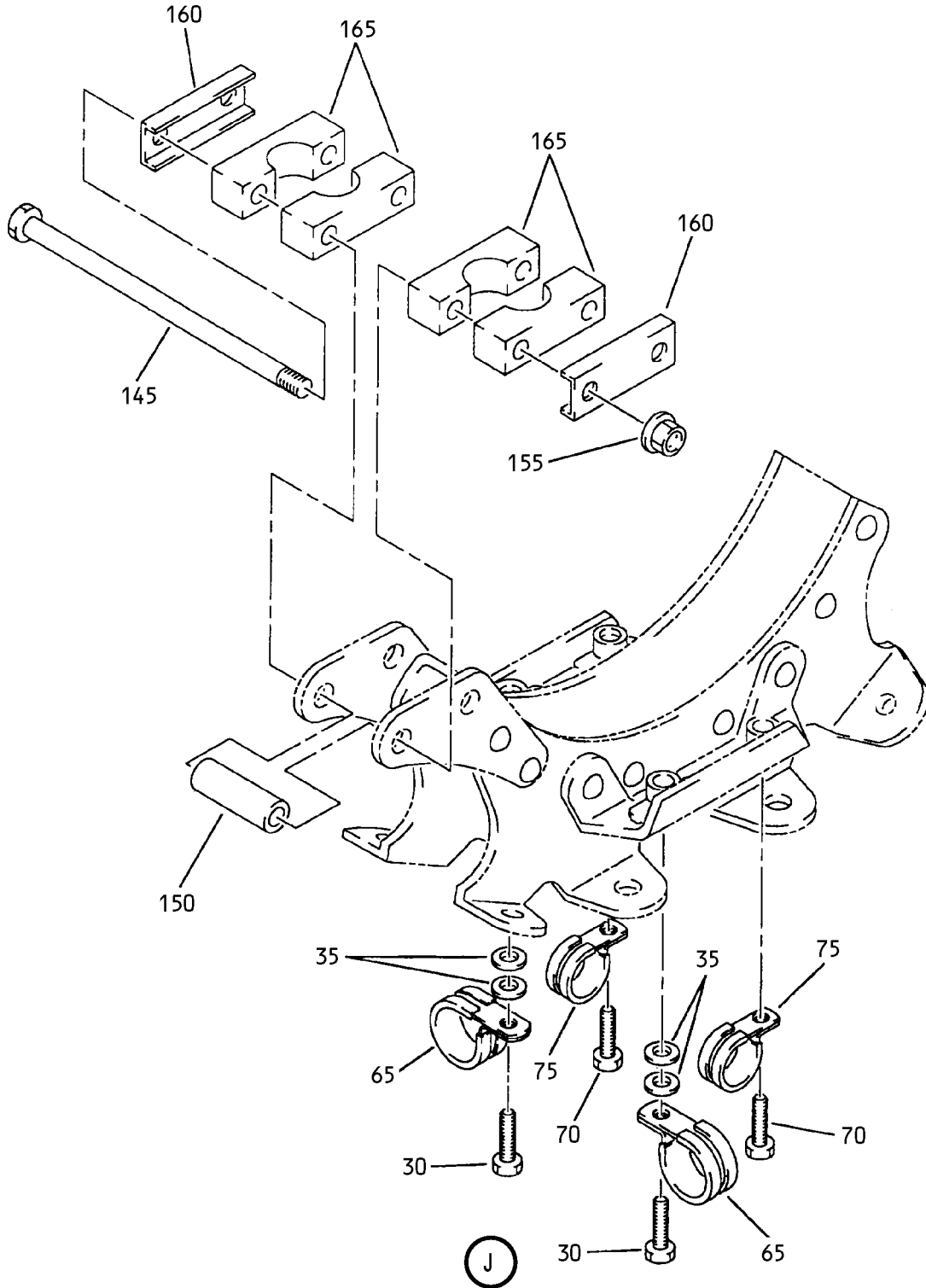
ILLUSTRATED PARTS LIST
01.1 Page 1088H
Jul 01/03



Wire Provision Installation
 Figure 10 (Sheet 4)

32-11-28

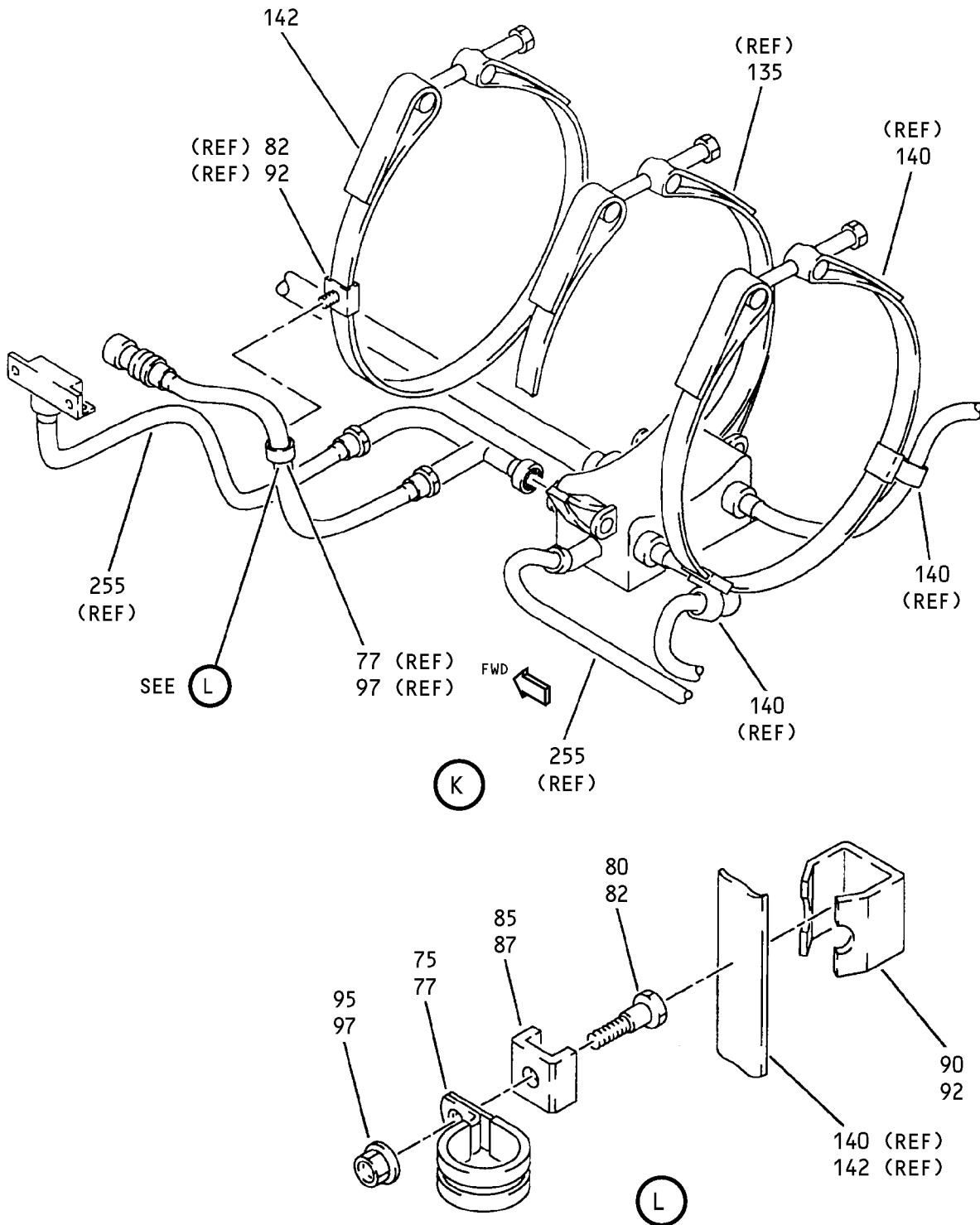
ILLUSTRATED PARTS LIST
 01.1 Page 1088I
 Jul 01/03



Wire Provision Installation
Figure 10 (Sheet 6)

32-11-28

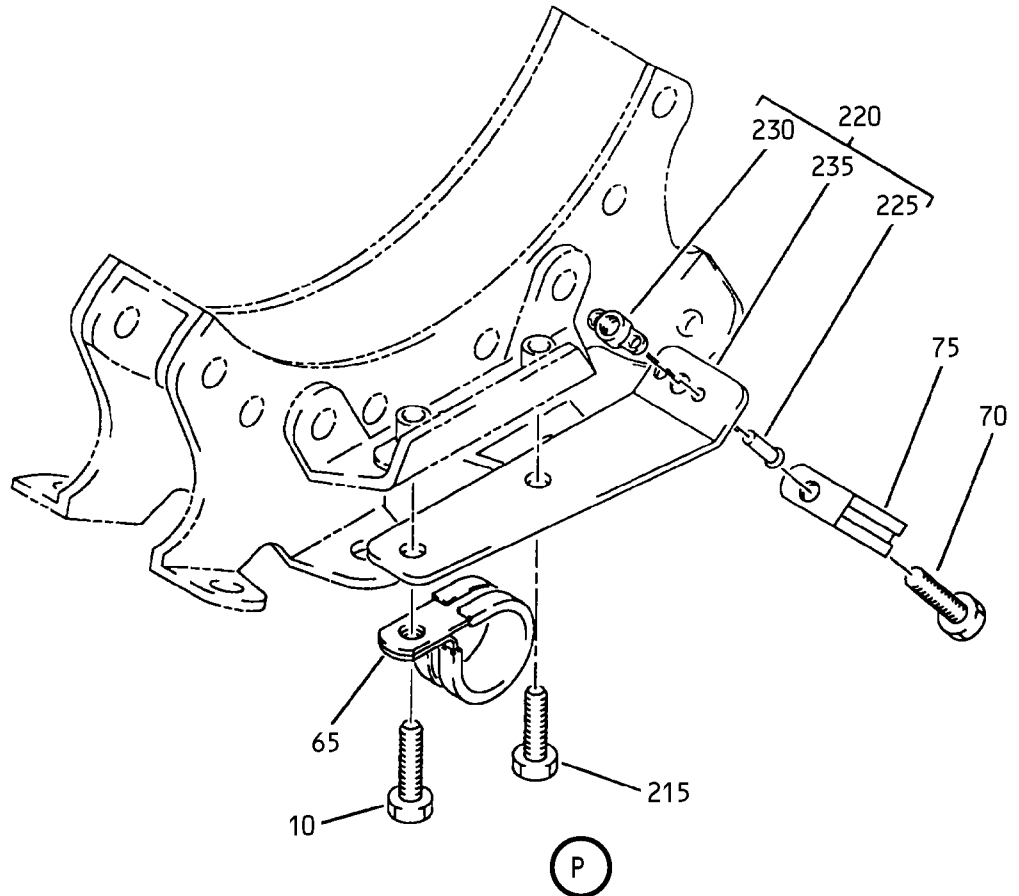
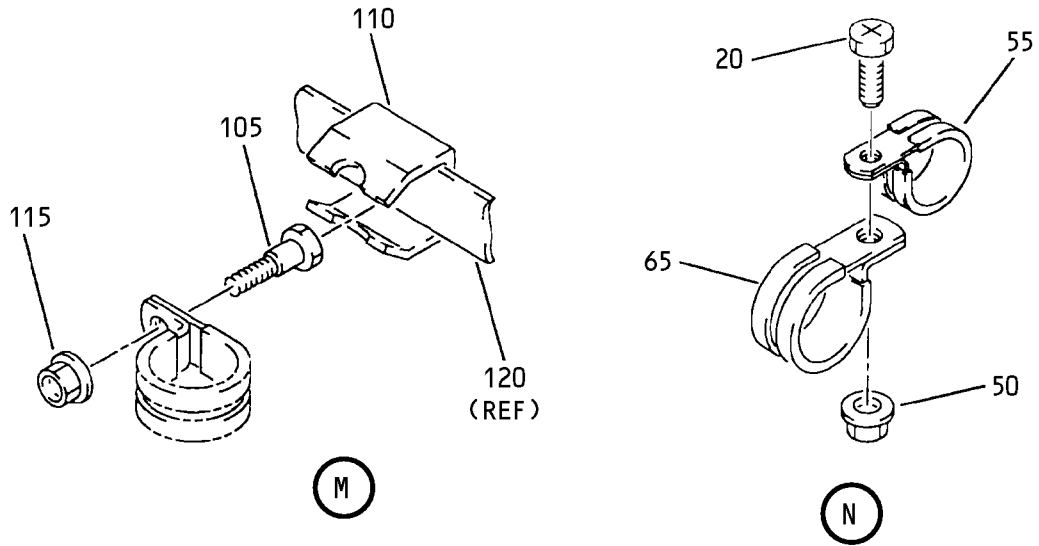
ILLUSTRATED PARTS LIST
01.1 Page 1088K
Jul 01/03



Wire Provision Installation
 Figure 10 (Sheet 7)

32-11-28

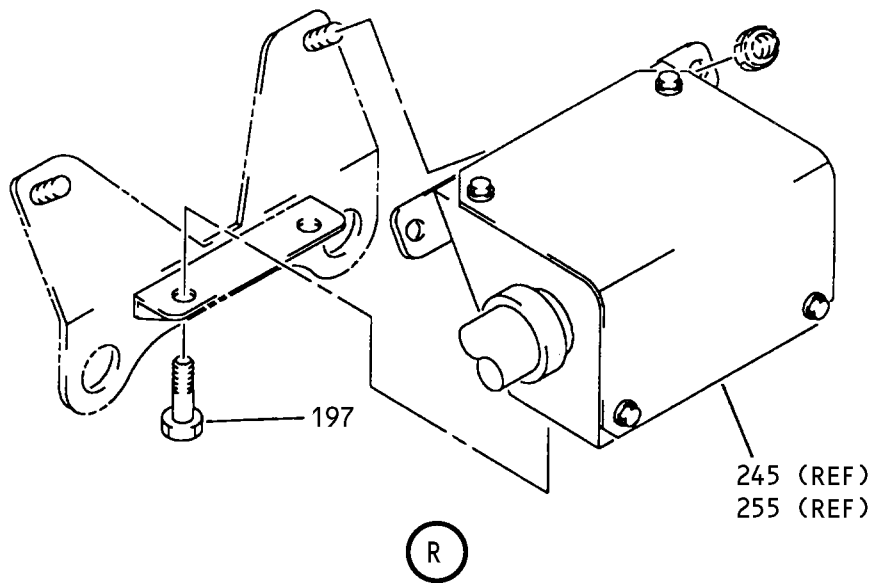
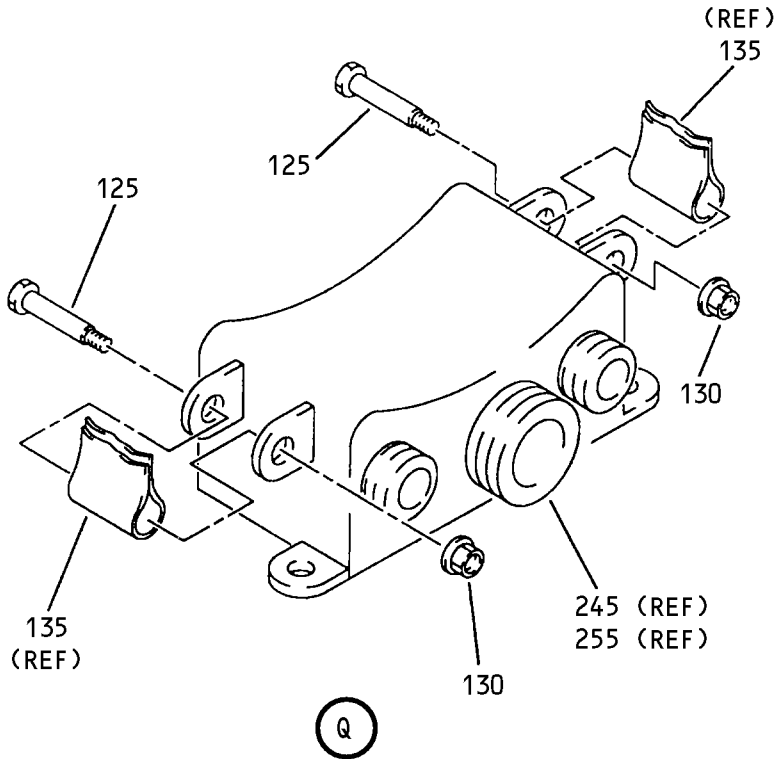
ILLUSTRATED PARTS LIST
 01.1 Page 1088L
 Jul 01/03



Wire Provision Installation
 Figure 10 (Sheet 8)

32-11-28

ILLUSTRATED PARTS LIST
 01.1 Page 1088M
 Jul 01/03



Wire Provision Installation
 Figure 10 (Sheet 9)

32-11-28

ILLUSTRATED PARTS LIST
 01.1 Page 1088N
 Jul 01/03


BOEING
 COMPONENT
 MAINTENANCE MANUAL

FIG. & ITEM	PART NO.	AIRLINE PART NUMBER	NOMENCLATURE 1234567	EFF CODE	QTY PER ASSY
10- -1	287T6101-429		WIRE PROV INSTL-L MLG WITH BRAKE TEMP, NO BRAKE FAN, NO TIRE PRESSURE IND (0.62 ID CONDUIT)	AQ	RF
-1A	287T6101-462		WIRE PROV INSTL-L MLG WITH BRAKE TEMP, NO BRAKE FAN, NO TIRE PRESSURE IND (0.62 ID CONDUIT)	AS	RF
-5	287T6101-432		WIRE PROV INSTL-R MLG WITH BRAKE TEMP, NO BRAKE FAN, NO TIRE PRESSURE IND (0.62 ID CONDUIT)	AR	RF
-5A	287T6101-465		WIRE PROV INSTL-R MLG WITH BRAKE TEMP, NO BRAKE FAN, NO TIRE PRESSURE IND (0.62 ID CONDUIT)	AT	RF
-5B	287T6101-468		WIRE PROV INSTL-R MLG BRAKE TEMP AND NO BRAKE FAN, NO TIRE PRESSURE IND	BZ	RF
10	NAS1801-3-7		.SCREW	AQ-AT ,BZ	10
15	NAS6603-3		.BOLT	AQ-AT ,BZ	1
20	NAS1801-3-6		.SCREW	AQ-AT ,BZ	3
25	NAS1801-3-10		.SCREW	AQ-AT ,BZ	1
30	NAS1801-3-8		.SCREW	AQ-AT ,BZ	2
35	NAS1149D0363J		.WASHER	AQ-AT ,BZ	6
40	BACB19F10		.BLOCK	AQ-AT ,BZ	1
45	BACC15AN10		.CLIP	AQ-AT ,BZ	1
50	MS21042L3		.NUT	AQ-AS	10
-50A	H52732-3CM		.NUT- (V15653) (SPEC BACN10YR3CM) (OPT PLH53CM (V62554))	AT,BZ	10

32-11-28

ILLUSTRATED PARTS LIST

01.1 Page 10880

Jul 01/03

FIG. & ITEM	PART NO.	AIRLINE PART NUMBER	NOMENCLATURE 1234567	EFF CODE	QTY PER ASSY
10-55	JM44LC13WS7R		.CLAMP- (V22175) (SPEC BACC10GE7) (OPT S369WH7 (V18076)) (OPT TA12C32WS7 (V84971)) (OPT 509S7 (V83930))	AQ-AT ,BZ	2
65	JM44LC13WS12R		.CLAMP- (V22175) (SPEC BACC10GE12) (OPT S369WH12 (V18076)) (OPT TA12C32WS12 (V84971)) (OPT 509S12 (V83930))	AQ-AT ,BZ	18
70	NAS1801-3-6		.SCREW	AQ-AT ,BZ	3
75	JM44LC13WS7R		.CLAMP- (V22175) (SPEC BACC10GE7) (OPT S369WH7 (V18076)) (OPT TA12C32WS7 (V84971)) (OPT 509S7 (V83930))	AQ-AT ,BZ	8
77	JM44LC13WS7R		.CLAMP- (V22175) (SPEC BACC10GE7) (OPT S369WH7 (V18076)) (OPT TA12C32WS7 (V84971)) (OPT 509S7 (V83930))	AT,BZ	1
80	NAS6603-3		.BOLT	AQ-AT ,BZ	4
85	BACB19F10		.BLOCK	AQ-AT ,BZ	4
87	BACB19F10		.BLOCK	AT,BZ	1
90	BACC15AN10		.CLIP	AQ-AT ,BZ	4

32-11-28

 ILLUSTRATED PARTS LIST
 01.1 Page 1088P
 Jul 01/03


BOEING
 COMPONENT
 MAINTENANCE MANUAL

FIG. & ITEM	PART NO.	AIRLINE PART NUMBER	NOMENCLATURE 1234567	EFF CODE	QTY PER ASSY
10-92	BACC15AN10		.CLIP	AT-BZ	1
95	MS21042L3		.NUT	AQ-AS	4
-95A	H52732-3CM		.NUT- (V15653) (SPEC BACN10YR3CM) (OPT PLH53CM (V62554))	AT,BZ	4
97	H52732-3CM		.NUT- (V15653) (SPEC BACN10YR3CM) (OPT PLH53CM (V62554))	AT,BZ	1
100	3140AB116E		.CLAMP- (V94581) (SPEC BACC10FY116SE) (OPT BC1083-116SE (V14242)) (OPT NE103338-116 (V8W928))	AQ-AT ,BZ	2
105	NAS6603-3		.BOLT	AQ-AT ,BZ	1
110	BACC15AN10		.CLIP	AQ-AT ,BZ	1
115	MS21042L3		.NUT	AQ-AS	1
-115A	H52732-3CM		.NUT- (V15653) (SPEC BACN10YR3CM) (OPT PLH53CM (V62554))	AT,BZ	1
120	3140AB101E		.CLAMP- (V94581) (SPEC BACC10FY101SE) (OPT BC1083-101SE (V14242)) (OPT NE103338-101 (V8W928)) (OPT ITEM 120A)	AQ-AT	1
-120A	3140AB102E		.CLAMP- (V94581) (SPEC BACC10FY102SE) (OPT BC1083-102SE (V14242)) (OPT NE103338-102 (V8W928)) (OPT ITEM 120)	AQ-AT	1

32-11-28

ILLUSTRATED PARTS LIST

01.1 Page 1088Q

Jul 01/03

FIG. & ITEM	PART NO.	AIRLINE PART NUMBER	NOMENCLATURE 1234567	EFF CODE	QTY PER ASSY
10- -120B	3140AB101E		.CLAMP- (V94581) (SPEC BACC10FY101SE) (OPT BC1083-101SE (V14242)) (OPT NE103338-101 (V8W928))	BZ	1
125	NAS6603-15		.BOLT	AQ-AT ,BZ	4
130	MS21042L3		.NUT	AQ-AS	4
-130A	BACB10YR3CM		.NUT	AT,BZ	4
135	BCREF116069		.CLAMP- (V81205) (BACC10ET080-038E)	AQ-AT ,BZ	2
140	3140AB081E		.CLAMP- (V94581) (SPEC BACC10FY081SE) (OPT BC1083-081SE (V14242)) (OPT NE103888-081 (V8W928))	AQ-AT ,BZ	2
142	3140AB081E		.CLAMP- (V94581) (SPEC BACC10FY081SE) (OPT BC1083-081SE (V14242)) (OPT NE103888-081 (V8W928))	AT,BZ	1
145	NAS6603-64		.BOLT	AQ-AT ,BZ	2
150	NAS42DD6-92FC		.SPACER	AQ-AT ,BZ	2
155	MS21042L3		.NUT	AQ-AS	2
-155A	H52732-3CM		.NUT- (V15653) (SPEC BACN10YR3CM) (OPT PLH53CM (V62554))	AT,BZ	2
160	287T6111-15		.CHANNEL	AQ-AT ,BZ	2
165	287T6116-5		.BLOCK	AQ-AT ,BZ	4
170	NAS1801-3-8		.SCREW	AQ-AT ,BZ	1

32-11-28

 ILLUSTRATED PARTS LIST
 01.1 Page 1088R
 Jul 01/03


BOEING
 COMPONENT
 MAINTENANCE MANUAL

FIG. & ITEM	PART NO.	AIRLINE PART NUMBER	NOMENCLATURE 1234567	EFF CODE	QTY PER ASSY
10-175	AN960-3		.WASHER	AQ-AT ,BZ	1
180	NAS77-3-007		.BUSHING	AQ-AT ,BZ	1
185	MS21042L3		.NUT	AQ-AS	1
-185A	H52732-3CM		.NUT- (V15653) (SPEC BACN10YR3CM) (OPT PLH53CM (V62554))	AT,BZ	1
190	NAS6604-77		.BOLT	AQ-AT ,BZ	1
195	MS21042L4		.NUT	AQ-AT ,BZ	1
197	NAS6703-3		.BOLT	AQ-AT ,BT	4
200	287T6111-23		.FILLER	AQ-AT ,BZ	2
205	287T6111-21		.BRACKET	AQ-AT ,BZ	1
210	287T6111-22		.BRACKET	AQ-AT ,BZ	1
215	NAS1801-3-6		.SCREW	AQ-AT ,BZ	1
220	287T6111-39		.BRACKET ASSY	AQ-AT ,BZ	1
225	BACR15BA3AD		..RIVET- (SIZE DETERMINE ON INST)	AQ-AT ,BZ	2
230	BRM200A3		..NUTPLATE- (V52828) (SPEC BACN10JP3A) (OPT MK1000-3BAC (V15653)) (OPT NS103197-02 (V80539)) (OPT RMA9201M3 (V72962)) (OPT VN202A1-02 (V92215)) (OPT T8076S1032 (V11815))	AQ-AT ,BZ	1

32-11-28

 ILLUSTRATED PARTS LIST
 01.1 Page 1088S
 Jul 01/03

FIG. & ITEM	PART NO.	AIRLINE PART NUMBER	NOMENCLATURE 1234567	EFF CODE	QTY PER ASSY
10-235	287T6111-40		. .BRACKET	AQ-AT	1
-240	Y8412		.TAPE- (V26066)	,BZ AQ-AT	AR
245	287T6104-335		.HARNESS ASSY-L GEAR FWD TRUCK (REF CMM 32-10-51)	,BZ AQ	1
-245A	287T6104-369		.HARNESS ASSY-L GEAR FWD TRUCK (REF CMM 32-10-51)	AS	1
-250	287T6104-336		.HARNESS ASSY-R GEAR FWD TRUCK (REF CMM 32-10-51)	AR,BZ	1
-250A	287T6104-370		.HARNESS ASSY-R GEAR FWD TRUCK (REF CMM 32-10-51)	AT	1
255	287T6104-337		.HARNESS ASSY-L GEAR AFT TRUCK (REF CMM 32-10-51)	AQ	1
-255A	287T6104-371		DELETED		
-260	287T6104-338		.HARNESS ASSY-R GEAR AFT TRUCK (REF CMM 32-10-51)	AR	1
-260A	287T6104-379		.HARNESS ASSY-R GEAR AFT TRUCK (REF CMM 32-10-51)	AT	1
-260B	287T6104-372		.HARNESS ASSY-R GEAR AFT TRUCK (REF CMM 32-10-51)	BZ	1

32-11-28

 ILLUSTRATED PARTS LIST
 01.1 Page 1088T
 Jul 01/03


BOEING
 COMPONENT
 MAINTENANCE MANUAL

FIG. & ITEM	PART NO.	AIRLINE PART NUMBER	NOMENCLATURE 1234567	EFF CODE	QTY PER ASSY
10-					
265	287U6104-105		DELETED		
270	254871-0222		DELETED		
-270A	S287T001-208		DELETED		
275	BACN10WW6C		DELETED		
280	287T6111-31		DELETED		
285	8-345-03		DELETED		
-285A	8-345-01		DELETED		
-285B	8-935-01		DELETED		
290	254871-0218		DELETED		
-290A	287T6104-104		DELETED		
-295	S287T001-219		DELETED		
-295A	S287T001-205		DELETED		
300	T300-704-0005		DELETED		
305	254871-0232		DELETED		
310	254871-0233		DELETED		
315	287T6104-102		DELETED		
-315A	287T6104-103		DELETED		
-315B	287T6104-101		DELETED		
-317	287T6104-103		DELETED		
-317A	287T6104-101		DELETED		
320	254871-0216		DELETED		
-320A	S287T001-202		DELETED		
-320B	254871-0217		DELETED		
-320C	S287T001-203		DELETED		
-320D	254871-0215		DELETED		
-322	254871-0217		DELETED		
-322A	S287T001-203		DELETED		
-322B	254871-0215		DELETED		
325	287T6104-18		DELETED		
330	TFE2X		DELETED		

32-11-28

 ILLUSTRATED PARTS LIST
 01.1 Page 1088U
 Jul 01/03

FIG. & ITEM	PART NO.	AIRLINE PART NUMBER	NOMENCLATURE 1234567	EFF CODE	QTY PER ASSY
10-					
335	287T6112-5		DELETED		
340	BACN10WW10C		DELETED		
345	BACF32H10C		DELETED		
350	287T6112-6		DELETED		
355	287T6104-42		DELETED		
360	287T6104-43		DELETED		
365	287T6104-44		DELETED		
-370	256T0676-0AB		DELETED		
-375	256T0686-0AB		DELETED		
-380	256T0668-0AB		DELETED		
-385	256T0688-0AB		DELETED		
-385A	256T0688-0AH		DELETED		
390	287T6108-17		DELETED		
395	NAS514P1032-6P		DELETED		
400	MS20615-3M4		DELETED		
405	MF6001-3		DELETED		
410	287T6108-30		DELETED		
415	287T6108-31		DELETED		
-415A	287T6108-11		DELETED		
-415B	287T6108-21		DELETED		
420	287T6108-25		DELETED		
-420A	287T6108-10		DELETED		
425	NAS6603-3		DELETED		
430	AN960C10L		DELETED		
435	F22K1-02		DELETED		
440	287T6108-27		DELETED		
445	287T6133-1		DELETED		
450	287T6106-11		DELETED		
455	NAS6703-3		DELETED		
460	AN960C10		DELETED		
465	MS20427M4		DELETED		
-465A	BACR15CE4M		DELETED		
470	287T6116-10		DELETED		
475	287T6106-14		DELETED		
-475A	287T6106-9		DELETED		
480	287T6132-1		DELETED		
-480A	287T6132-13		DELETED		
-482	287T6132-13		DELETED		
485	MS21209F1-20		DELETED		
490	MS20427M3		DELETED		

32-11-28

 ILLUSTRATED PARTS LIST
 01.1 Page 1088V
 Jul 01/03

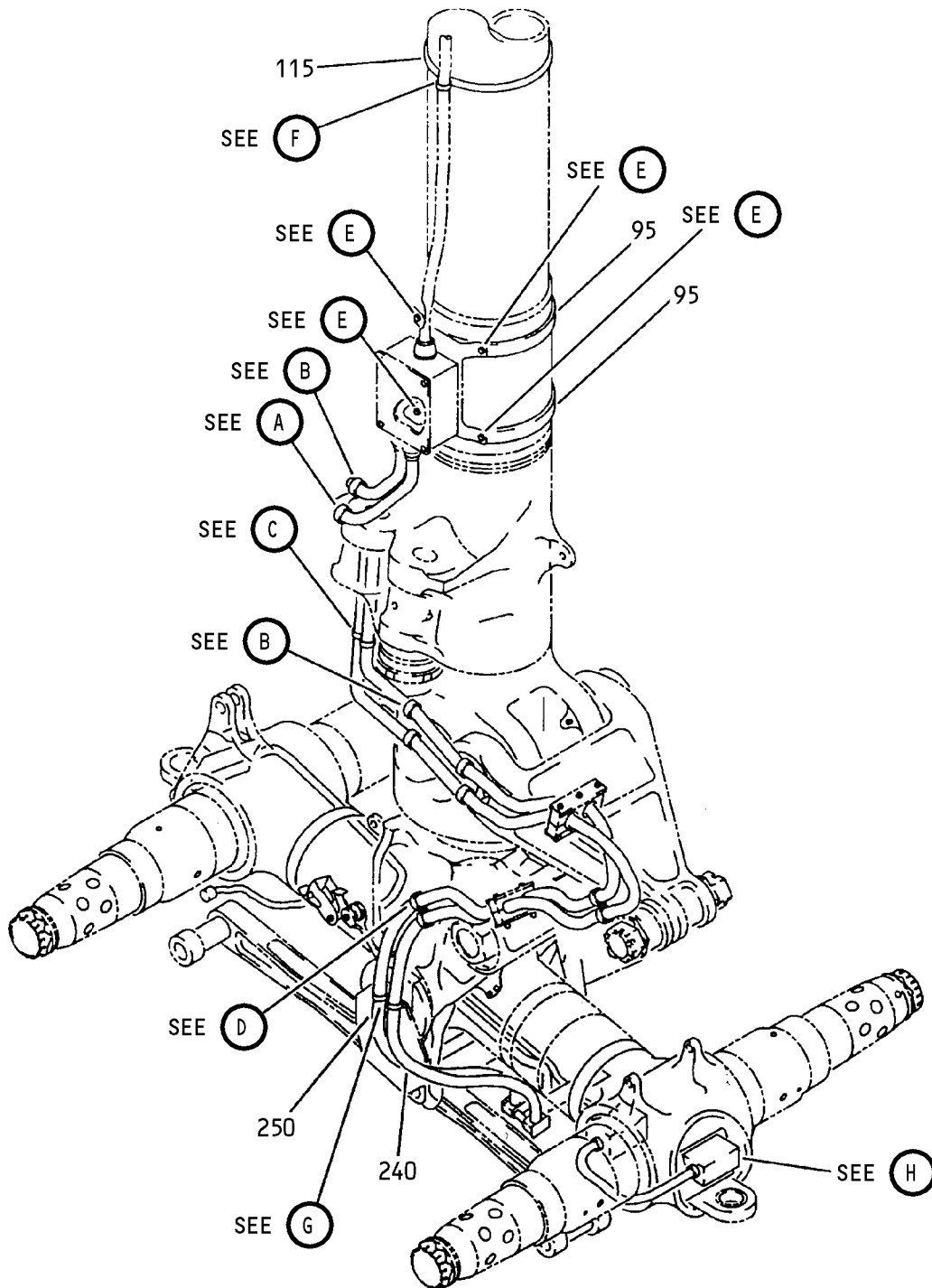

BOEING
 COMPONENT
 MAINTENANCE MANUAL

FIG. & ITEM	PART NO.	AIRLINE PART NUMBER	NOMENCLATURE 1234567	EFF CODE	QTY PER ASSY
10-					
495	T8102C3CK		DELETED		
500	MS20427M3		DELETED		
505	T8102C3CK		DELETED		
510	287T6132-2		DELETED		
-510A	287T6106-2		DELETED		
-512	287T6106-2		DELETED		

- Item Not Illustrated

32-11-28

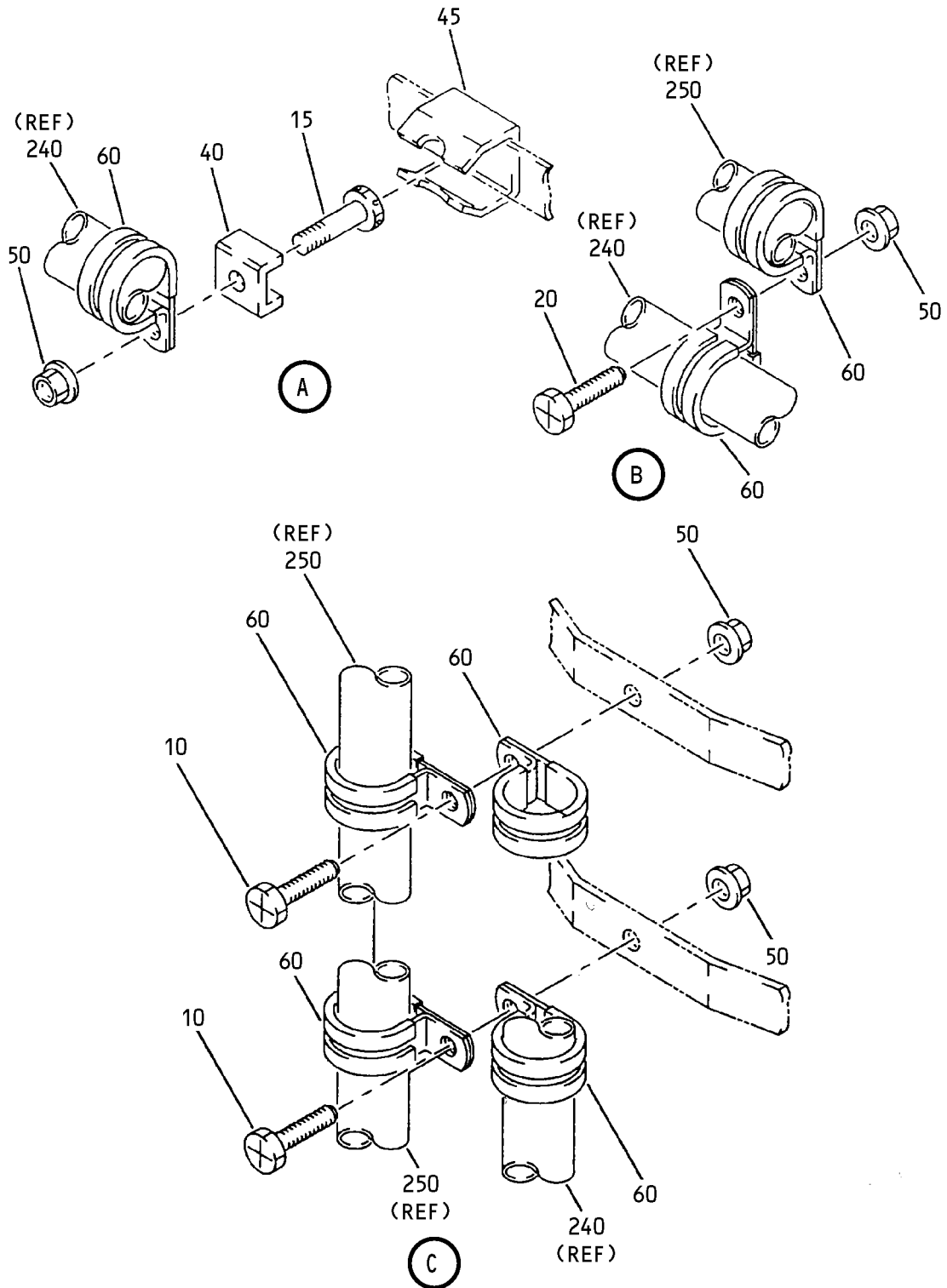
ILLUSTRATED PARTS LIST
 01.1 Page 1088W
 Jul 01/03



Wire Provision Installation
Figure 11 (Sheet 1)

32-11-28

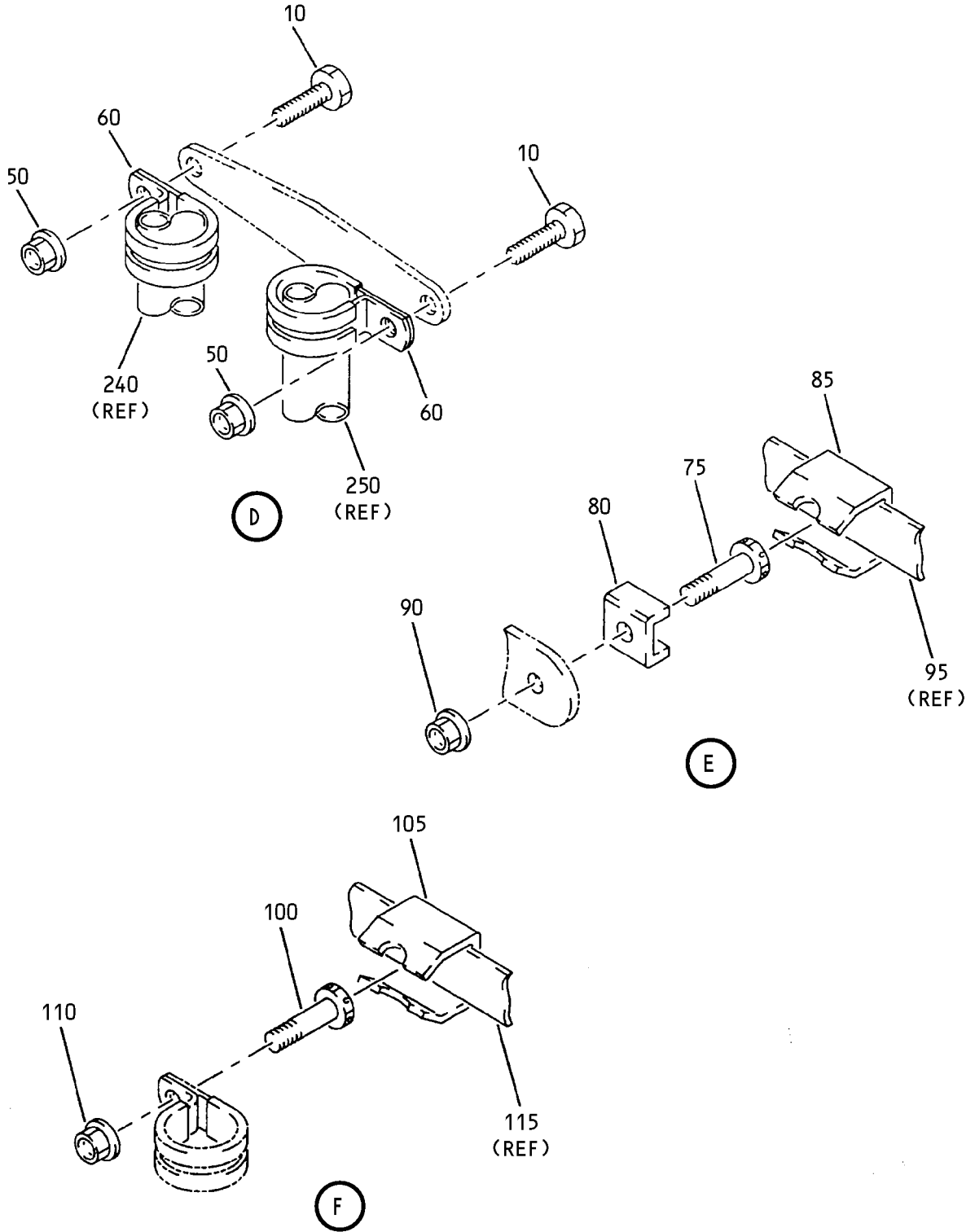
ILLUSTRATED PARTS LIST
01.1 Page 1088Y
Jul 01/03



Wire Provision Installation
 Figure 11 (Sheet 2)

32-11-28

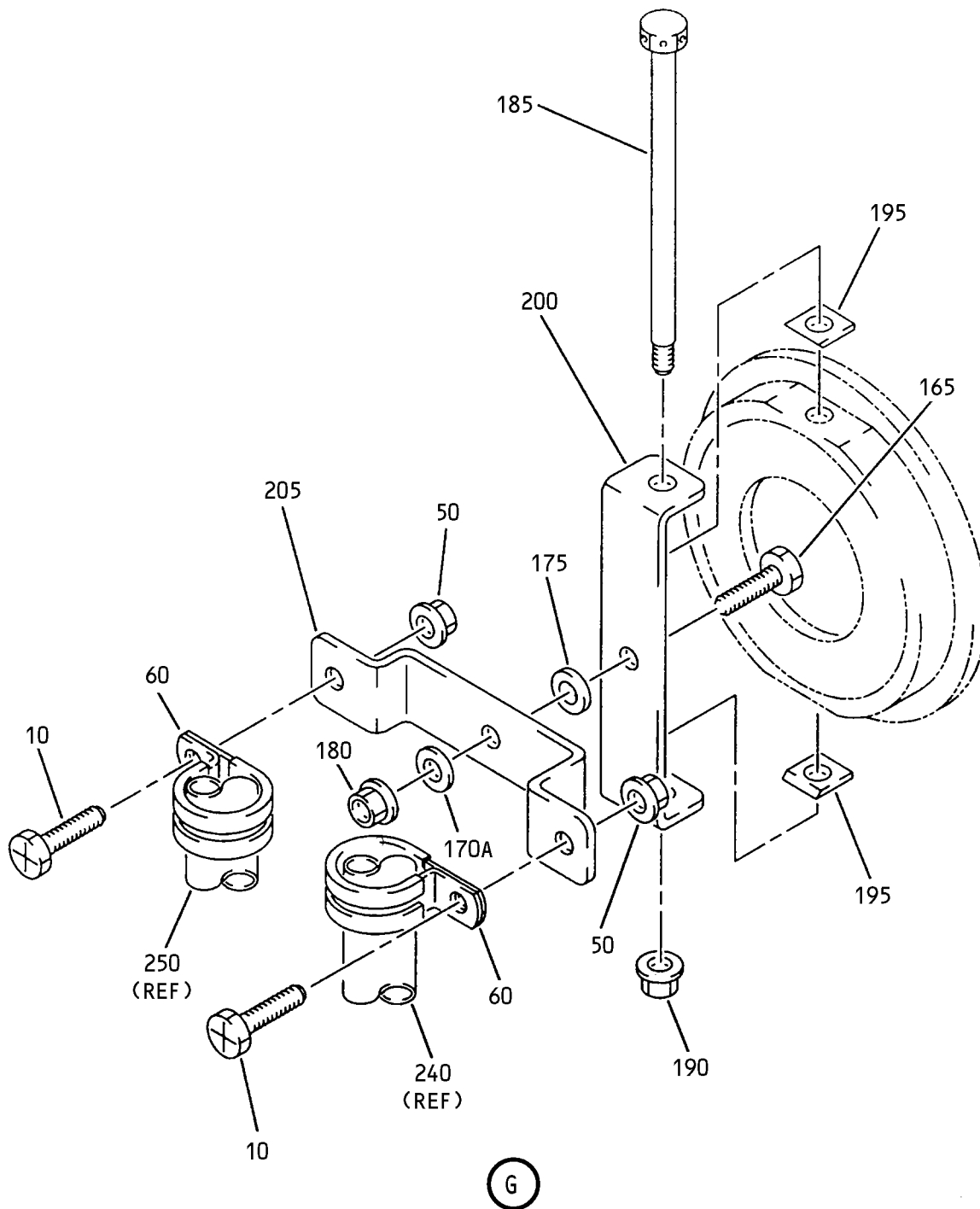
ILLUSTRATED PARTS LIST
 01.1 Page 1088Z
 Jul 01/03



Wire Provision Installation
Figure 11 (Sheet 3)

32-11-28

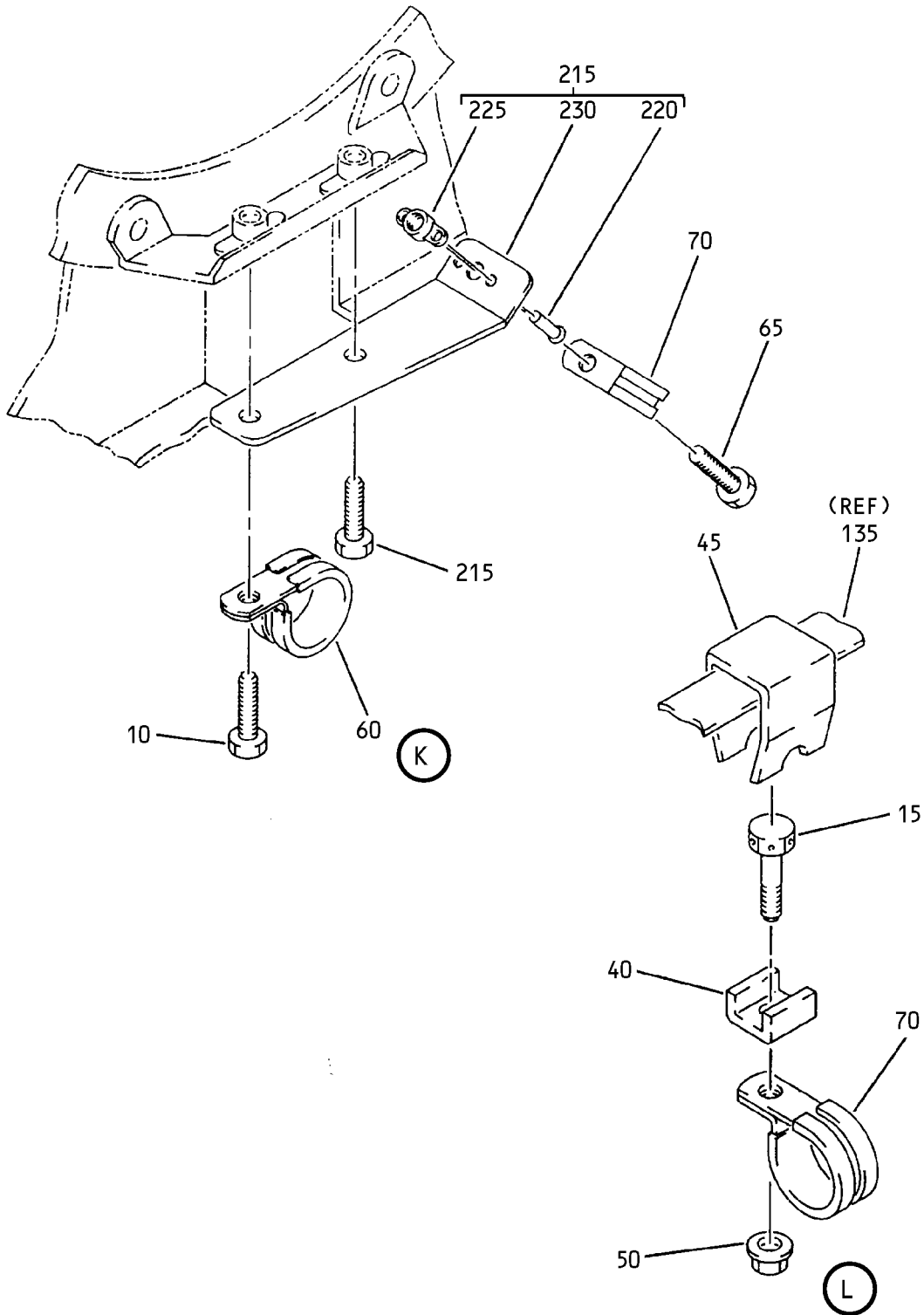
ILLUSTRATED PARTS LIST
01.1 Page 1089
Jul 01/03



Wire Provision Installation
Figure 11 (Sheet 4)

32-11-28

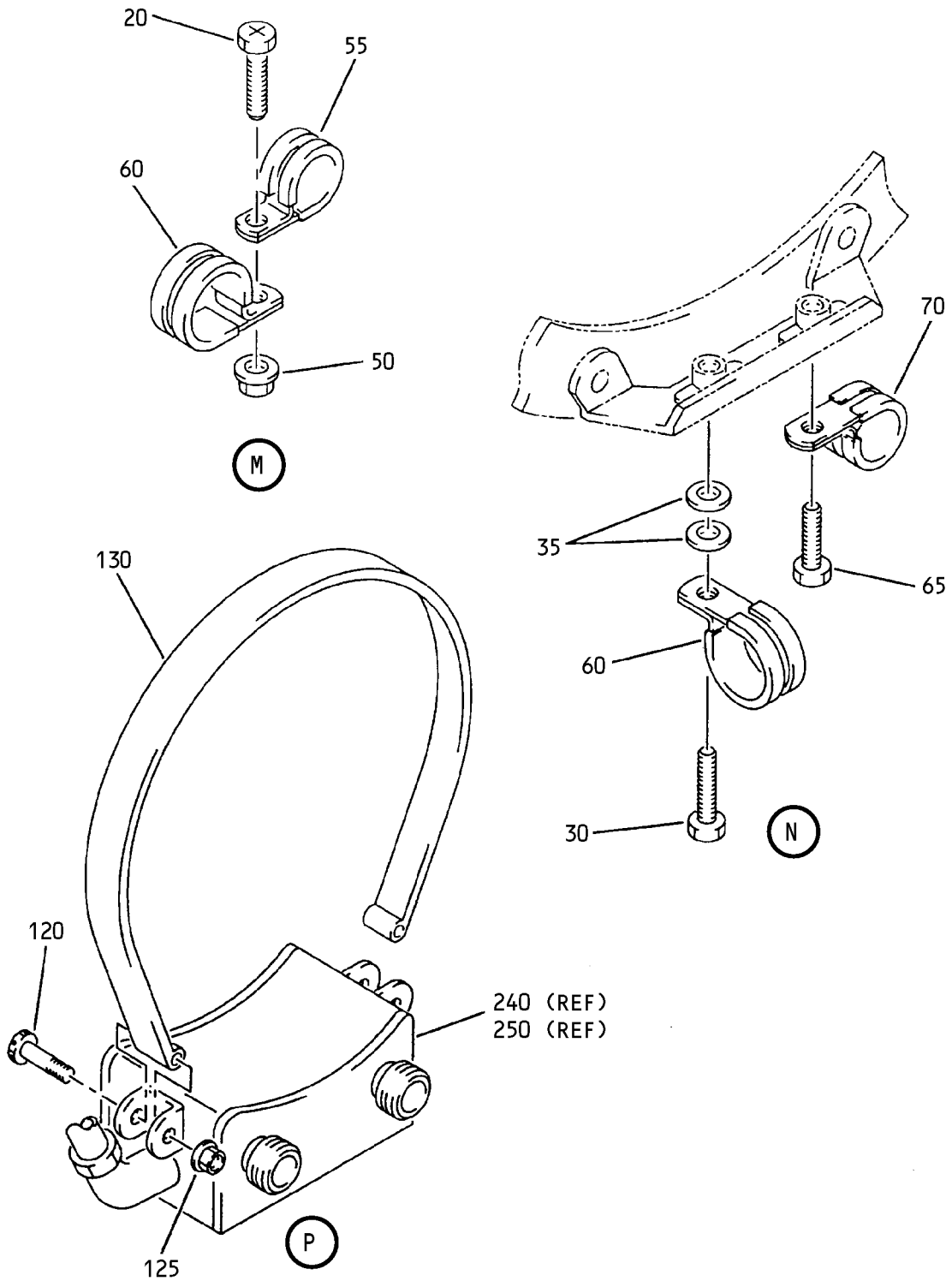
ILLUSTRATED PARTS LIST
01.1 Page 1090
Jul 01/03



Wire Provision Installation
Figure 11 (Sheet 6)

32-11-28

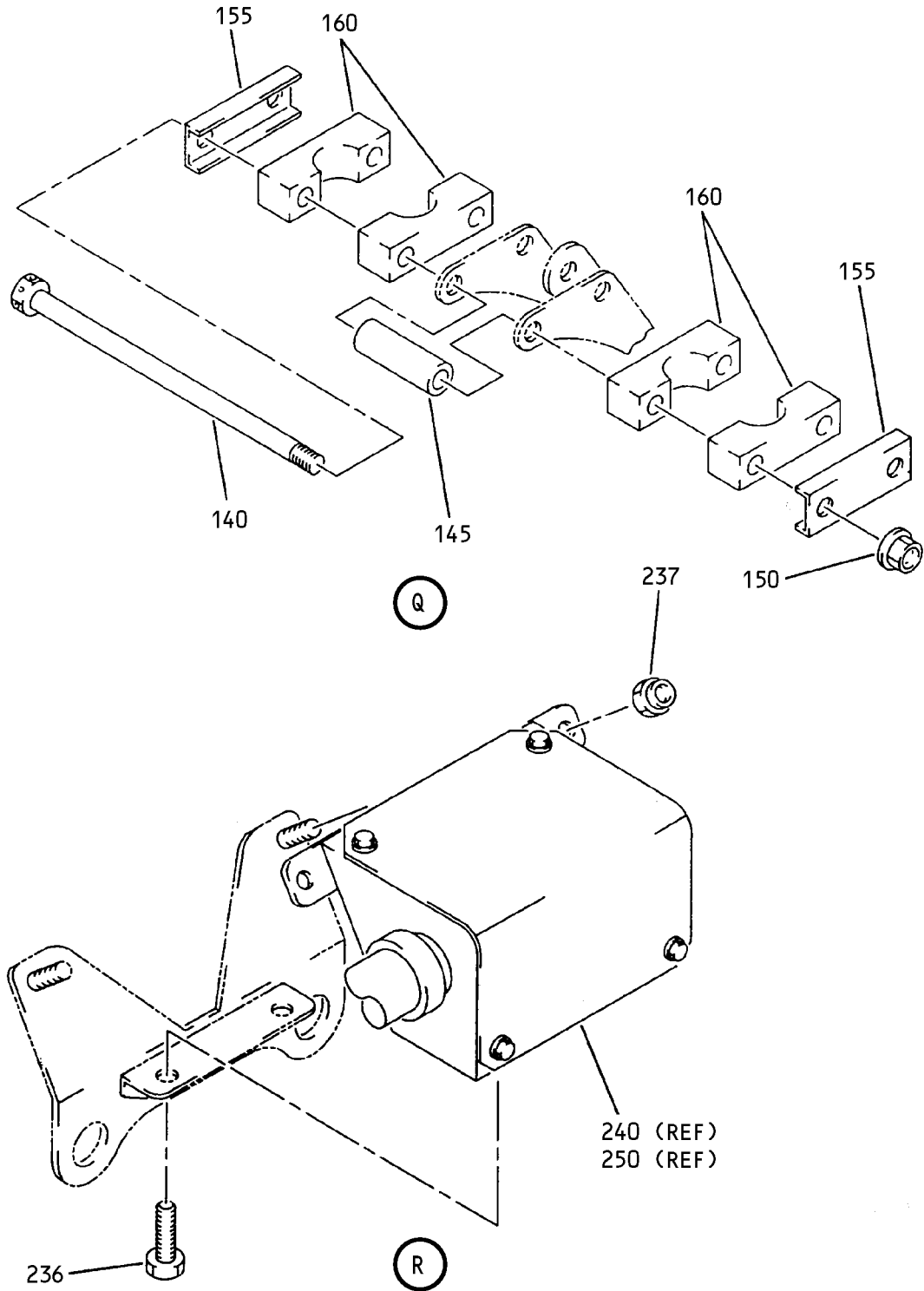
ILLUSTRATED PARTS LIST
01.1 Page 1090B
Jul 01/03



Wire Provision Installation
Figure 11 (Sheet 7)

32-11-28

ILLUSTRATED PARTS LIST
01.1 Page 1090C
Jul 01/03



Wire Provision Installation
Figure 11 (Sheet 8)

32-11-28

ILLUSTRATED PARTS LIST
01.1 Page 1090D
Jul 01/03


BOEING
 COMPONENT
 MAINTENANCE MANUAL

FIG. & ITEM	PART NO.	AIRLINE PART NUMBER	NOMENCLATURE 1234567	EFF CODE	QTY PER ASSY
11- -1	287T6101-431		WIRE PROV INSTL-L MLG WITH BRAKE TEMP AND TIRE PRESSURE IND, NO BRAKE FAN (0.62 ID CONDUIT)	AL	RF
-1A	287T6101-433		WIRE PROV INSTL-L MLG WITH BRAKE TEMP AND BRAKE FAN, NO TIRE PRESSURE IND (0.62 ID CONDUIT)	AY	RF
-1B	287T6101-464		WIRE PROV INSTL-L MLG WITH BRAKE TEMP AND TIRE PRESSURE IND, NO BRAKE FAN, (0.62 ID CONDUIT)	AN	RF
-5	287T6101-434		WIRE PROV INSTL-R MLG WITH BRAKE TEMP AND TIRE PRESSURE IND, NO BRAKE FAN, (0.62 ID CONDUIT)	AM	RF
-5A	287T6101-436		WIRE PROV INSTL-R MLG BRAKE TEMP, BRAKE FAN, NO TIRE PRESSURE IND STAINLESS STEEL TRUCK TILE SENSORS (0.62 ID CONDUITS)	AZ	RF
-5B	287T6101-466		WIRE PROV INSTL-R MLG BRAKE TEMP, TIRE PRESSURE IND, NO BRAKE FAN STAINLESS STEEL TRUCK TILE SENSORS (0.62 ID CONDUITS)	AP	RF
-5C	287T6101-469		WIRE PROV INSTL-R MLG BRAKE TEMP, TIRE PRESSURE IND, NO BRAKE FAN (0.62 ID CONDUIT)	CA	RF
10	NAS1801-3-7		.SCREW	AL-AP ,AY- CA	7
15	NAS6603-3		.BOLT	AL-AP ,AY- CA	5
17	NAS6603-3		.BOLT	AP,AZ ,CA	1
20	NAS1801-3-6		.SCREW	AL-AP ,AY- CA	4

32-11-28

 ILLUSTRATED PARTS LIST
 01.1 Page 1090E
 Jul 01/03

FIG. & ITEM	PART NO.	AIRLINE PART NUMBER	NOMENCLATURE 1234567	EFF CODE	QTY PER ASSY
11- 25 30	NAS1801-3-10 NAS1801-3-8		DELETED .SCREW	AL-AP ,AY- CA	2
35	NAS1149D0363J		.WASHER	AL-AP ,AY- CA	4
40	BACB19F10		.BLOCK	AL-AP ,AY- CA	5
42	BACB19F10		.BLOCK	AP,AZ ,CA	1
45	BACC15AN10		.CLIP	AL-AP ,AY- CA	5
47	BACC15AN10		.CLIP	AP,AZ ,CA	1
50	MS21042L3		.NUT	AL-AN ,AY	15
-50A -50B	BAC10YR3CM H52732-3CM		DELETED .NUT- (V15653) (SPEC BACN10YR3CM) (OPT PLH53CM (V62554))	AP,AZ ,CA	10
52	H52732-3CM		.NUT- (V15653) (SPEC BACN10YR3CM) (OPT PLH53CM (V62554))	AP,AZ ,CA	1

32-11-28

 ILLUSTRATED PARTS LIST
 01.1 Page 1090F
 Jul 01/03


BOEING
 COMPONENT
 MAINTENANCE MANUAL

FIG. & ITEM	PART NO.	AIRLINE PART NUMBER	NOMENCLATURE 1234567	EFF CODE	QTY PER ASSY
11-55	JM44LC13WS7R		.CLAMP- (V22175) (SPEC BACC10GE7) (OPT S369WH7 (V18076)) (OPT TA12C32WS7 (V84971)) (OPT 509S7 (V83930))	AL-AP ,AY- CA	2
57	JM44LC13WS7R		.CLAMP- (V22175) (SPEC BACC10GE7) (OPT S369WH7 (V18076)) (OPT TA12C32WS7 (V84971)) (OPT 509S7 (V83930))	AP,AZ ,CA	1
-60	JM44LC13WS12R		.CLAMP- (V22175) (SPEC BACC10GE12) (OPT S369WH12 (V18076)) (OPT TA12C32WS12 (V84971)) (OPT 509S12 (V83930))	AL-AP ,AY- CA	18
65	NAS1801-3-6		.SCREW	AL-AP ,AY- CA	3
70	JM44LC13WS7R		.CLAMP- (V22175) (SPEC BACC10GE7) (OPT S369WH7 (V18076)) (OPT TA12C32WS7 (V84971)) (OPT 509S7 (V83930))	AL-AP ,AY- CA	7

32-11-28

 ILLUSTRATED PARTS LIST
 01.1 Page 1090G
 Jul 01/03

FIG. & ITEM	PART NO.	AIRLINE PART NUMBER	NOMENCLATURE 1234567	EFF CODE	QTY PER ASSY
11-75	NAS6603-3		.BOLT	AL-AP AY- CA	4
80	BACB19F10		.BLOCK	AL-AP AY- CA	4
85	BACC15AN10		.CLIP	AL-AP AY- CA	4
90	MS21042L3		.NUT	AL-AN AY	4
-90A	H52732-3CM		.NUT- (V15653) (SPEC BACN10YR3CM) (OPT PLH53CM (V62554))	AP,AZ CA	4
95	3140AB116E		.CLAMP- (V94581) (SPEC BACC10FY116SE) (OPT BC1083-116SE (V14242)) (OPT NE103338-116 (V8W928))	AL-AP AY- CA	2
100	NAS6603-3		.BOLT	AL-AP AY- CA	1
105	BACC15AN10		.CLIP	AL-AP AY- CA	1
110	MS21042L3		.NUT	AL-AN AY	1

32-11-28

 ILLUSTRATED PARTS LIST
 01.1 Page 1090H
 Jul 01/03


BOEING
 COMPONENT
 MAINTENANCE MANUAL

FIG. & ITEM	PART NO.	AIRLINE PART NUMBER	NOMENCLATURE 1234567	EFF CODE	QTY PER ASSY
11- -110A	H52732-3CM		.NUT- (V15653) (SPEC BACN10YR3CM) (OPT PLH53CM (V62554))	AP, AZ , CA	1
115	3140AB101E		.CLAMP- (V94581) (SPEC BACC10FY101SE) (OPT BC1083-101SE (V14242)) (OPT NE103338-101 (V8W928)) (OPT ITEM 115A)	AL-AP , AY, A Z	1
-115A	3140AB102E		.CLAMP- (V94581) (SPEC BACC10FY102SE) (OPT BC1083-102SE (V14242)) (OPT NE103338-102 (V8W928)) (OPT ITEM 115)	AL-AP , AY, A Z	1
-115B	3140AB101E		.CLAMP- (V94581) (SPEC BACC10FY101SE) (OPT BC1083-101SE (V14242)) (OPT NE103338-101 (V8W928))	CA	1
120	NAS6603-15		.BOLT	AL-AP , AY- CA	4
125	MS21042L3		.NUT	AL-AN , AY	4
-125A	H52732-3CM		.NUT- (V15653) (SPEC BACN10YR3CM) (OPT PLH53CM (V62554))	AP, AZ , CA	4
130	BCREF116069		.CLAMP- (BACC10ET080-038E)	AL-AP , AY- CA	2

32-11-28

 ILLUSTRATED PARTS LIST
 01.1 Page 1090I
 Jul 01/03

FIG. & ITEM	PART NO.	AIRLINE PART NUMBER	NOMENCLATURE 1234567	EFF CODE	QTY PER ASSY
11-135	3140AB081E		.CLAMP- (V94581) (SPEC BACC10FY081SE) (OPT BC1083-081SE (V14242)) (OPT NE103888-081 (V8W928))	AL-AP ,AY- CA	2
137	3140AB081E		.CLAMP- (V94581) (SPEC BACC10FY081SE) (OPT BC1083-081SE (V14242)) (OPT NE103888-081 (V8W928))	AP,AZ ,CA	1
140	NAS6603-64		.BOLT	AL-AP ,AY- CA	2
145	NAS42DD6-92FC		.SPACER	AL-AP ,AY- CA	2
150	MS21042L3		.NUT	AL-AN ,AY	2
-150A	H52732-3CM		.NUT- (V15653) (SPEC BACN10YR3CM) (OPT PLH53CM (V62554))	AP,AZ ,CA	2
155	287T6111-15		.CHANNEL	AL-AP ,AY- CA	2
160	287T6116-5		.BLOCK	AL-AP ,AY- CA	4
165	NAS1801-3-8		.SCREW	AL-AP ,AY- CA	1
170	AN960-3		DELETED		
170A	AN970-3		.WASHER	AL-AP ,AY- CA	1
175	NAS77-3-007		.BUSHING	AL-AP ,AY- CA	1
180	MS21042L3		.NUT	AL-AN ,AY	1

32-11-28

ILLUSTRATED PARTS LIST

01.1 Page 1090J

Jul 01/03


BOEING
 COMPONENT
 MAINTENANCE MANUAL

FIG. & ITEM	PART NO.	AIRLINE PART NUMBER	NOMENCLATURE 1234567	EFF CODE	QTY PER ASSY
11- -180A	H52732-3CM		.NUT- (V15653) (SPEC BACN10YR3CM) (OPT PLH53CM (V62554))	AP,AZ ,CA	1
185	NAS6604-77		.BOLT	AL-AP ,AY,A Z,CA	1
190	MS21042L4		.NUT	AL-AN ,AY	1
-190A	H52732-4CM		.NUT- (V15653) (SPEC BACN10YR4CM) (OPT PLH54CM (V62554))	AP,AZ ,CA	1
195	287T6111-23		.FILLER	AL-AP ,AY,A Z,CA	2
200	287T6111-21		.BRACKET	AL-AP ,AY,A Z,CA	1
205	287T6111-22		.BRACKET	AL-AP ,AY- CA	1
210	NAS1801-3-6		.SCREW	AL-AP ,AY- CA	1
215	287T6111-39		.BRACKET ASSY	AL-AP ,AY- CA	1
220	BACR15BA3AD		..RIVET- (SIZE DETERMINE ON INST)	AL-AP ,AY- CA	2

32-11-28

 ILLUSTRATED PARTS LIST
 01.1 Page 1090K
 Jul 01/03

FIG. & ITEM	PART NO.	AIRLINE PART NUMBER	NOMENCLATURE 1234567	EFF CODE	QTY PER ASSY
11-225	BRM200A3		. .NUTPLATE- (V52828) (SPEC BACN10JP3A) (OPT MK1000-3BAC (V15653)) (OPT NS103197-02 (V80539)) (OPT RMA9201M3 (V72962)) (OPT VN202A1-02 (V92215)) (OPT T8076S1032 (V11815))	AL-AP AY- CA	1
230	287T6111-40		. .BRACKET	AL-AP AY- CA	1
-235	Y8412		. TAPE- (V26066)	AL-AP AY- CA	AR
236	NAS6703-3		. BOLT	AL-AP AY- CA	4
237	BRH10C3M		. NUT- (V52828) (SPEC BACN10JC3CM) (OPT T6C1032JM (V11815)) (OPT 97E02 (V80539)) (OPT 109LH9075-3W (V72962)) (OPT VN303D02 (V92215)) (OPT NS202101SE02 (V80539)) (OPT H01-3BAC (V15653))	AL-AP AY- CA	4

32-11-28

 ILLUSTRATED PARTS LIST
 01.1 Page 1090L
 Jul 01/03


BOEING
 COMPONENT
 MAINTENANCE MANUAL

FIG. & ITEM	PART NO.	AIRLINE PART NUMBER	NOMENCLATURE 1234567	EFF CODE	QTY PER ASSY
11-240	287T6104-339		.HARNES ASSY-L GEAR FWD TRUCK (REF CMM 32-10-52)	AL	1
-240A	287T6104-343		.HARNES ASSY-L GEAR FWD TRUCK (REF CMM 32-10-51)	AY	1
-240B	287T6104-373		.HARNES ASSY-L GEAR FWD TRUCK (REF CMM 32-10-52)	AN	1
-245	287T6104-340		.HARNES ASSY-R GEAR FWD TRUCK (REF CMM 32-10-52)	AM,CA	1
-245A	287T6104-344		.HARNES ASSY-R GEAR FWD TRUCK (REF CMM 32-10-51)	AZ	1
-245B	287T6104-374		.HARNES ASSY-R GEAR FWD TRUCK (REF CMM 32-10-52)	AP	1
250	287T6104-341		.HARNES ASSY-L GEAR AFT TRUCK (REF CMM 32-10-52)	AL	1
-250A	287T6104-345		.HARNES ASSY-L GEAR AFT TRUCK (REF CMM 32-10-51)	AY	1
-250B	287T6104-375		.HARNES ASSY-L GEAR AFT TRUCK (REF CMM 32-10-52)	AN	1
-255	287T6104-342		.HARNES ASSY-R GEAR AFT TRUCK (REF CMM 32-10-52)	AM	1
-255A	287T6104-346		.HARNES ASSY-R GEAR AFT TRUCK (REF CMM 32-10-51)	AZ	1
-255B	287T6104-377		.HARNES ASSY-R GEAR AFT TRUCK (REF CMM 32-10-52)	AP	1
-255C	287T6104-376		.HARNES ASSY-R GEAR AFT TRUCK (REF CMM 32-10-52)	CA	1

32-11-28

 ILLUSTRATED PARTS LIST
 01.1 Page 1090M
 Jul 01/03

FIG. & ITEM	PART NO.	AIRLINE PART NUMBER	NOMENCLATURE 1234567	EFF CODE	QTY PER ASSY
11-					
260	287U6104-105		DELETED		
265	254871-0222		DELETED		
-270	S287T001-208		DELETED		
275	BACN10WW6C		DELETED		
280	287T6111-31		DELETED		
285	8-345-03		DELETED		
-285A	8-345-01		DELETED		
-285B	8-935-01		DELETED		
290	S287T001-218		DELETED		
-290A	S287T001-204		DELETED		
-290B	287T6104-104		DELETED		
295	S287T001-219		DELETED		
-295A	S287T001-205		DELETED		
-295B	287T6104-104		DELETED		
300	T300-704-0005		DELETED		
305	254871-0232		DELETED		
310	254871-0233		DELETED		
315	287T6104-101		DELETED		
-315A	287T6104-100		DELETED		
-316	287T6104-100		DELETED		
320	254871-0215		DELETED		
-320A	254871-0214		DELETED		
-321	254871-0214		DELETED		
325	NAS1801-3-6		DELETED		
330	NAS6603-5		DELETED		
335	NAS42HT6-8		DELETED		
340	MS21042L3		DELETED		
-340A	H52732-3CD		DELETED		
345	287T6112-5		DELETED		
350	BACN10WW10C		DELETED		
355	BACF32H10C		DELETED		
360	287T6112-6		DELETED		
365	G70259T77-35		DELETED		
370	287T6104-42		DELETED		
375	287T6104-43		DELETED		
380	287T6104-44		DELETED		
385	287T6104-51		DELETED		

32-11-28

 ILLUSTRATED PARTS LIST
 01.1 Page 1090N
 Jul 01/03


BOEING
 COMPONENT
 MAINTENANCE MANUAL

FIG. & ITEM	PART NO.	AIRLINE PART NUMBER	NOMENCLATURE 1234567	EFF CODE	QTY PER ASSY
11-					
390	287T6104-52		DELETED		
395	287T6104-53		DELETED		
400	287T6104-54		DELETED		
405	MS35275-231		DELETED		
-405A	AN500AD6-10		DELETED		
410	NAS1057T1-006		DELETED		
415	BACN10WW6C		DELETED		
-420	286T0668-OAE		DELETED		
-425	286T0676-OAD		DELETED		
-425A	286T0676-OAE		DELETED		
-430	286T0686-OAD		DELETED		
-430A	286T0686-OAE		DELETED		
-435	286T0688-OAD		DELETED		
-435A	286T0688-OAK		DELETED		
440	287T6108-17		DELETED		
445	NAS514P1032-6P		DELETED		
450	MS20615-3M4		DELETED		
455	MF6001-3		DELETED		
460	287T6108-30		DELETED		
465	287T6108-31		DELETED		
-465A	287T6108-11		DELETED		
-465B	287T6108-21		DELETED		
470	287T6108-25		DELETED		
-470A	287T6108-10		DELETED		
475	NAS6603-3		DELETED		
480	AN960C10L		DELETED		
485	F22K1-02		DELETED		
487	287T6108-27		DELETED		
490	287T6133-1		DELETED		
495	287T6106-12		DELETED		
500	NAS6703-3		DELETED		
505	AN960C10		DELETED		
510	MS20427M3		DELETED		
515	MF6001-3		DELETED		
520	MS20427M4		DELETED		
525	287U0038-4		DELETED		
-525A	69B71058-1		DELETED		
-525B	287U0038-1		DELETED		
530	287T6116-10		DELETED		
535	287T6106-14		DELETED		
-535A	287T6106-9		DELETED		
540	287T6132-1		DELETED		
540A	287T6106-13		DELETED		
542	287T6106-13		DELETED		
545	MS21209F1-20		DELETED		

32-11-28

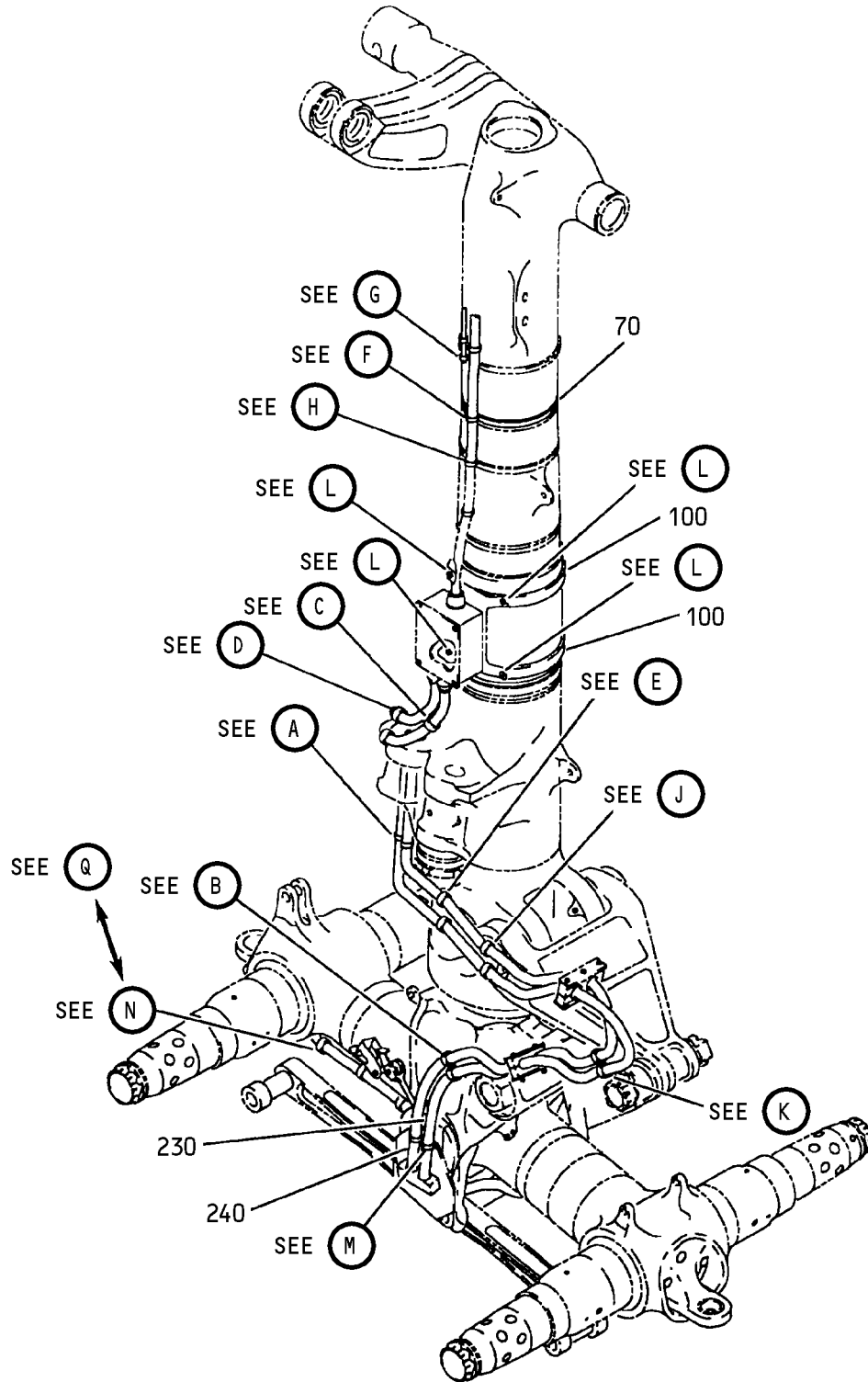
 ILLUSTRATED PARTS LIST
 01.1 Page 10900
 Jul 01/03

FIG. & ITEM	PART NO.	AIRLINE PART NUMBER	NOMENCLATURE	EFF CODE	QTY PER ASSY
			1234567		
11-					
550	MS20427M3		DELETED		
555	T8102C3CK		DELETED		
560	MS20427M3		DELETED		
565	T8102C3CK		DELETED		
570	287T6132-2		DELETED		
575	287T6106-2		DELETED		

- Item Not Illustrated

32-11-28

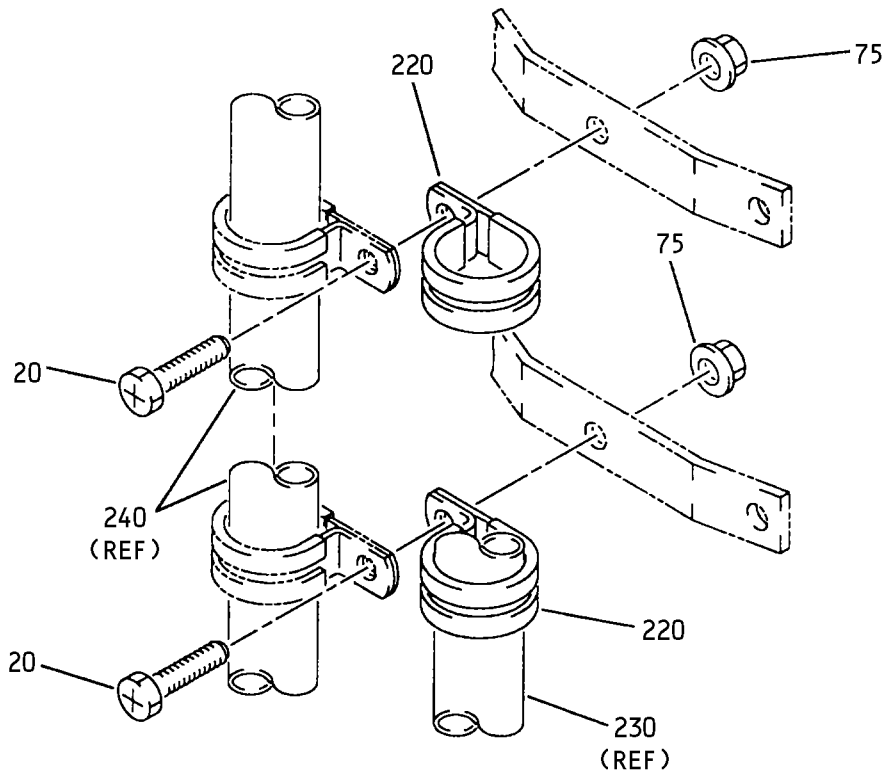
ILLUSTRATED PARTS LIST
 01.1 Page 1090P
 Jul 01/03



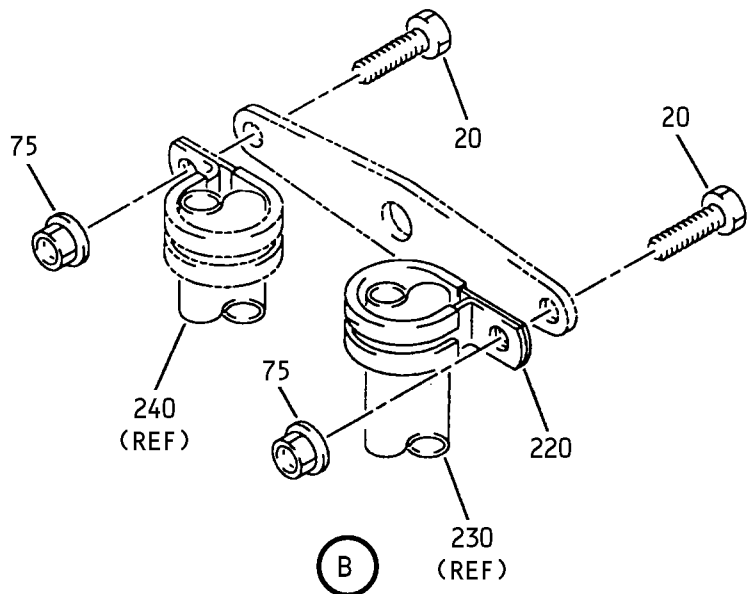
Wire Provision Installation
 Figure 12 (Sheet 1)

32-11-28

ILLUSTRATED PARTS LIST
 01.1 Page 1090R
 Jul 01/03



A

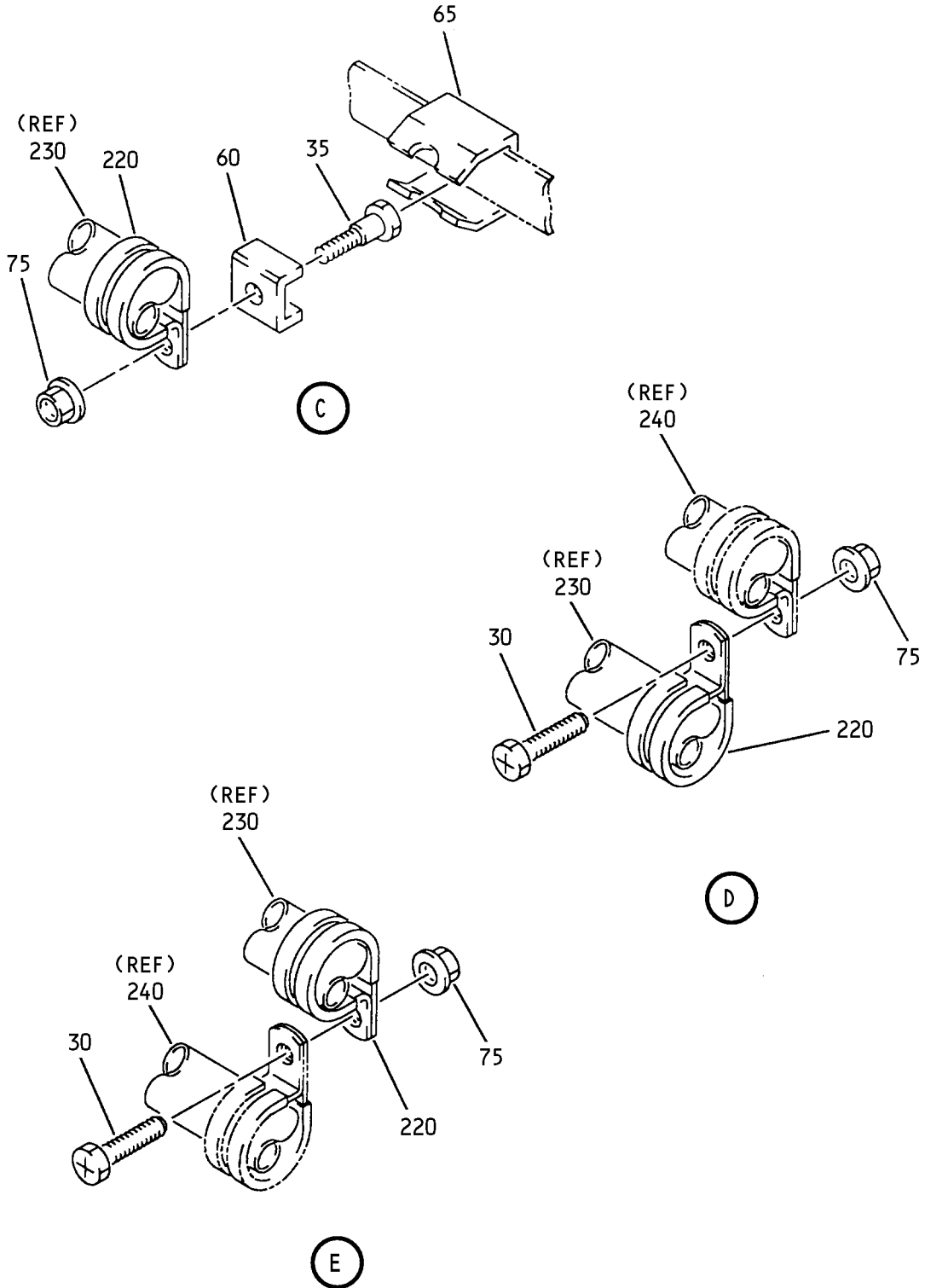


B

Wire Provision Installation
 Figure 12 (Sheet 2)

32-11-28

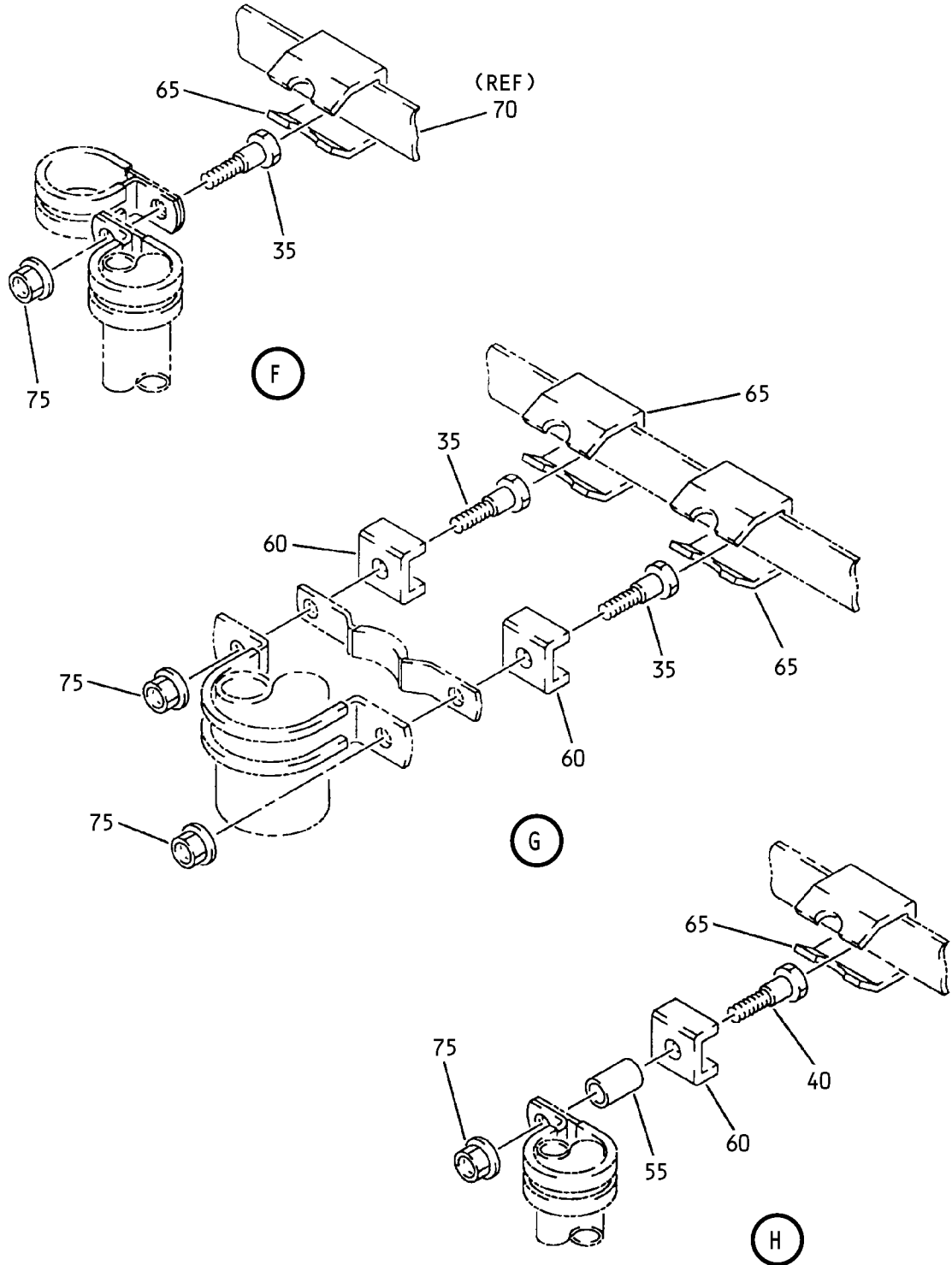
ILLUSTRATED PARTS LIST
 01.1 Page 1090S
 Jul 01/03



Wire Provision Installation
Figure 12 (Sheet 3)

32-11-28

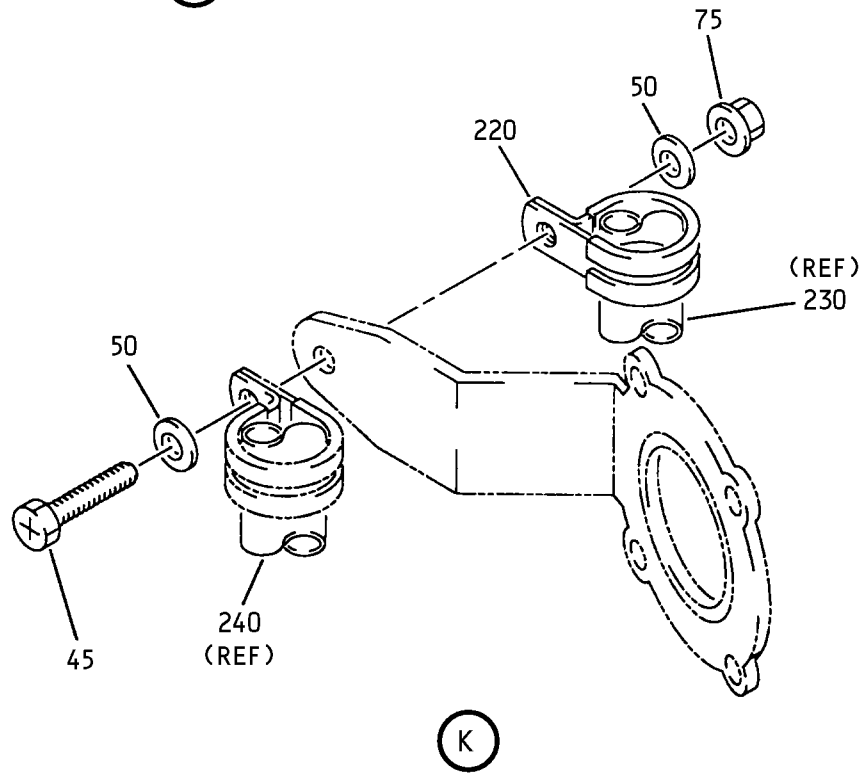
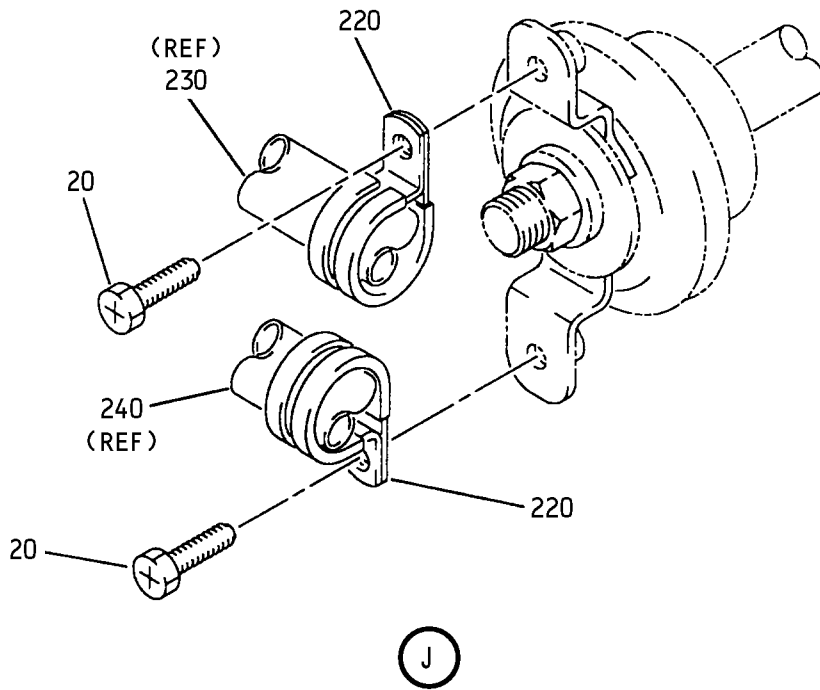
ILLUSTRATED PARTS LIST
01.1 Page 1090T
Jul 01/03



Wire Provision Installation
 Figure 12 (Sheet 4)

32-11-28

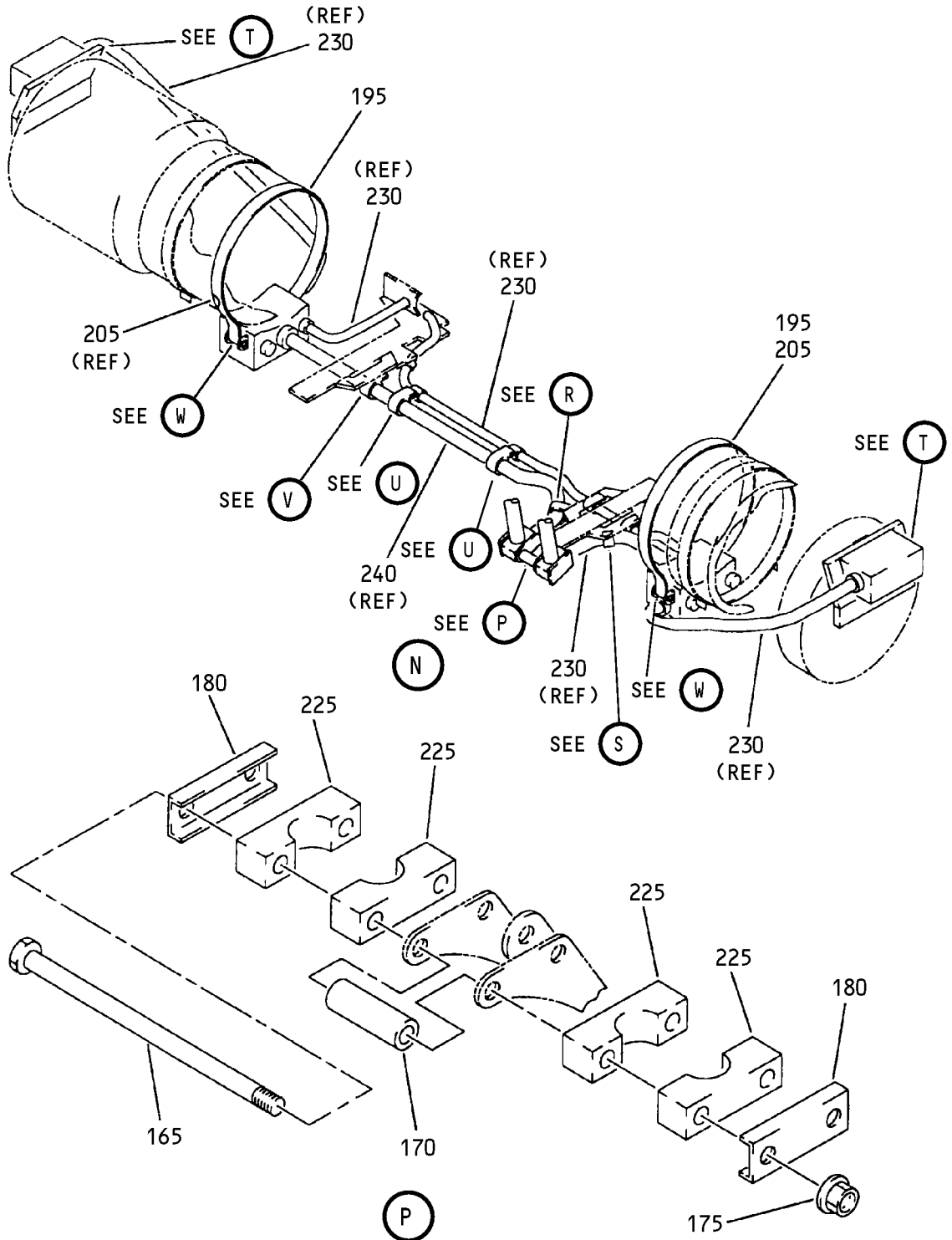
ILLUSTRATED PARTS LIST
 01.1 Page 1090U
 Jul 01/03



Wire Provision Installation
 Figure 12 (Sheet 5)

32-11-28

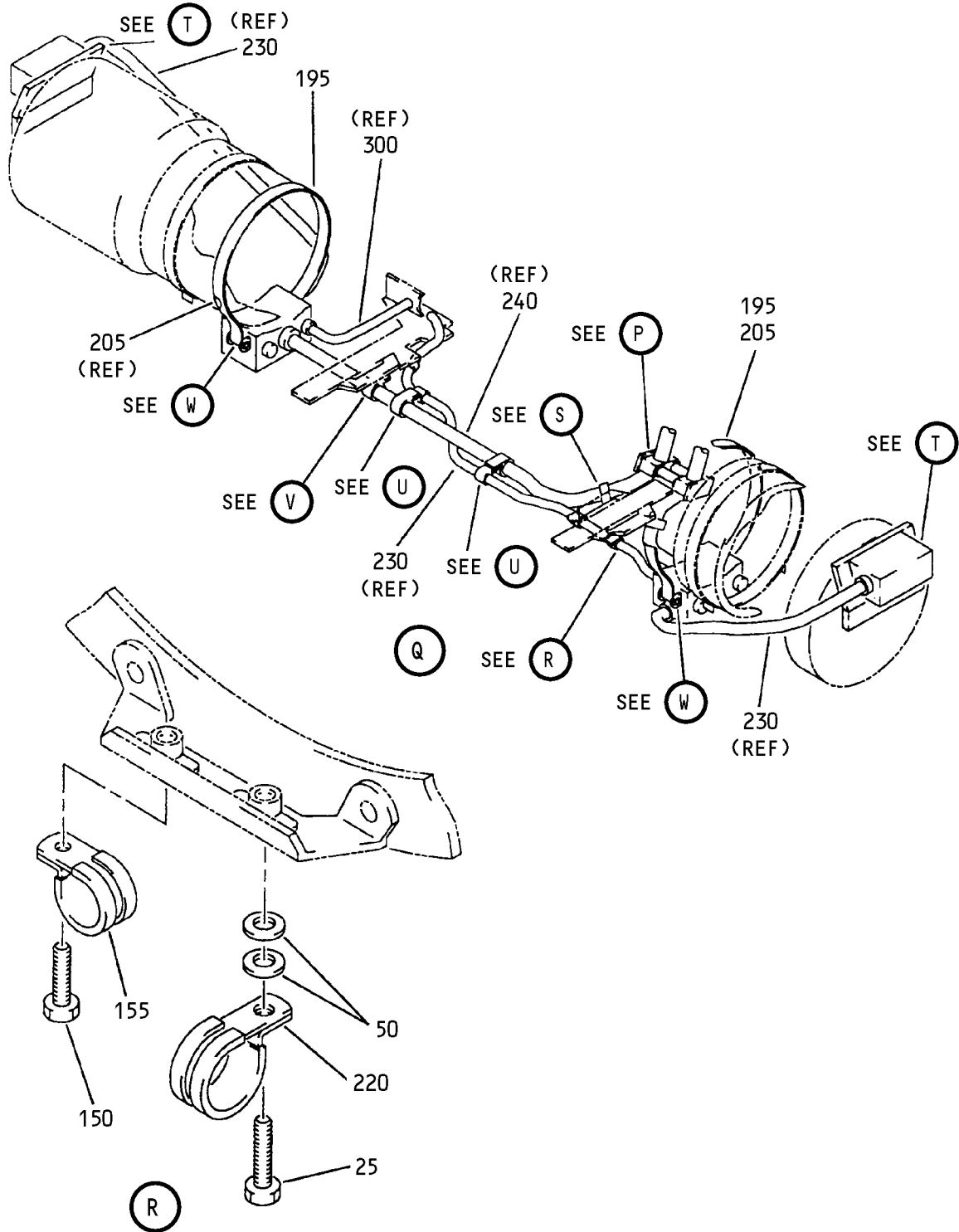
ILLUSTRATED PARTS LIST
 01.1 Page 1090V
 Jul 01/03



Wire Provision Installation
 Figure 12 (Sheet 7)

32-11-28

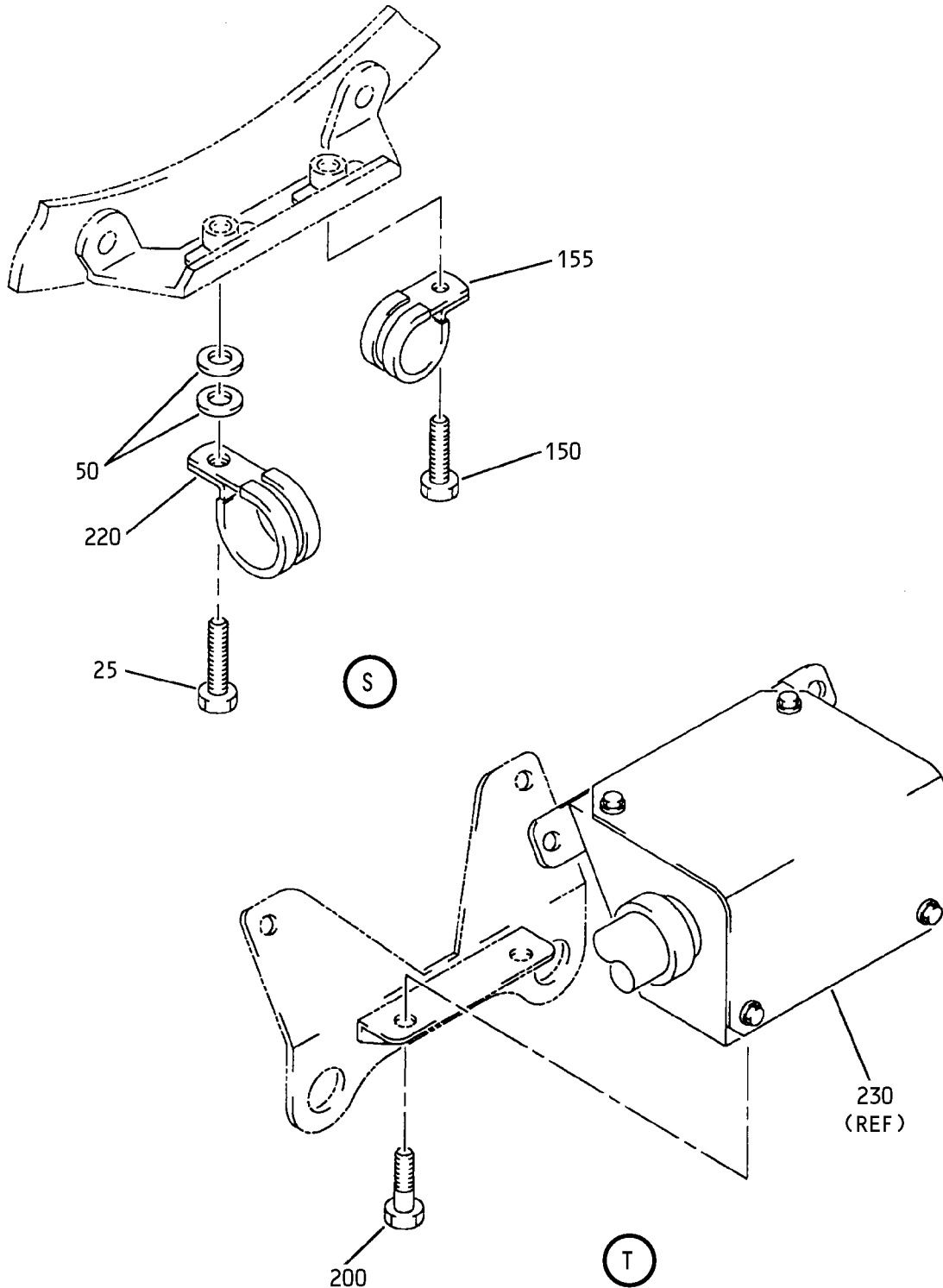
ILLUSTRATED PARTS LIST
 01.1 Page 1090X
 Jul 01/03



Wire Provision Installation
Figure 12 (Sheet 8)

32-11-28

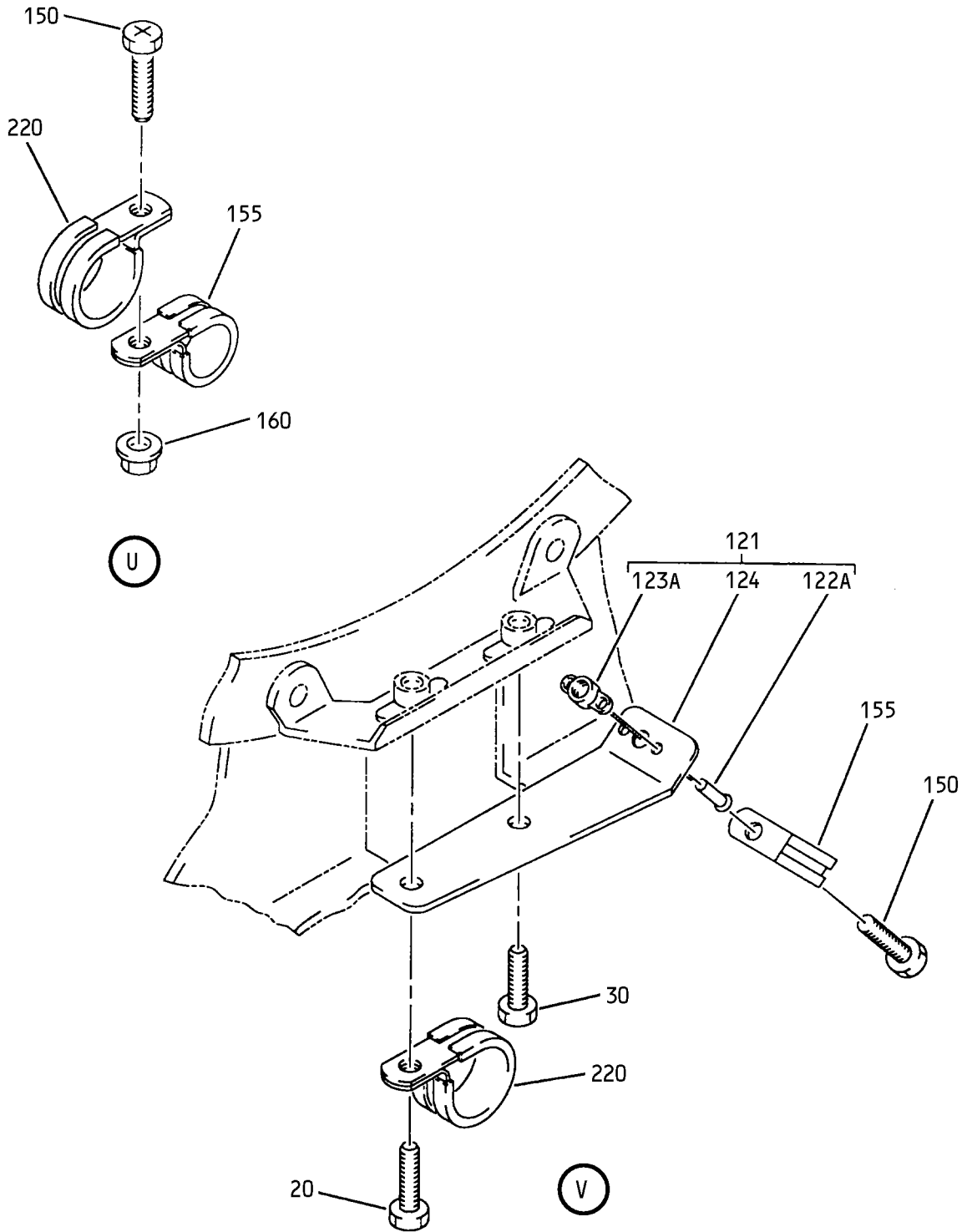
ILLUSTRATED PARTS LIST
01.1 Page 1090Y
Jul 01/03



Wire Provision Installation
Figure 12 (Sheet 9)

32-11-28

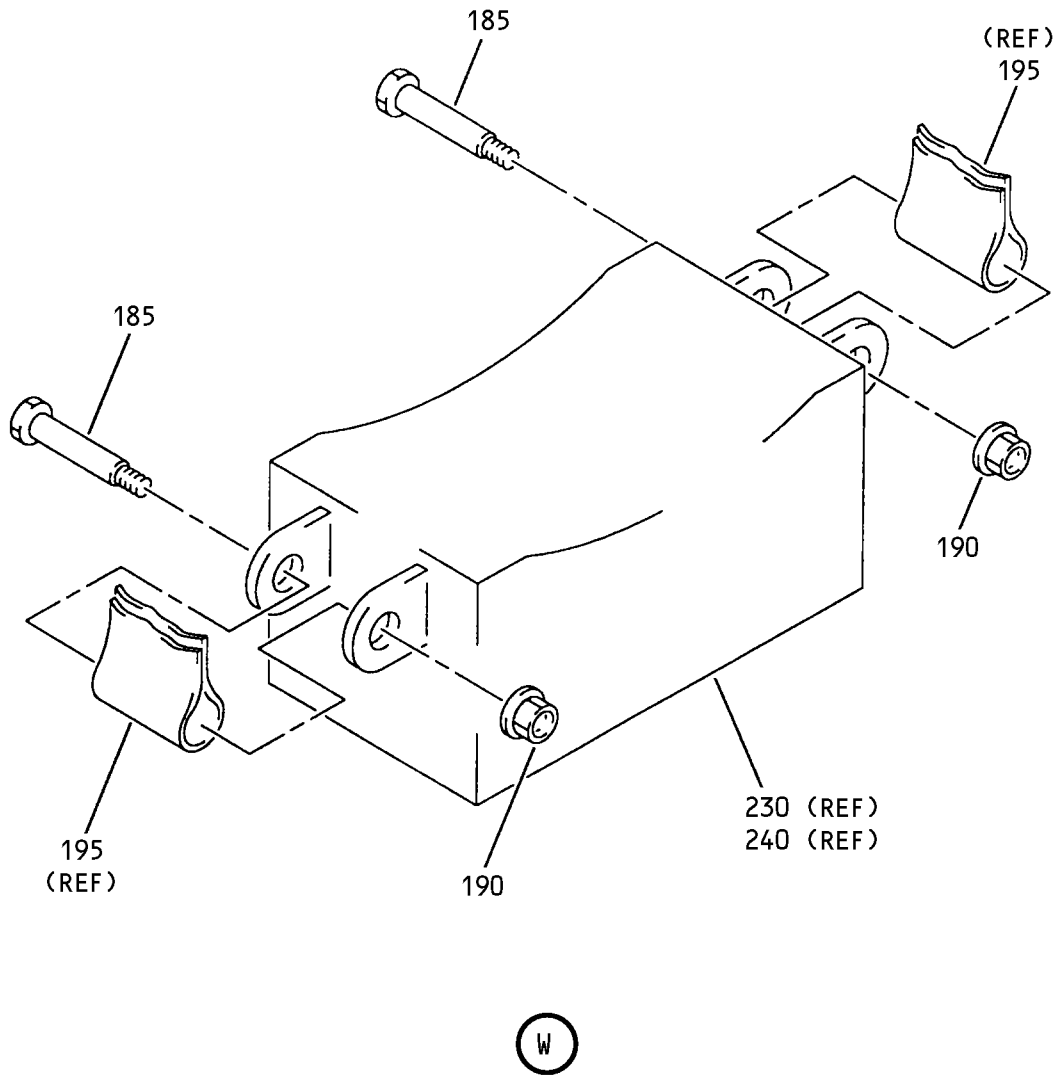
ILLUSTRATED PARTS LIST
01.1 Page 1090Z
Jul 01/03



Wire Provision Installation
Figure 12 (Sheet 10)

32-11-28

ILLUSTRATED PARTS LIST
01.1 Page 1091
Jul 01/03



Wire Provision Installation
Figure 12 (Sheet 11)

32-11-28

ILLUSTRATED PARTS LIST
01.1 Page 1092
Jul 01/03


BOEING
 COMPONENT
 MAINTENANCE MANUAL

FIG. & ITEM	PART NO.	AIRLINE PART NUMBER	NOMENCLATURE 1234567	EFF CODE	QTY PER ASSY
12- -1	287T6101-403		WIRE PROV INSTL-L MLG NO BRAKE TEMP, NO BRAKE FAN, NO TIRE PRESSURE IND (0.50 ID CONDUIT)	BJ	RF
-5	287T6101-404		WIRE PROV INSTL-R MLG NO BRAKE TEMP, NO BRAKE FAN, NO TIRE PRESSURE IND (0.50 ID CINDUIT)	BK	RF
-10	287T6101-101		.BASIC PACKAGE	BJ	1
-15	287T6101-102		.BASIC PACKAGE	BK	1
20	NAS1801-3-7		..SCREW	BJ,BK	9
25	NAS1801-3-8		..SCREW	BJ,BK	2
30	NAS1801-3-6		..SCREW	BJ,BK	3
35	NAS6603-3		..BOLT	BJ,BK	4
40	NAS6603-10		..BOLT	BJ,BK	1
45	NAS1801-3-10		..SCREW	BJ,BK	1
50	NAS1149D0363J		..WASHER	BJ,BK	8
55	NAS42DD6-28FC		..SPACER	BJ,BK	1
60	BACB19F10		..BLOCK	BJ,BK	4
65	BACC15AN10		..CLIP	BJ,BK	4
70	3140AB101E		..CLAMP- (V94581) (SPEC BACC10FY101SE) (OPT BC1083-101SE (V14242)) (OPT NE103338-101 (V8W928))	BJ,BK	1
75	MS21042L3		..NUT	BJ,BK	14
80	NAS6603-3		..BOLT	BJ,BK	4
85	BACB19F10		..BLOCK	BJ,BK	4
90	BACC15AN10		..CLIP	BJ,BK	4
95	MS21042L3		..NUT	BJ,BK	4
100	3140AB116E		..CLAMP- (V94581) (SPEC BACC10FY116SE) (OPT BC1083-116SE (V14242)) (OPT NE103338-116 (V8W928))	BJ,BK	2
105	NAS1801-3-8		..SCREW	BJ,BK	1
110	AN970-3		..WASHER	BJ,BK	1
115	NAS77-3-007		..BUSHING	BJ,BK	1
120	MS21042L3		..NUT	BJ,BK	1
121	287T6111-39		..BRACKET ASSY	BJ,BK	1
122	BRM200A3		DELETED		

32-11-28

ILLUSTRATED PARTS LIST

01.1 Page 1092A

Jul 01/03

FIG. & ITEM	PART NO.	AIRLINE PART NUMBER	NOMENCLATURE 1234567	EFF CODE	QTY PER ASSY
12-122A	BACR15BA3AD		...RIVET- (SIZE DETERMINE ON INST)	BJ,BK	2
123 123A	BACR15BA3AD BRM200A3		DELETED ...NUTPLATE- (V52828) (SPEC BACN10JP3A) (OPT MK1000-3BAC (V15653)) (OPT NS103197-02 (V80539)) (OPT RMA9201M3 (V72962)) (OPT VN202A1-02 (V92215)) (OPT T8076S1032 (V11815))	BJ,BK	1
124	287T6111-40		...BRACKET	BJ,BK	1
125	287T6111-22		..BRACKET	BJ,BK	1
130	NAS6604-77		..BOLT	BJ,BK	1
135	MS21042L4		..NUT	BJ,BK	1
140	287T6111-23		..FILLER	BJ,BK	2
145	287T6111-21		..BRACKET	BJ,BK	1
150	NAS1801-3-6		..SCREW	BJ,BK	5
155	JM44LC13WS7R		..CLAMP- (V22175) (SPEC BACC10GE7) (OPT S369WH7 (V18076)) (OPT TA12C32WS7 (V84971)) (OPT 509S7 (V83930))	BJ,BK	5
160	MS21042L3		..NUT	BJ,BK	2
165	NAS6603-64		..BOLT	BJ,BK	2
170	NAS42DD6-92FC		..SPACER	BJ,BK	2
175	MS21042L3		..NUT	BJ,BK	2
180	287T6111-15		..CHANNEL	BJ,BK	2
185	NAS6603-15		..BOLT	BJ,BK	4
190	MS2104L3		..NUT	BJ,BK	4
195	BCREF116069		..CLAMP- (V81205) (BACC10ET080-038E)	BJ,BK	2
200	NAS6703-3		..BOLT	BJ,BK	4
205	Y8412		..TAPE- (V26066)	BJ,BK	AR

32-11-28

ILLUSTRATED PARTS LIST

01.1 Page 1092B

Jul 01/03


BOEING
 COMPONENT
 MAINTENANCE MANUAL

FIG. & ITEM	PART NO.	AIRLINE PART NUMBER	NOMENCLATURE 1234567	EFF CODE	QTY PER ASSY
12-					
-210	287T6101-109		.OPTION PACKAGE	BJ	1
-215	287T6101-110		.OPTION PACKAGE	BK	1
220	JM44LC13WS10R		..CLAMP- (V22175) (SPEC BACC10GE10) (OPT S369WH10 (V18076)) (OPT TA12C32WS10 (V84971)) (OPT 509S10 (V83930))	BJ,BK	16
225	287T6116-6		..BLOCK-CLAMP	BJ,BK	4
230	287T6104-301		.HARNESS ASSY-L GEAR FWD TRUCK (REF CMM 32-10-51)	BJ	1
-235	287T6104-302		.HARNESS ASSY-R GEAR FWD TRUCK (REF CMM 32-10-51)	BK	1
240	287T6104-303		.HARNESS ASSY-L GEAR L GEAR AFT TRUCK (REF CMM 32-10-51)	BJ	1
-245	287T6104-304		.HARNESS ASSY-R GEAR AFT TRUCK (REF CMM 32-10-51)	BK	1
250	BACN10WW6C		DELETED		
255	287T6111-31		DELETED		
260	BACN10WW6C		DELETED		
265	287T3111-31		DELETED		
265A	287T6111-31		DELETED		
270	287T6104-106		DELETED		
-270A	287T6104-107		DELETED		
-272	287T6104-107		DELETED		
275	254871-0225		DELETED		
-275A	254871-0226		DELETED		
-277	254871-0226		DELETED		
280	8-345-03		DELETED		
-280A	8-345-01		DELETED		
285	S287T001-219		DELETED		
-285A	S287T001-205		DELETED		
290	287T6104-104		DELETED		
-295	S287T001-219		DELETED		
-295A	S287T001-205		DELETED		
300	254871-0218		DELETED		
-300A	S287T001-204		DELETED		
305	287T6112-5		DELETED		

32-11-28

 ILLUSTRATED PARTS LIST
 01.1 Page 1092C
 Jul 01/03

FIG. & ITEM	PART NO.	AIRLINE PART NUMBER	NOMENCLATURE 1234567	EFF CODE	QTY PER ASSY
12-					
310	BACN10WW10C		DELETED		
315	BACF32H10C		DELETED		
320	287T6112-6		DELETED		
325	287T6104-18		DELETED		
330	TFE2X		DELETED		
335	287T6104-42		DELETED		
340	287T6104-43		DELETED		
345	287T6104-44		DELETED		
350	287T6108-17		DELETED		
355	NAS514P1032-6P		DELETED		
360	MS20615-3M4		DELETED		
365	MF6001-3		DELETED		
370	287T6108-30		DELETED		
375	287T6108-31		DELETED		
-375A	287T6108-11		DELETED		
-375B	287T6108-21		DELETED		
380	287T6108-25		DELETED		
-380A	287T6108-10		DELETED		
385	NAS6603-3		DELETED		
390	AN960C10L		DELETED		
390A	NAS1149C0332R		DELETED		
395	F22K1-02		DELETED		
400	287T6133-1		DELETED		
405	287T6106-11		DELETED		
410	NAS6703-3		DELETED		
415	AN960C10		DELETED		
-420	MS20427M4		DELETED		
-420A	BACR15CE4M		DELETED		
425	287T6116-10		DELETED		
430	287T6106-14		DELETED		

32-11-28

 ILLUSTRATED PARTS LIST
 01.1 Page 1092D
 Jul 01/03


BOEING
 COMPONENT
 MAINTENANCE MANUAL

FIG. & ITEM	PART NO.	AIRLINE PART NUMBER	NOMENCLATURE 1234567	EFF CODE	QTY PER ASSY
12-					
-430A	287T6106-9		DELETED		
435	287T6132-1		DELETED		
-435A	287T6106-13		DELETED		
-437	287T6106-13		DELETED		
440	MS21209F1-20		DELETED		
445	MS20427M3		DELETED		
450	T8102C3CK		DELETED		
455	MS20427M3		DELETED		
-460A	T8102C3CK		DELETED		
-462	T8102C3CK		DELETED		
465	287T6132-2		DELETED		
-465A	287T6106-2		DELETED		
-467	287T6106-2		DELETED		

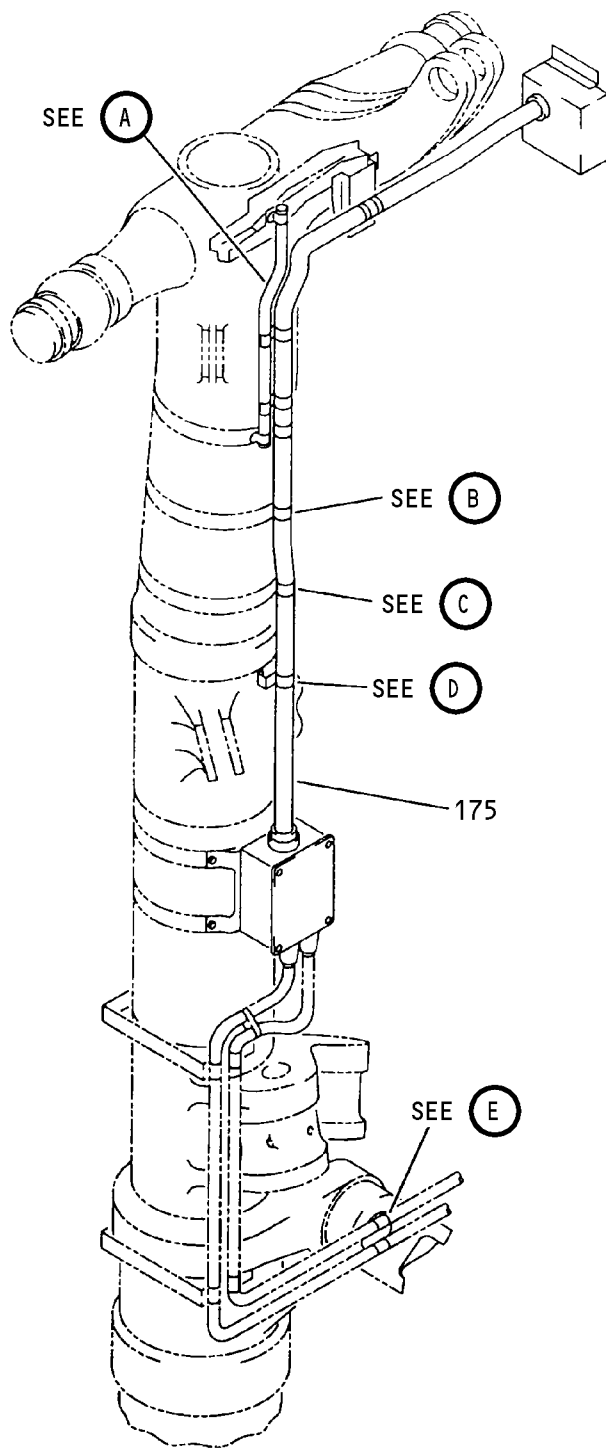
- Item Not Illustrated

32-11-28

ILLUSTRATED PARTS LIST

01.1 Page 1092E

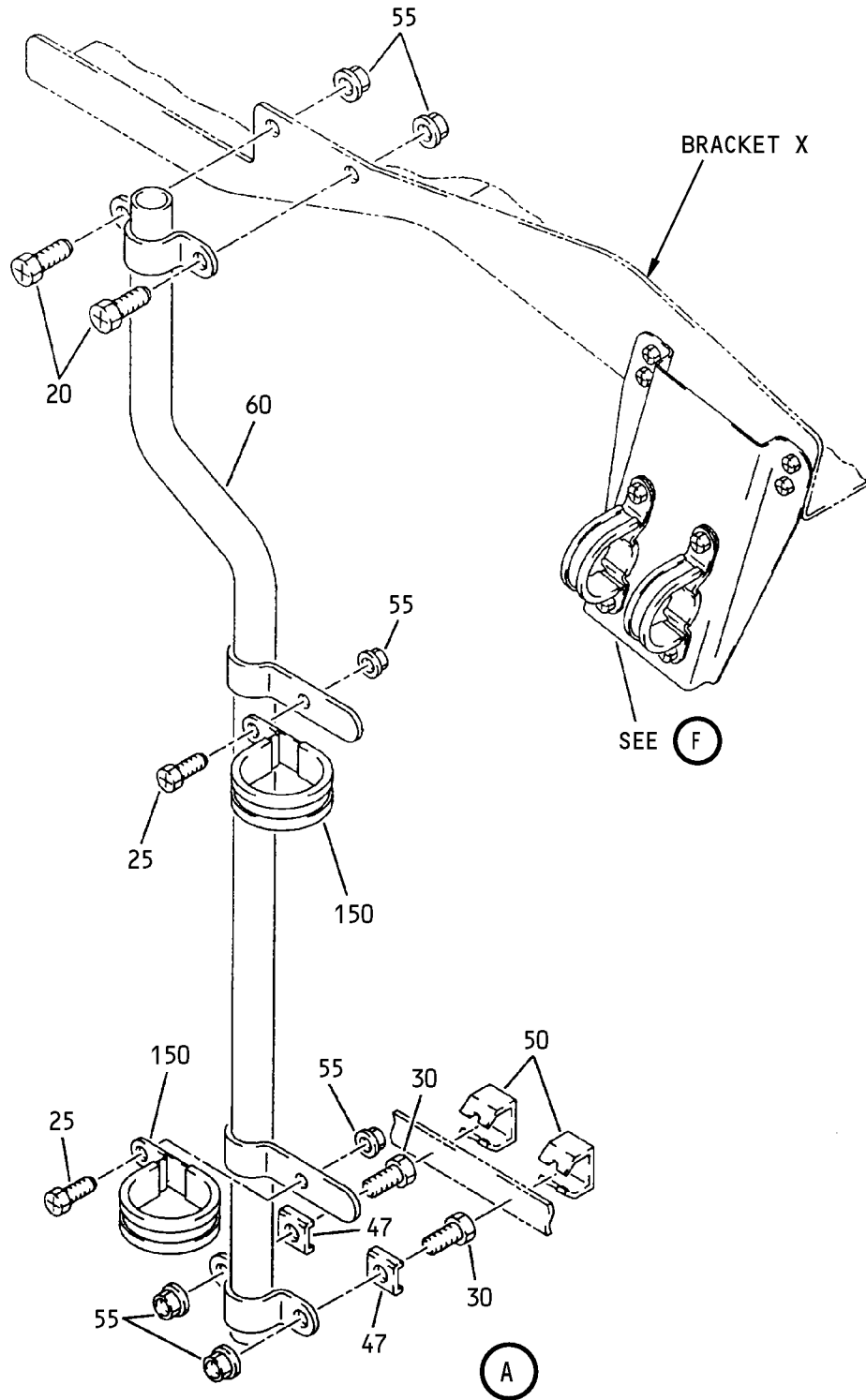
Jul 01/03



Wire Provision Installation
Figure 13 (Sheet 1)

32-11-28

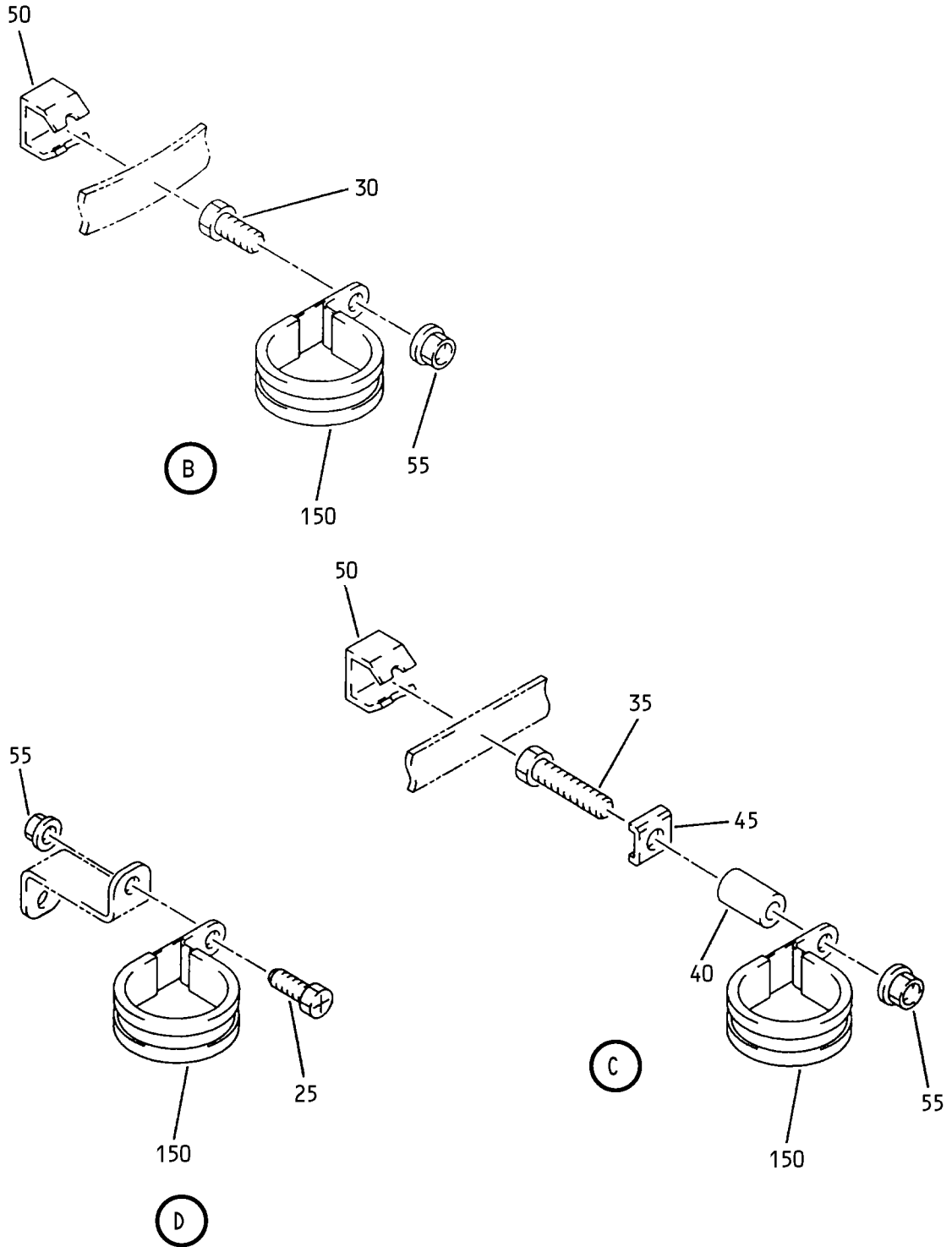
ILLUSTRATED PARTS LIST
01.1 Page 1092F
Jul 01/03



Wire Provision Installation
Figure 13 (Sheet 2)

32-11-28

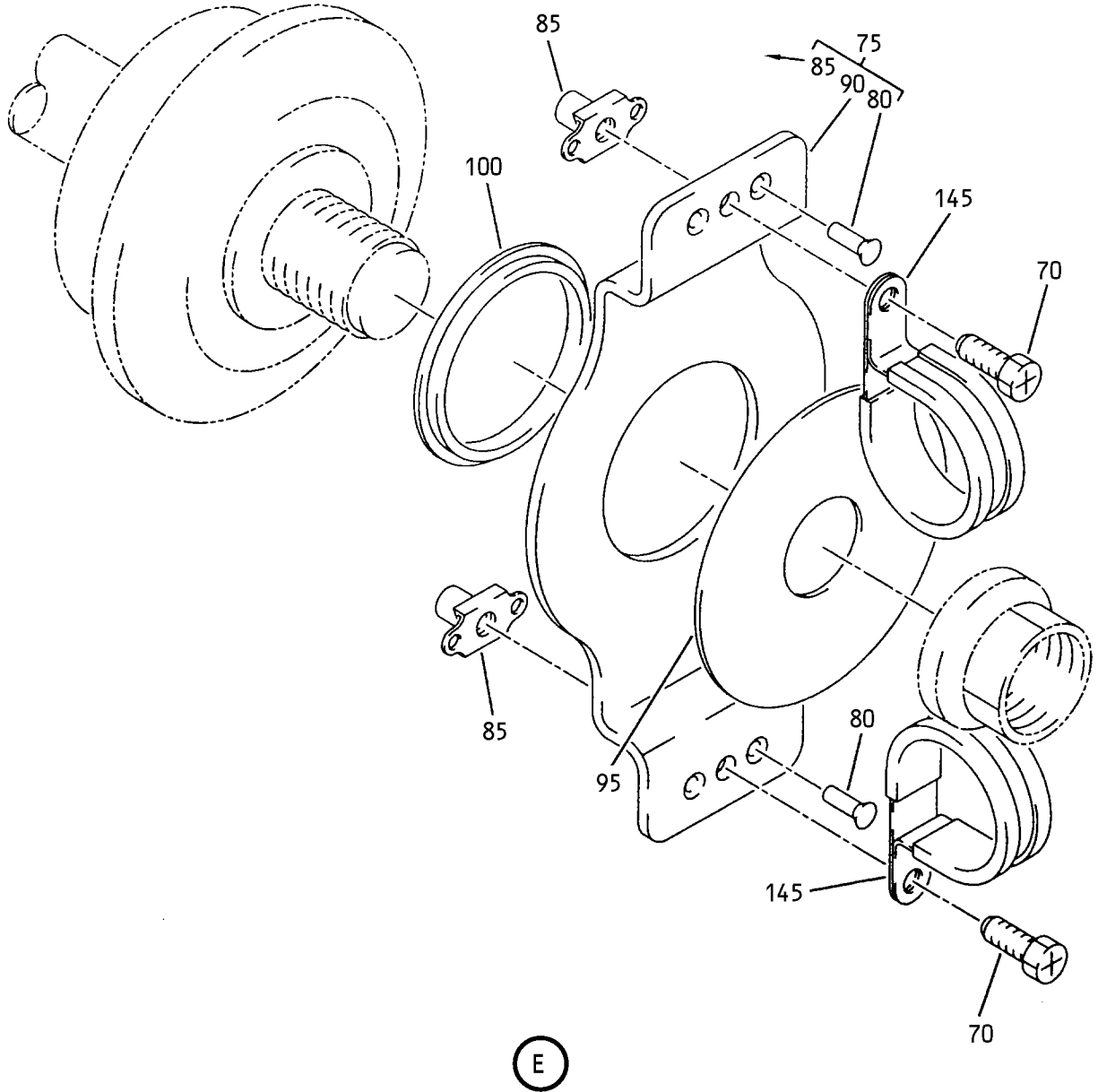
ILLUSTRATED PARTS LIST
01.1 Page 1092G
Jul 01/03



Wire Provision Installation
 Figure 13 (Sheet 3)

32-11-28

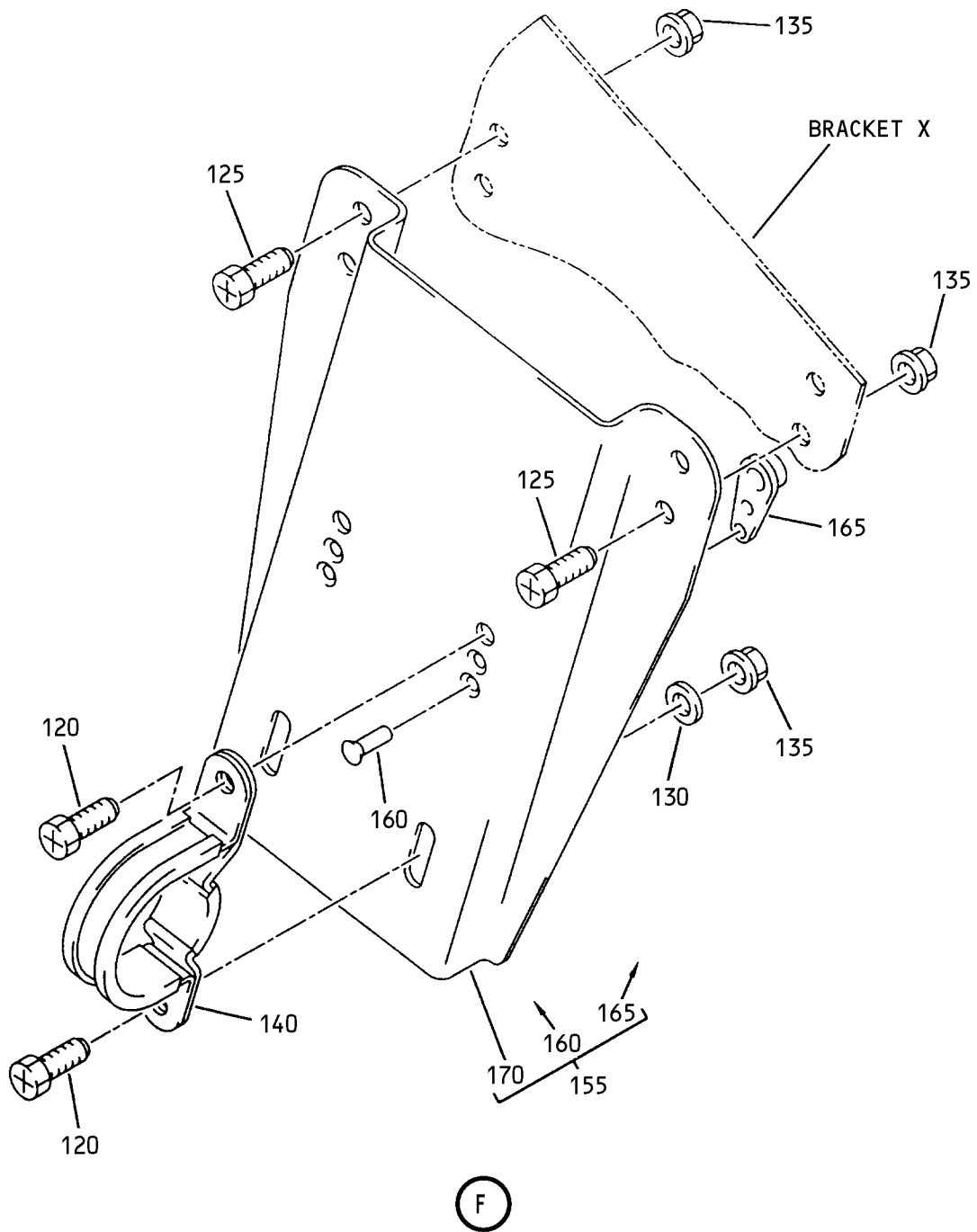
ILLUSTRATED PARTS LIST
 01.1 Page 1092H
 Jul 01/03



Wire Provision Installation
Figure 13 (Sheet 4)

32-11-28

ILLUSTRATED PARTS LIST
01.1 Page 1092I
Jul 01/03



Wire Provision Installation
Figure 13 (Sheet 5)

32-11-28

ILLUSTRATED PARTS LIST
01.1 Page 1092J
Jul 01/03


BOEING
 COMPONENT
 MAINTENANCE MANUAL

FIG. & ITEM	PART NO.	AIRLINE PART NUMBER	NOMENCLATURE 1234567	EFF CODE	QTY PER ASSY
13- -1	287T6101-415		WIRE PROV INSTL-L MLG WITH BRAKE TEMP AND TIRE PRESSURE IND, NO BRAKE FAN (0.62 ID CONDUIT) 287T6101 PL CK	BL	RF
-5	287T6101-416		WIRE PROV INSTL-R MLG WITH BRAKE TEMP AND TIRE PRESSURE IND, NO BRAKE FAN (0.62 ID CINDUIT)	BM	RF
-10	287T6101-103		.BASIC PACKAGE	BL	1
-15	287T6101-104		.BASIC PACKAGE	BM	1
20	NAS1801-3-8		..SCREW	BL,BM	2
25	NAS1801-3-6		..SCREW	BL,BM	3
30	NAS6603-3		..BOLT	BL,BM	3
35	NAS6603-10		..BOLT	BL,BM	1
40	NAS42DD6-28FC		..SPACER	BL,BM	1
45	BACB19F10		..BLOCK	BL,BM	1
47	BACB15F10		..BLOCK	BL,BM	2
50	BACC15AN10		..CLIP	BL,BM	4
55	MS21042L3		..NUT	BL,BM	9
60	287T6114-7		..TUBE ASSY	BL	1
-65	287T6114-8		..TUBE ASSY	BM	1
70	NAS1801-3-7		..SCREW	BL,BM	2
75	287T6109-1		..BRACKET ASSY-CLAMP	BL,BM	1
80	BACR15BA3AD		...RIVET- (SIZE DETERMINE ON INST)	BL,BM	4
85	T8097S1032K		...NUTPLATE- (V11815) (SPEC BACN10KA3A) (OPT NS103226-02 (V80539))	BL,BM	2

32-11-28

 ILLUSTRATED PARTS LIST
 01.1 Page 1092K
 Jul 01/03

**COMPONENT
MAINTENANCE MANUAL**

FIG. & ITEM	PART NO.	AIRLINE PART NUMBER	NOMENCLATURE 1234567	EFF CODE	QTY PER ASSY
13-					
90	287T6109-2		...BRACKET	BL,BM	1
95	AN960-8		..WASHER	BL,BM	1
100	NAS77A16-010P		..BUSHING	BL,BM	1
-105	Y8412		..TAPE- (V26066)	BL,BM	AR
-110	287T6101-107		.OPTION PACKAGE	BL	1
-115	287T6101-108		.OPTION PACKAGE	BM	1
120	NAS1801-3-7		..SCREW	BL,BM	4
125	NAS1801-3-8		..SCREW	BL,BM	4
130	NAS1149D0332J		..WASHER	BL,BM	2
135	MS21042L3		..NUT	BL,BM	6
140	470S25HT		..CLAMP- (V83930) (SPEC BACC10DM25) (OPT 8068XSC25 (V72285)) (OPT S305H25 (V18076))	BL,BM	2
145	JM44LC13WS12R		..CLAMP- (V22175) (SPEC BACC10GE12) (OPT S369WH12 (V18076)) (OPT TA12C32WS12 (V84971)) (OPT 509S12 (V83930))	BL,BM	2
150	JM44LC13WS25R		..CLAMP- (V22175) (SPEC BACC10GE25) (OPT S369WH25 (V18076)) (OPT TA12C32WS25 (V84971)) (OPT 509S25 (V83930))	BL,BM	5

32-11-28

ILLUSTRATED PARTS LIST

01.1 Page 1092L

Jul 01/03


BOEING
 COMPONENT
 MAINTENANCE MANUAL

FIG. & ITEM	PART NO.	AIRLINE PART NUMBER	NOMENCLATURE 1234567	EFF CODE	QTY PER ASSY
13-					
155	287T6111-71		..BRACKET ASSY	BL,BM	1
160	BACR15BA3AD		...RIVET- (SIZE DETERMINE ON INST)	BL,BM	4
165	BRM100A3		...NUTPLATE- (V52828) (SPEC BACN10JP3B) (OPT MK2000-3BAC (V15653)) (OPT NS103198-02 (V80539)) (OPT RMA9207-3 (V72962)) (OPT VN201A1-02 (V92215)) (OPT T8077S1032 (V11815)) (OPT ITEM 165A)	BL,BM	2
-165A	BR1000A3		...NUTPLATE- (V52828) (SPEC BACN10KB3) (OPT NS103184-02 (V80539)) (OPT RMA9207-3 (V72962)) (OPT T8109S1032 (V11815)) (OPT VN101A1-02 (V92215)) (OPT K2000-3 (V15653)) (OPT ITEM 165)	BL,BM	2
170	287T6111-42		...BRACKET	BL,BM	1
175	287T6104-319		.HARNESS ASSY-L GEAR REAR SPAR TO OLEO (REF CMM 32-10-52)	BL	1
-180	287T6104-320		.HARNESS ASSY-R GEAR REAR SPAR TO OLEO (REF CMM 32-10-52)	BM	1

32-11-28

ILLUSTRATED PARTS LIST

01.1 Page 1092M

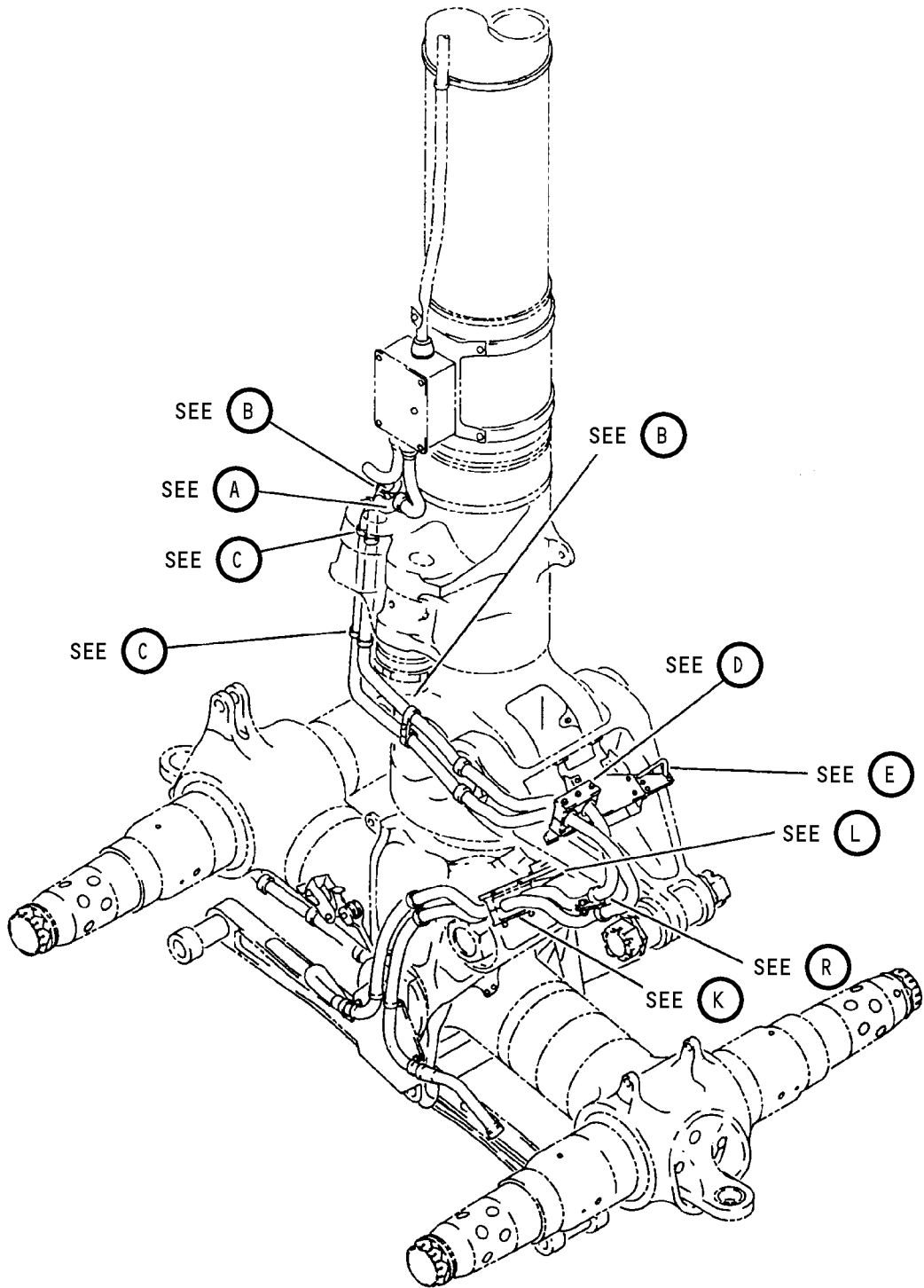
Jul 01/03

FIG. & ITEM	PART NO.	AIRLINE PART NUMBER	NOMENCLATURE 1234567	EFF CODE	QTY PER ASSY
13-					
185	NAS1801-3-6		DELETED		
190	NAS1149D0363J		DELETED		
195	287T6105-4		DELETED		
200	NAS1801-04-7		DELETED		
200A	NAS1802-04-7		DELETED		
205	NAS1149CN416R		DELETED		
210	BRH1110C04M		DELETED		
215	NAS1802-06-6		DELETED		
220	NAS1149CN616R		DELETED		
225	BACN10JC06CM		DELETED		
230	6-2S20KC		DELETED		
235	28-12S20KC		DELETED		
240	287T6107-29		DELETED		
-245	287T6107-30		DELETED		
250	MS20427M3		DELETED		
-250A	BACR15DR3A		DELETED		
255	AN960XC10L		DELETED		
260	T8100C1032CK1		DELETED		
265	287T6107-10		DELETED		
270	BACR15BB4AD		DELETED		
275	WSI4A4		DELETED		
280	287T6107-31		DELETED		
-285	287T6107-32		DELETED		
290	NAS1801-3-7		DELETED		
295	NAS1149C0332B		DELETED		
300	NAS1801-3-20		DELETED		
305	NAS42DD6-52		DELETED		
310	JM44LC13WS9R		DELETED		
315	287T6107-27		DELETED		
-320	287T6107-28		DELETED		
325	287T6105-7		DELETED		
330	BACR15BB6D		DELETED		
335	AN960PD10		DELETED		
340	287T6111-9		DELETED		
345	BACR15BB3A		DELETED		
350	287T6119-2		DELETED		
355	BACR15BB3A		DELETED		
360	MF6000-3		DELETED		
365	287T6105-8		DELETED		
370	254871-0213		DELETED		

- Item Not Illustrated

32-11-28

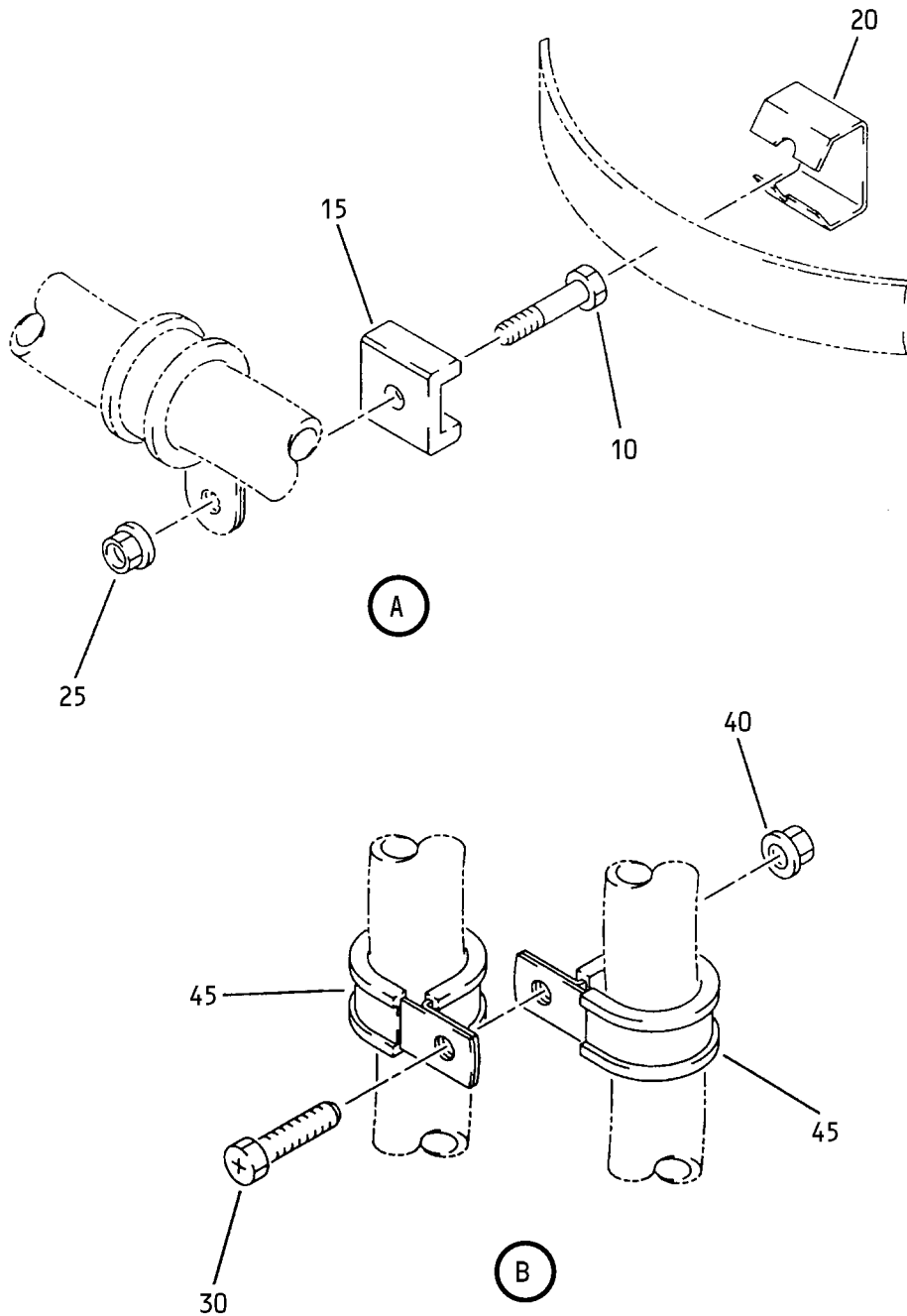
ILLUSTRATED PARTS LIST
 01.1 Page 1092N
 Jul 01/03



Wire Provision Installation
Figure 14 (Sheet 1)

32-11-28

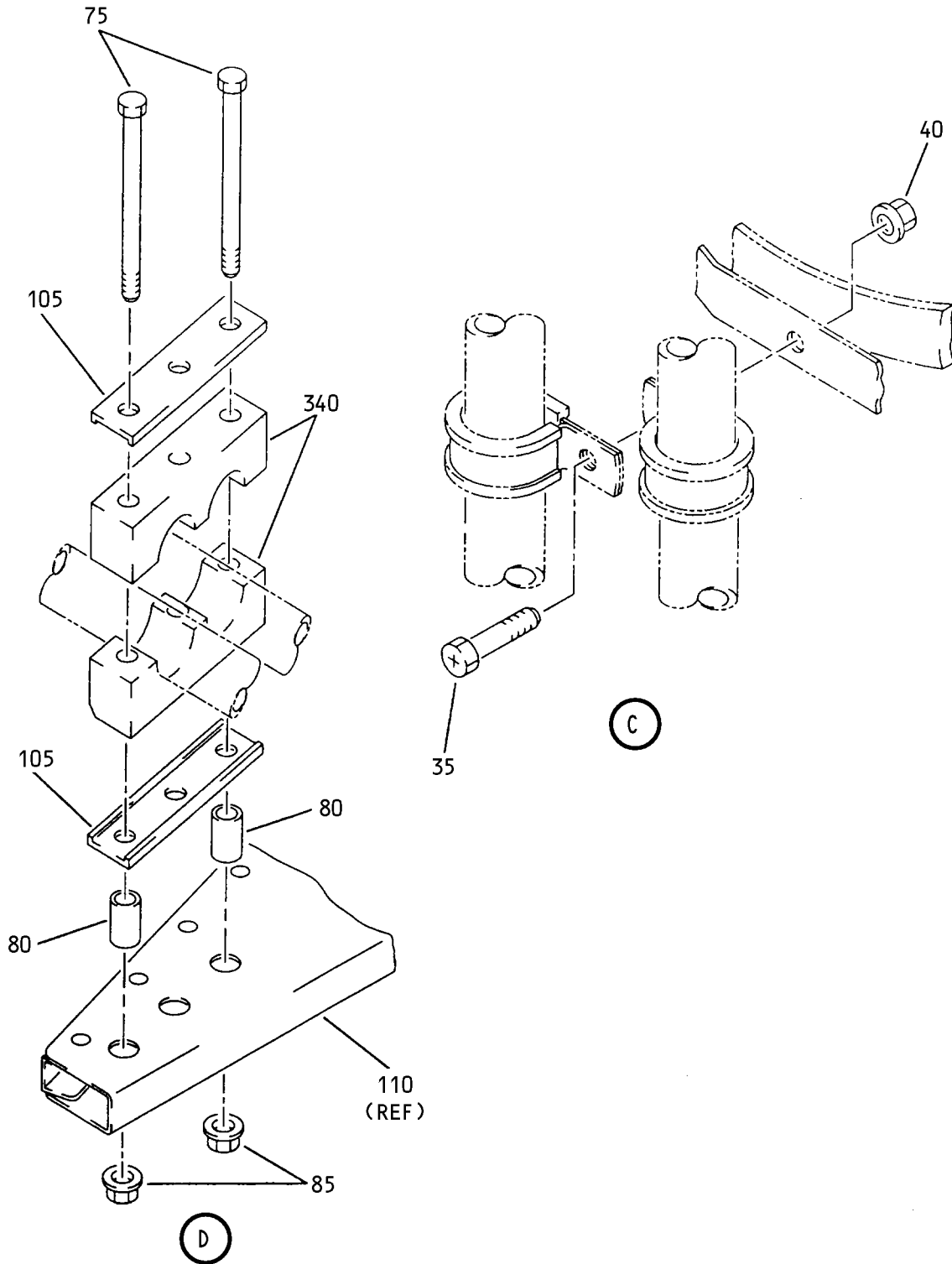
ILLUSTRATED PARTS LIST
01.1 Page 10920
Jul 01/03



Wire Provision Installation
Figure 14 (Sheet 2)

32-11-28

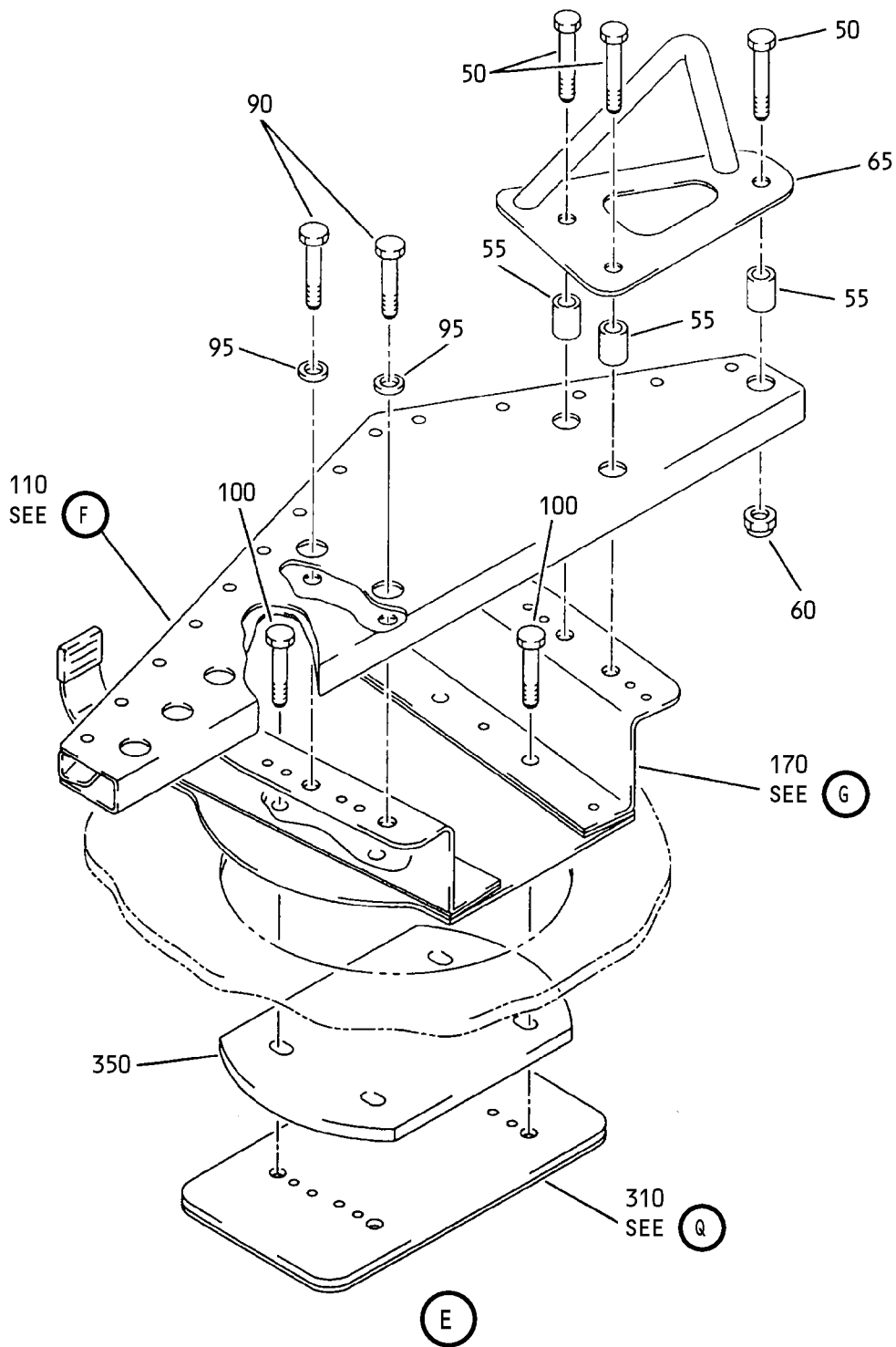
ILLUSTRATED PARTS LIST
01.1 Page 1092P
Jul 01/03



Wire Provision Installation
Figure 14 (Sheet 3)

32-11-28

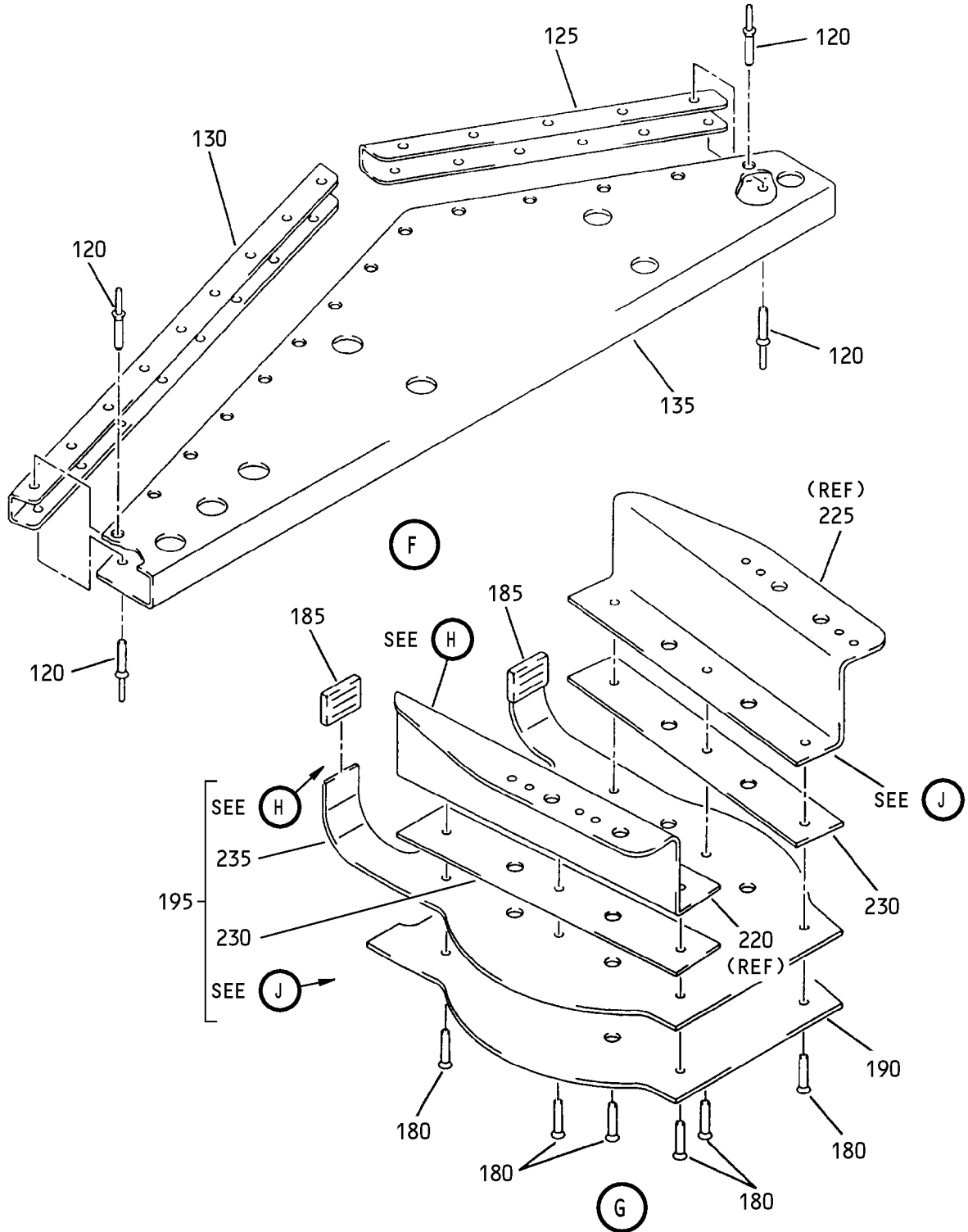
ILLUSTRATED PARTS LIST
01.1 Page 1092Q
Jul 01/03



Wire Provision Installation
Figure 14 (Sheet 4)

32-11-28

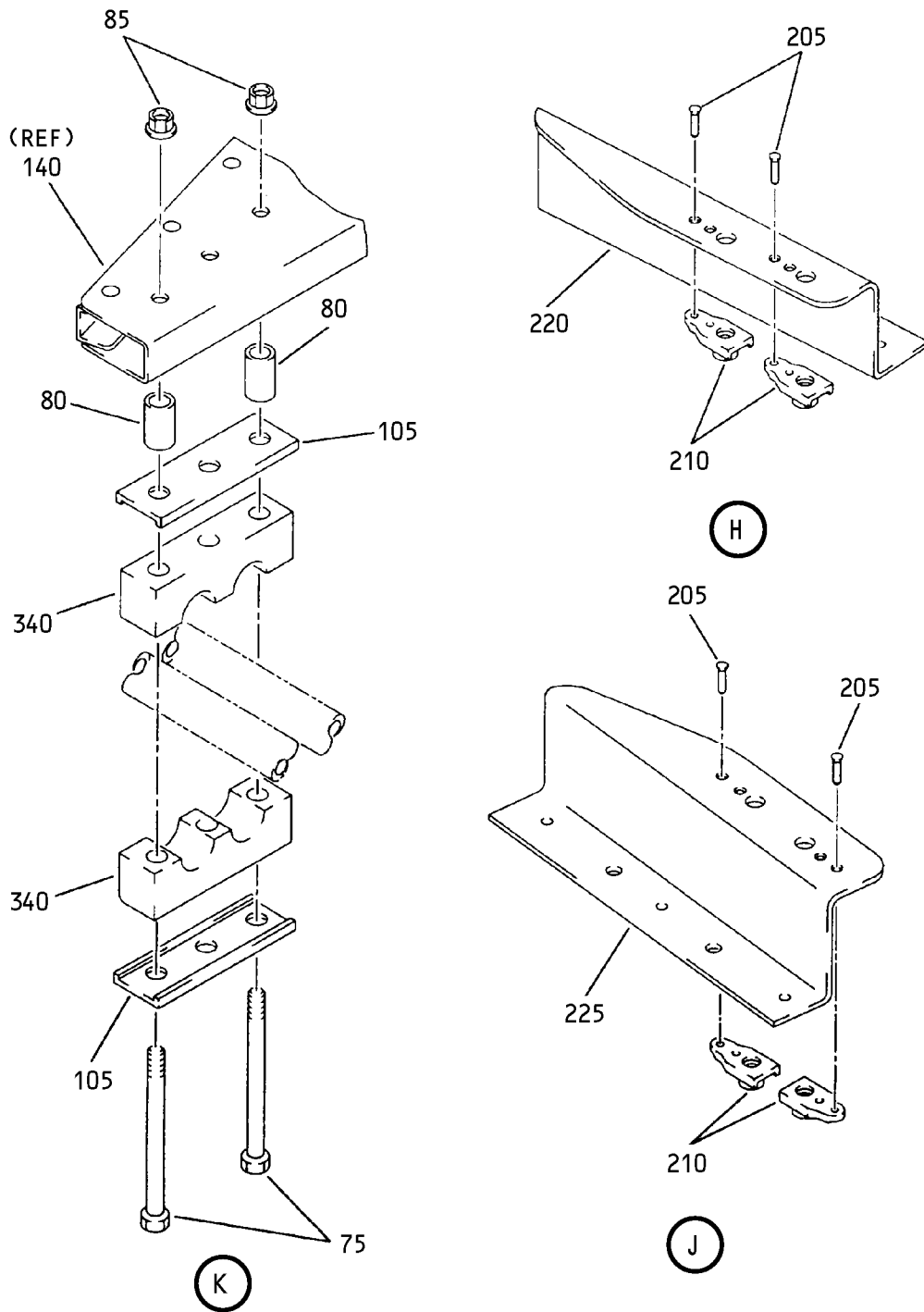
ILLUSTRATED PARTS LIST
01.1 Page 1092R
Jul 01/03



Wire Provision Installation
Figure 14 (Sheet 5)

32-11-28

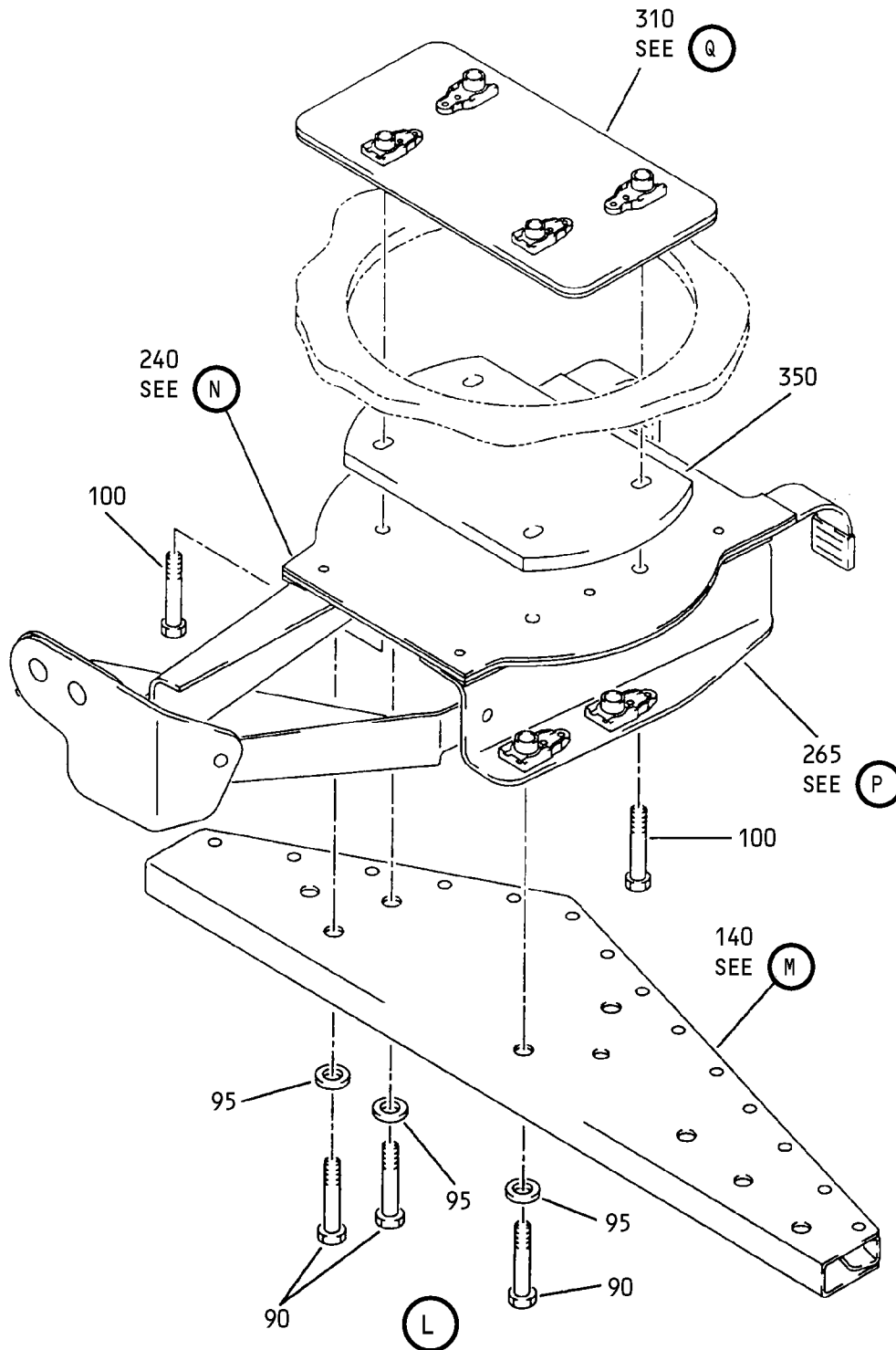
ILLUSTRATED PARTS LIST
01.1 Page 1092S
Jul 01/03



Wire Provision Installation
 Figure 14 (Sheet 6)

32-11-28

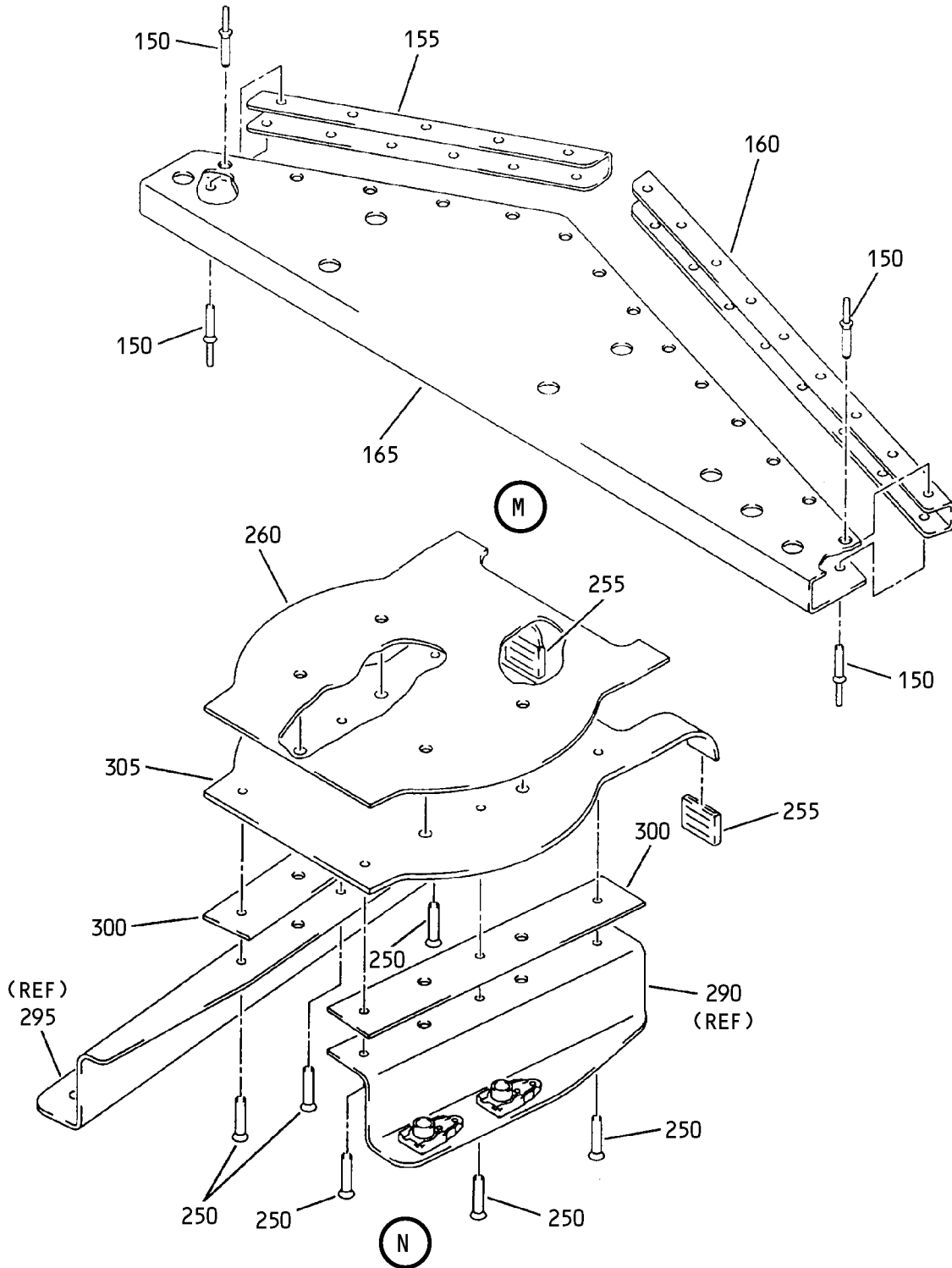
ILLUSTRATED PARTS LIST
 01.1 Page 1092T
 Jul 01/03



Wire Provision Installation
Figure 14 (Sheet 7)

32-11-28

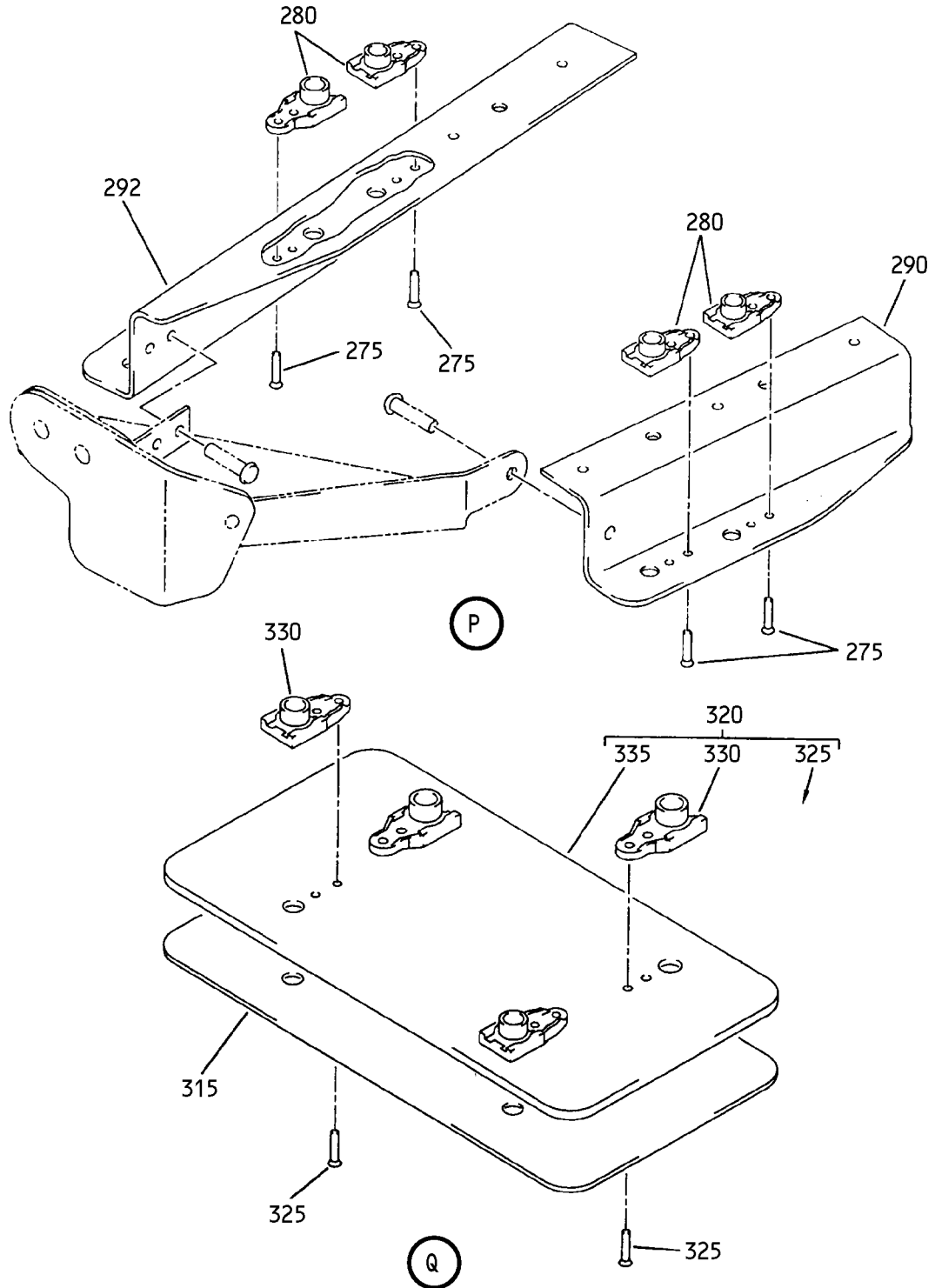
ILLUSTRATED PARTS LIST
01.1 Page 1092U
Jul 01/03



Wire Provision Installation
Figure 14 (Sheet 8)

32-11-28

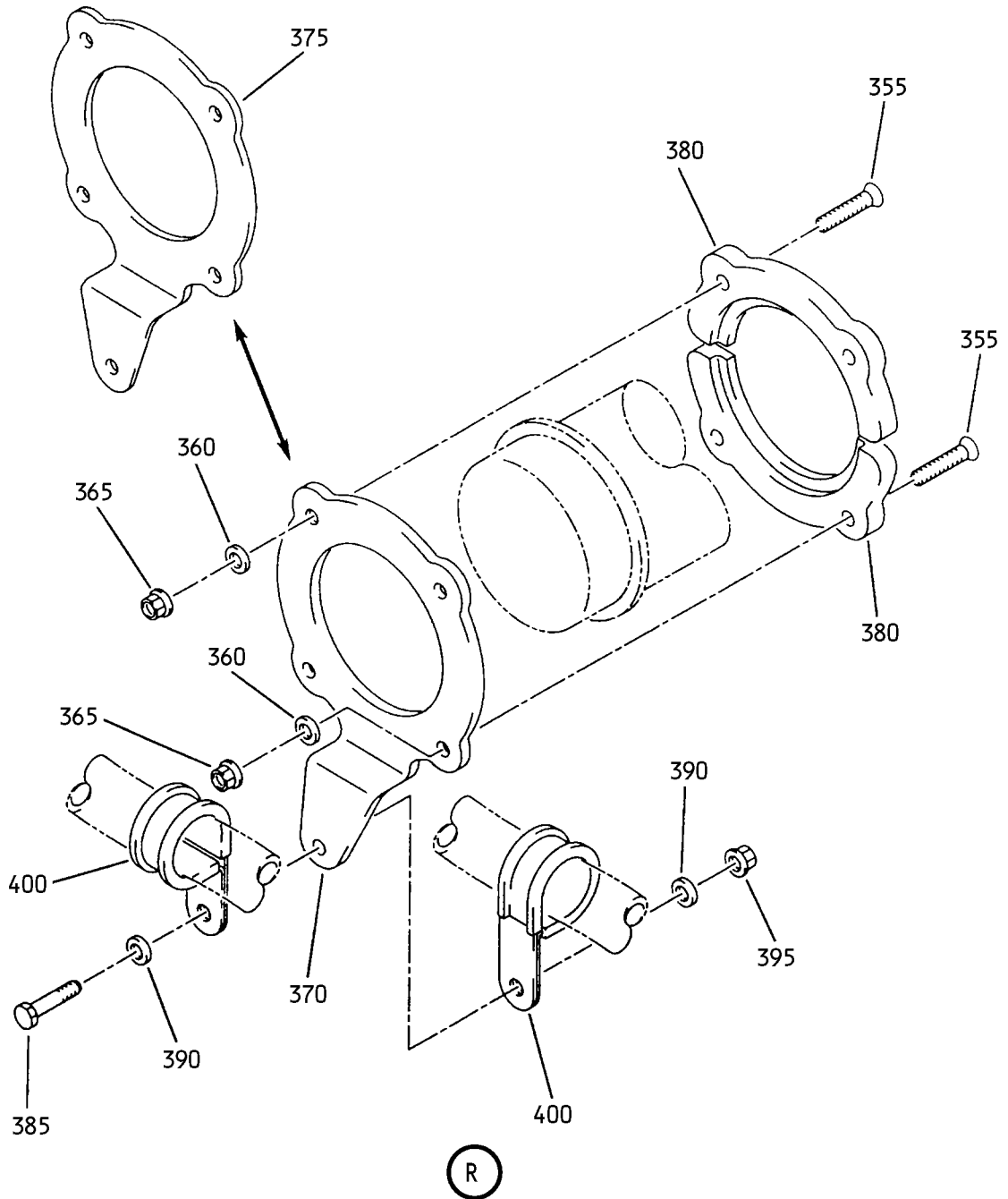
ILLUSTRATED PARTS LIST
01.1 Page 1092V
Jul 01/03



Wire Provision Installation
Figure 14 (Sheet 9)

32-11-28

ILLUSTRATED PARTS LIST
01.1 Page 1092W
Jul 01/03



Wire Provision Installation
Figure 14 (Sheet 10)

32-11-28

ILLUSTRATED PARTS LIST
01.1 Page 1092X
Jul 01/03


BOEING
 COMPONENT
 MAINTENANCE MANUAL

FIG. & ITEM	PART NO.	AIRLINE PART NUMBER	NOMENCLATURE 1234567	EFF CODE	QTY PER ASSY
14- -1	287T6101-445		WIRE PROV INSTL-L MLG TORSION LINK (335K-350K GROSS WT) (0.62 ID CONDUIT)	AB	RF
-1A	287T6101-447		WIRE PROV INSTL-L MLG TORSION LINK (335K-350K GROSS WT) (0.50 ID CONDUIT)	AD	RF
-1B	287T6101-449		WIRE PROV INSTL-L MLG TORSION LINK (380K-400K GROSS WT) (0.62 ID CONDUIT)	AF	RF
-1C	287T6101-451		WIRE PROV INSTL-L MLG TORSION LINK (380K-400K GROSS WT) (0.50 ID CONDUIT)	AH	RF
-5	287T6101-446		WIRE PROV INSTL-R MLG TORSION LINK (335K-350K GROSS WT) (0.62 ID CONDUIT)	AC	RF
-5A	287T6101-448		WIRE PROV INSTL-R MLG TORSION LINK (335K-350K GROSS WT) (0.50 ID CONDUIT)	AE	RF
-5B	287T6101-450		WIRE PROV INSTL-R MLG TORSION LINK (380K-400K GROSS WT) (0.62 ID CONDUIT)	AG	RF
-5C	287T6101-452		WIRE PROV INSTL-L MLG TORSION LINK (380K-400K GROSS WT) (0.50 ID CONDUIT)	AJ	RF
-5D	287T6101-472		WIRE PROV INSTL-L MLG TORSION LINK (380K-400K GROSS WT) (0.50 ID CONDUIT FWD TRUCK, 0.62 ID CONDUIT AFT TRUCK)	AK	RF
10	NAS6603-3		.BOLT	AB-AK	1
15	BACB19F10		.BLOCK	AB-AK	1
20	BACC15AN10		.CLIP	AB-AK	1
25	MS21042L3		.NUT	AB-AK	1
30	NAS1801-3-6		.SCREW	AB-AK	2
35	NAS1801-3-7		.SCREW	AB-AK	2
40	MS21042L3		.NUT	AB-AK	4

32-11-28

ILLUSTRATED PARTS LIST

01.1 Page 1092Y

Jul 01/03

FIG. & ITEM	PART NO.	AIRLINE PART NUMBER	NOMENCLATURE 1234567	EFF CODE	QTY PER ASSY
14-45	JM44LC13WS12R		.CLAMP- (V22175) (SPEC BACC10GE12) (OPT S369WH12 (V18076)) (OPT TA12C32WS12 (V84971)) (OPT 509S12 (V83930))	AB,AC ,AF,A G	4
-45A	JM44LC13WS10R		.CLAMP- (V22175) (SPEC BACC10GE10) (OPT S369WH10 (V18076)) (OPT TA12C32WS10 (V84971)) (OPT 509S10 (V83930))	AD,AE ,AH-A K	4
50	NAS6604-10		.BOLT	AB-AK	3
55	NAS44DD8-36FC		.SPACER	AB-AK	3
60	BRH10C4D		.NUT- (V52828) (SPEC BACN10JC4CD) (OPT T6C428JCD (V11815)) (OPT NS202486-048 (V80539)) (OPT 102LH9075-4W (V72962)) (OPT H51650-4BAC (V15653))	AB-AK	1
65	272T0174-1		.BRACKET ASSY	AB,AD ,AF,A H	1
-70	272T0174-2		.BRACKET ASSY	AC,AE ,AG-A K	1
75	NAS6603-35		.BOLT	AB-AK	6
80	NAS42DD6-36FC		.SPACER	AB-AK	6
85	MS21042L3		.NUT	AB-AK	6
90	NAS6604-3		.BOLT	AB-AK	5
95	NAS1149D0463J		.WASHER	AB-AK	5

32-11-28

ILLUSTRATED PARTS LIST

01.1 Page 1092Z

Jul 01/03


BOEING
 COMPONENT
 MAINTENANCE MANUAL

FIG. & ITEM	PART NO.	AIRLINE PART NUMBER	NOMENCLATURE 1234567	EFF CODE	QTY PER ASSY
14-					
100	NAS6604-9		.BOLT	AB-AK	8
105	287T6111-10		.CHANNEL	AB-AK	4
110	287T6111-59		.BRACKET ASSY	AB,AD ,AF,A H	1
-115	287T6111-60		.BRACKET ASSY- (OPT ITEM 115A)	AC,AE ,AG,A J,AK	1
-115A	287T6111-90		.BRACKET ASSY- (OPT ITEM 115)	AC,AE ,AG,A J,AK	1
120	NAS1399D4A2		..RIVET	AB-AK	28
125	287T6111-64		..CHANNEL	AB-AK	1
130	287T6111-65		..CHANNEL	AB-AK	1
135	287T6111-63		..BRACKET	AB-AK	1
140	287T6111-61		.BRACKET ASSY	AB,AD ,AF,A H	1
-145	287T6111-62		.BRACKET ASSY- (OPT ITEM 145A)	AC,AE ,AG,A J,AK	1
-145A	287T6111-92		.BRACKET ASSY- (OPT ITEM 145)	AC,AE ,AG,A J,AK	1
150	NAS1399D4A2		..RIVET	AB-AK	28
155	287T6111-64		..CHANNEL	AB-AK	1
160	287T6111-65		..CHANNEL	AB-AK	1
165	287T6111-63		..BRACKET	AB-AK	1
170	287T6111-45		.BRACKET ASSY-SPRT	AB,AD ,AF,A H	1
-175	287T6111-46		.BRACKET ASSY-SPRT	AC,AE ,AG,A J,AK	1
180	BACR15BA5AD		..RIVET- (SIZE DETERMINE ON INST)	AB-AK	6
185	287T6111-66		..SLEEVE	AB-AK	2
190	287T6125-1		..PROTECTOR	AB-AK	1
195	287T6111-49		..BRACKET ASSY	AB,AD ,AF,A H	1

32-11-28

ILLUSTRATED PARTS LIST

01.1

Page 1093

Jul 01/03

FIG. & ITEM	PART NO.	AIRLINE PART NUMBER	NOMENCLATURE 1234567	EFF CODE	QTY PER ASSY
14- -200	287T6111-50		..BRACKET ASSY	AC,AE ,AG,A J,AK	1
205	BACR15BA3AD		...RIVET- (SIZE DETERMINE ON INST)	AB-AK	8
210	F177-4		...NUTPLATE- (V72962) (SPEC BACN10JA4) (OPT F2400-4 (V15653)) (OPT 43610-048 (V80539)) (OPT BRF110A4 (V52828)) (OPT BRF170A4 (V52828))	AB-AK	4
215	BACR15BA5AD		DELETED		
220	287T6111-55		...BRACKET-ZEE	AB-AK	1
225	287T6111-56		...BRACKET-ZEE	AB-AK	1
230	287T6111-58		...SPACER	AB-AK	2
235	287T6111-57		...BRACKET	AB-AK	1
240	287T6111-51		.BRACKET ASSY	AB,AD ,AF,A H	1
-245	287T6111-52		.BRACKET ASSY	AC,AE ,AG,A J,AK	1
250	BACR15BA5AD		...RIVET- (SIZE DETERMINE ON INST)	AB-AK	6
255	287T6111-66		..SLEEVE	AB-AK	2
260	287T6125-1		..PROTECTOR	AB-AK	1
265	287T6111-53		..BRACKET ASSY	AB,AD ,AF,A H	1
-270	287T6111-54		..BRACKET ASSY	AC,AE ,AG,A J,AK	1
275	BACR15BA3AD		...RIVET- (SIZE DETERMINE ON INST)	AB-AK	8

32-11-28

 ILLUSTRATED PARTS LIST
 01.1 Page 1094
 Jul 01/03


BOEING
 COMPONENT
 MAINTENANCE MANUAL

FIG. & ITEM	PART NO.	AIRLINE PART NUMBER	NOMENCLATURE 1234567	EFF CODE	QTY PER ASSY
14-280	F177-4		...NUTPLATE- (V72962) (SPEC BACN10JA4) (OPT F2400-4 (V15653)) (OPT 43610-048 (V80539)) (OPT BRF110A4 (V52828)) (OPT BRF170A4 (V52828))	AB-AK	4
285	BACR15BA5AD		DELETED		
290	287T6111-55		...BRACKET-ZEE	AB-AK	1
292	287T6111-47		...BRACKET	AB,AD ,AF,A H	1
-295	287T6111-56		...BRACKET-ZEE	AC,AE ,AG,A J,AK	1
-297	287T6111-48		...BRACKET	AC,AE ,AG,A J,AK	1
300	287T6111-58		...SPACER	AB-AK	2
305	287T6111-57		...BRACKET	AB-AK	1
310	287T6111-67		.PLATE ASSY	AB-AK	2
315	287T6125-2		..PROTECTOR	AB-AK	1
320	287T6111-68		..PLATE ASSY	AB-AK	1
325	BACR15BA3AD		...RIVET- (SIZE DETERMINE ON INST)	AB-AK	8
330	F177-4		...NUTPLATE- (V72962) (SPEC BACN10JA4) (OPT F2400-4 (V15653)) (OPT 43610-048 (V80539)) (OPT BRF110A4 (V52828)) (OPT BRF170A4 (V52828))	AB-AK	4

32-11-28

ILLUSTRATED PARTS LIST

01.1 Page 1094A

Jul 01/03

FIG. & ITEM	PART NO.	AIRLINE PART NUMBER	NOMENCLATURE 1234567	EFF CODE	QTY PER ASSY
14-					
335	287T6111-69		. . . PLATE	AB-AK	1
340	287T6116-11		. BLOCK-CLAMP	AB, AD , AF, A H	4
-345	287T6116-12		. BLOCK-CLAMP	AC, AE , AG, A J, AK	4
350	287T6111-70		. FILLER	AB-AK	2
355	NAS514P1032		. SCREW	AB-AK	4
360	NAS1149D0332J		. WASHER	AB-AK	4
365	MS21042L3		. NUT	AB-AK	4
370	287T6122-2		. PLATE-MT	AB, AC , AD, A E	1
375	287T6111-84		. BRACKET	AF-AK	1
380	287T6123-3		. RETAINER-PLATE	AB-AE	2
-380A	287T6123-5		. RETAINER-PLATE	AF-AK	2
385	NAS1801-3-10		. SCREW	AB-AK	1
390	NAS1149D0363J		. WASHER	AB-AK	2
395	MS21042L3		. NUT	AB-AK	1
400	JM44LC13WS12R		. CLAMP- (V22175) (SPEC BACC10GE12) (OPT S369WH12 (V18076)) (OPT TA12C32WS12 (V84971)) (OPT 509S12 (V83930))	AB, AC , AF, A G, AK	2
-400A	JM44LC13WS10R		. CLAMP- (V22175) (SPEC BACC10GE10) (OPT S369WH10 (V18076)) (OPT TA12C32WS10 (V84971)) (OPT 509S10 (V83930))	AD, AE , AH, A J	1

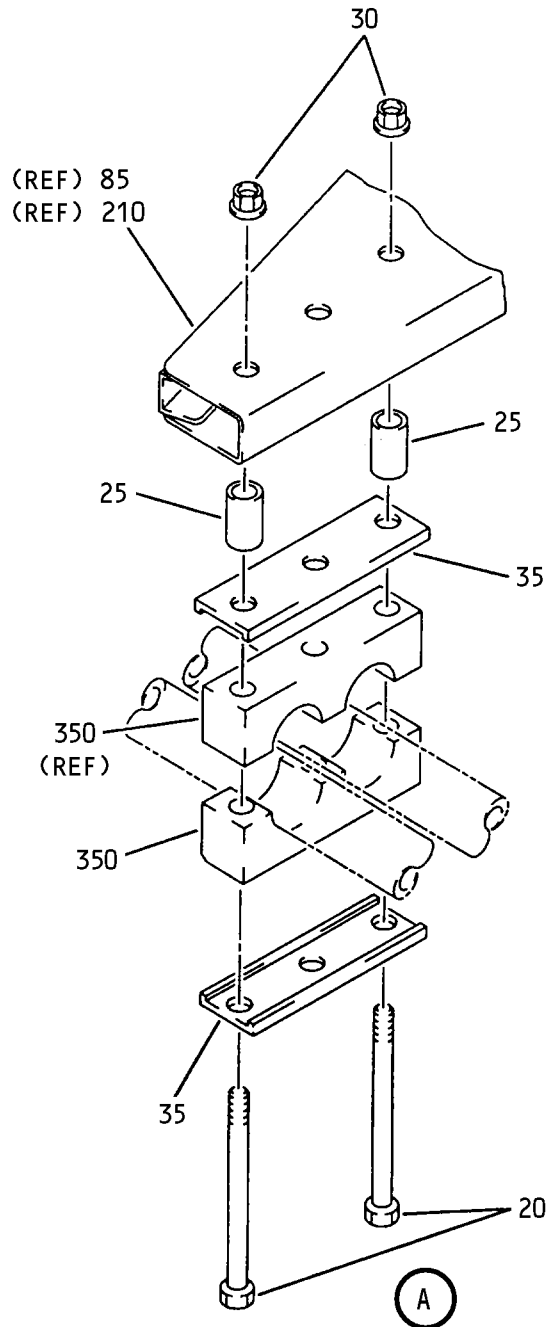
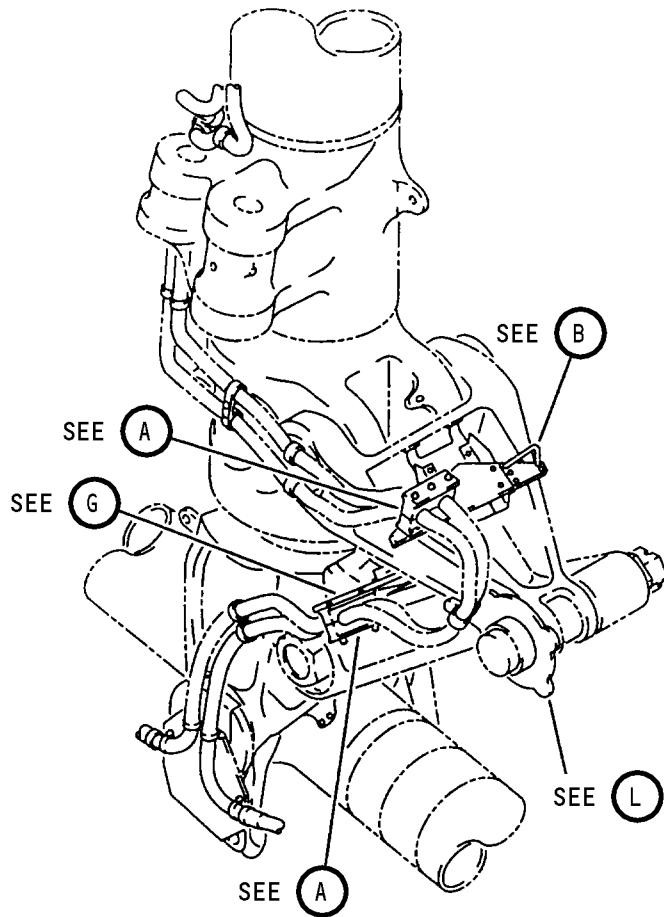
- Item Not Illustrated

32-11-28

ILLUSTRATED PARTS LIST

01.1 Page 1094B

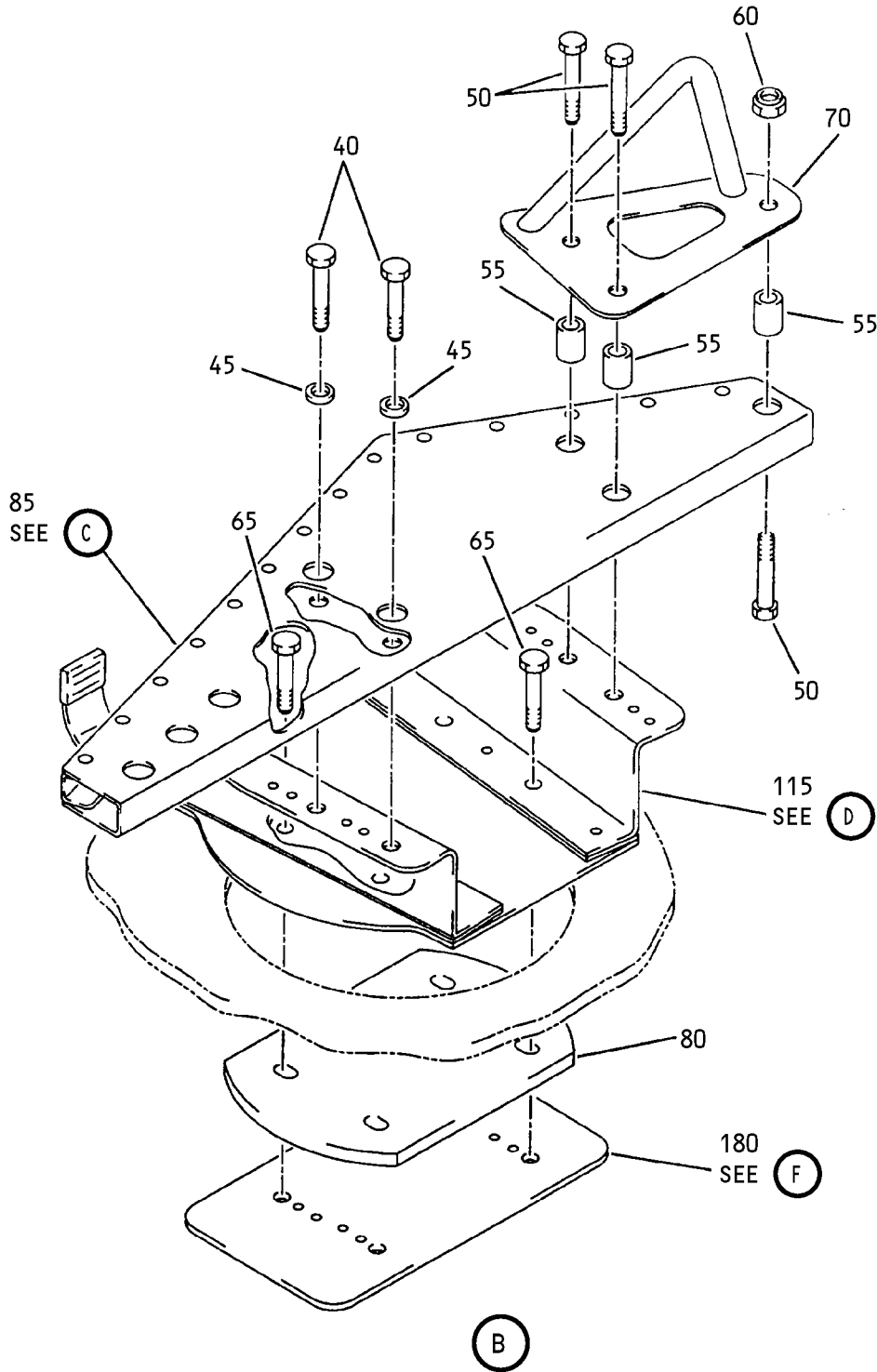
Jul 01/03



Wire Provision Installation
 Figure 15 (Sheet 1)

32-11-28

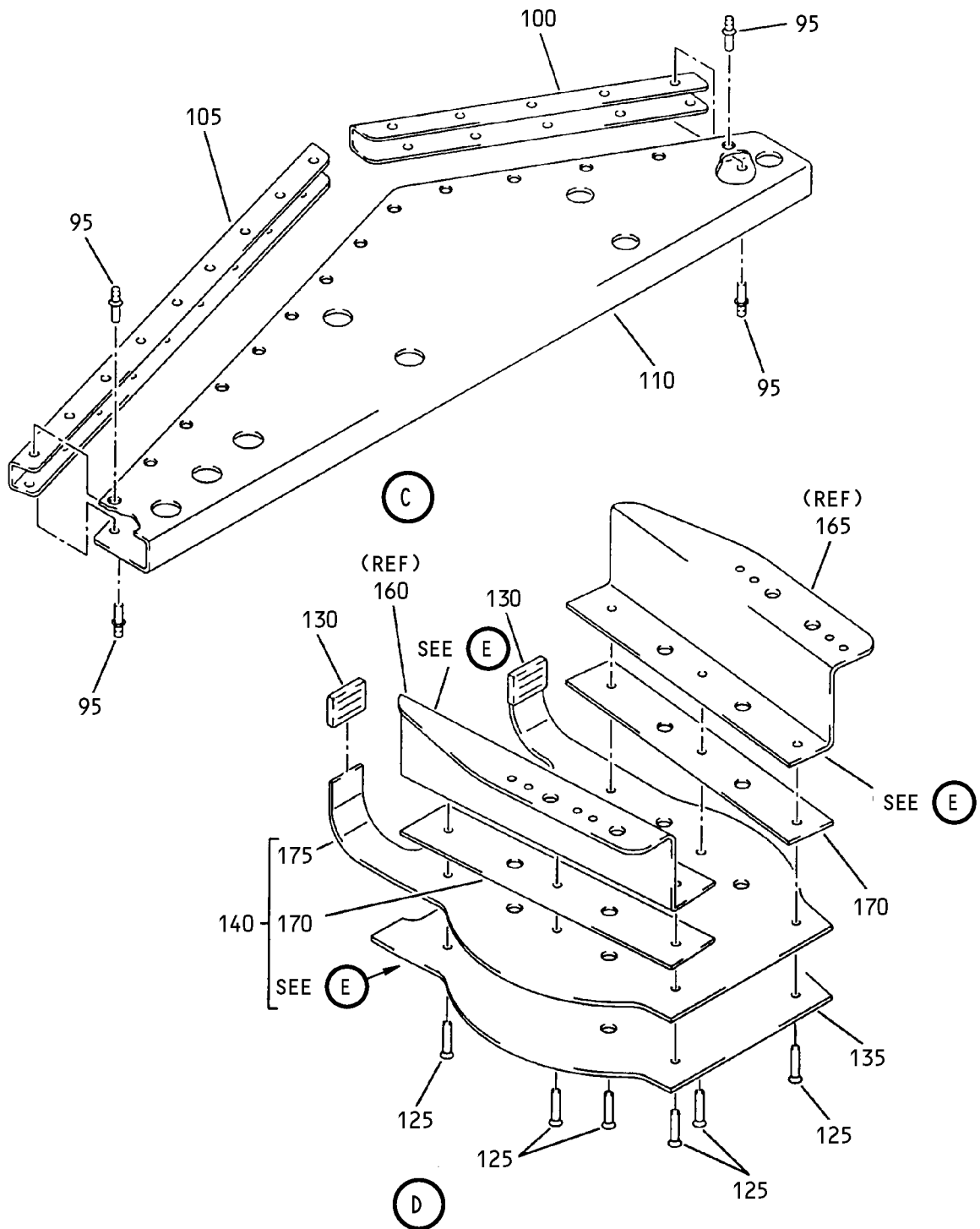
ILLUSTRATED PARTS LIST
 01.1 Page 1094D
 Jul 01/03



Wire Provision Installation
Figure 15 (Sheet 2)

32-11-28

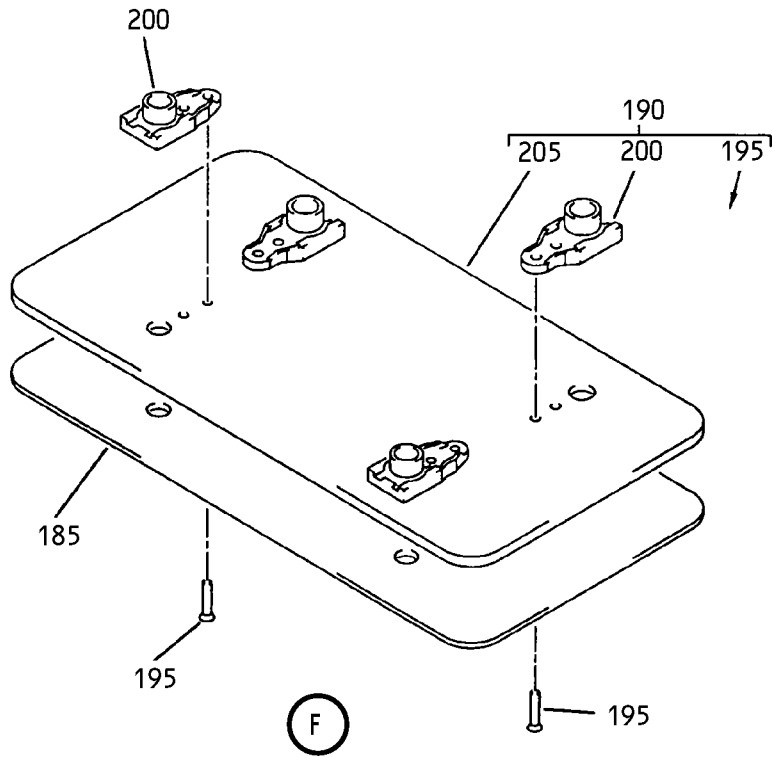
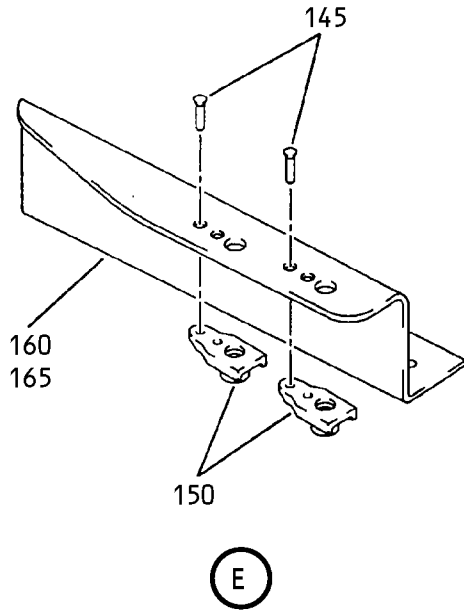
ILLUSTRATED PARTS LIST
01.1 Page 1094E
Jul 01/03



Wire Provision Installation
 Figure 15 (Sheet 3)

32-11-28

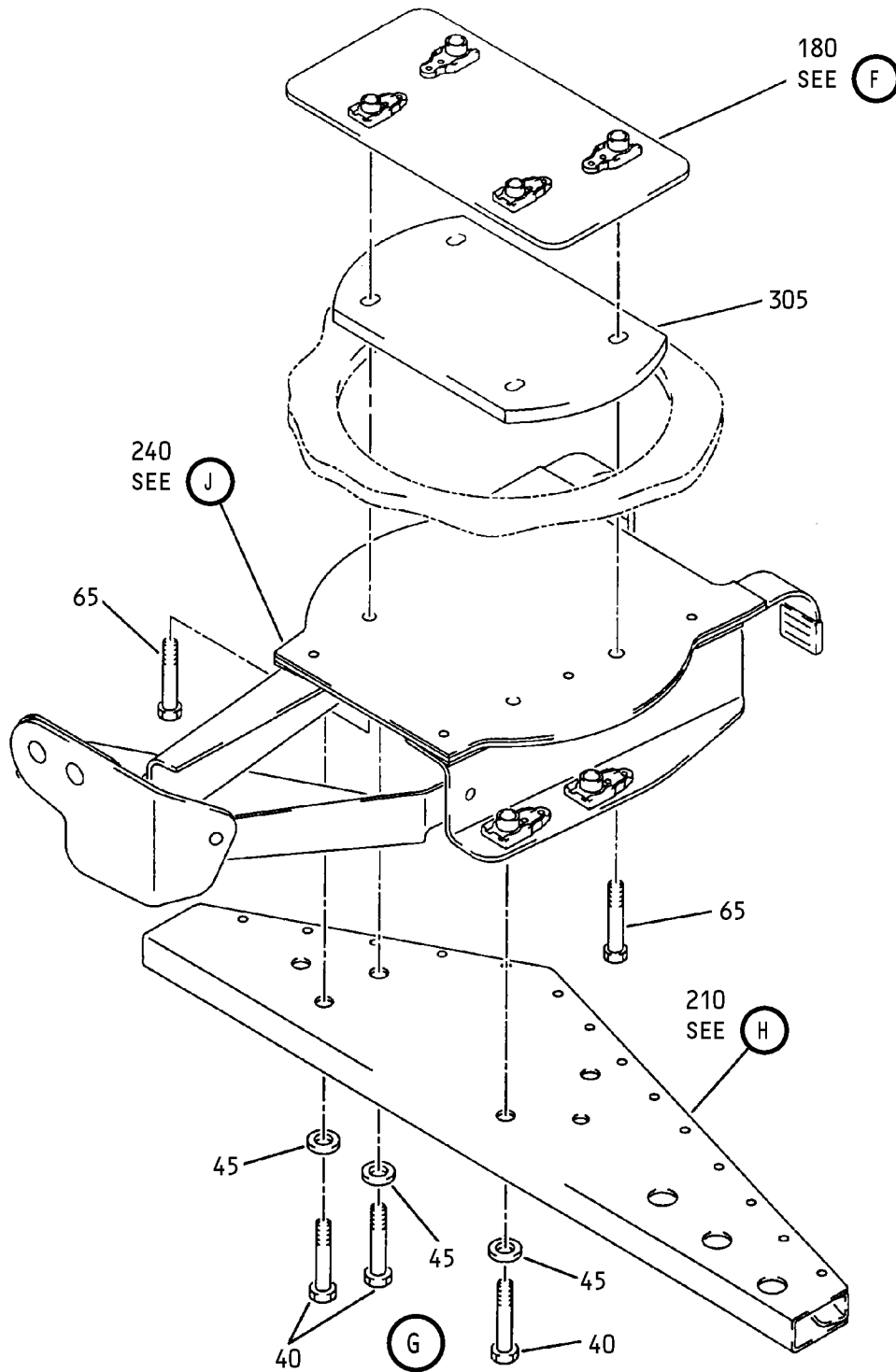
ILLUSTRATED PARTS LIST
 01.1 Page 1094F
 Jul 01/03



Wire Provision Installation
 Figure 15 (Sheet 4)

32-11-28

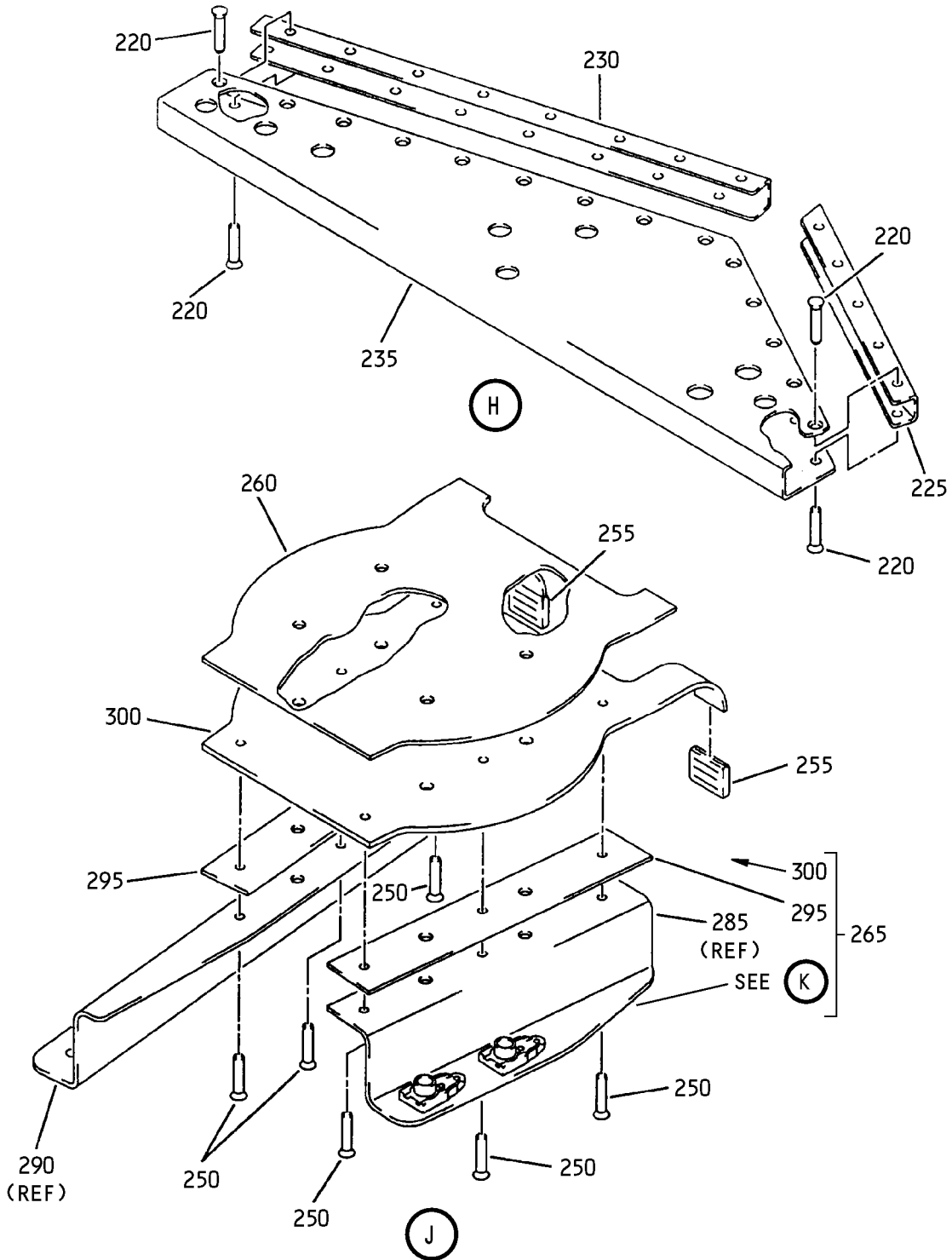
ILLUSTRATED PARTS LIST
 01.1 Page 1094G
 Jul 01/03



Wire Provision Installation
Figure 15 (Sheet 5)

32-11-28

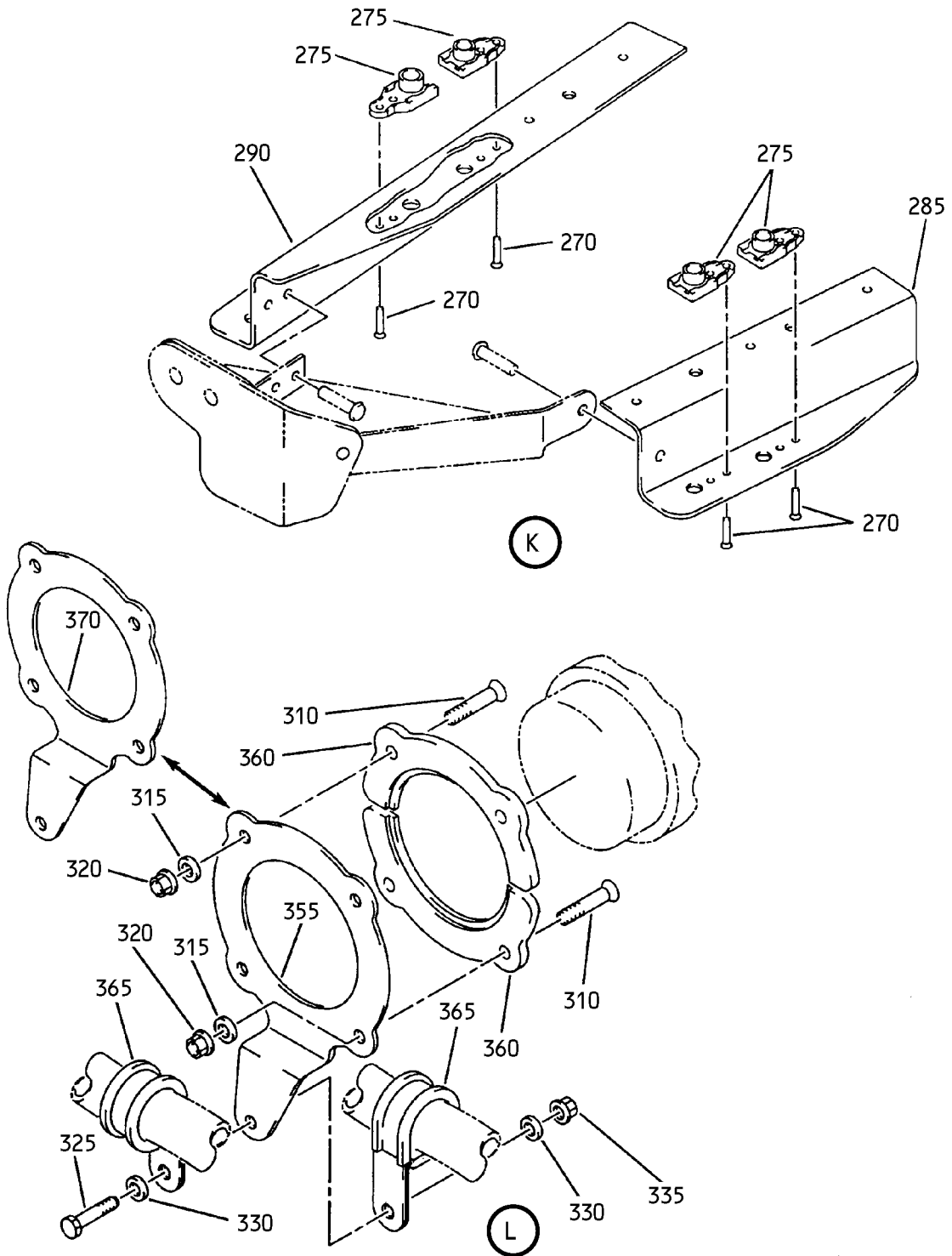
ILLUSTRATED PARTS LIST
01.1 Page 1094H
Jul 01/03



Wire Provision Installation
 Figure 15 (Sheet 6)

32-11-28

ILLUSTRATED PARTS LIST
 01.1 Page 1094I
 Jul 01/03



Wire Provision Installation
Figure 15 (Sheet 7)

32-11-28

ILLUSTRATED PARTS LIST
01.1 Page 1094J
Jul 01/03


BOEING
 COMPONENT
 MAINTENANCE MANUAL

FIG. & ITEM	PART NO.	AIRLINE PART NUMBER	NOMENCLATURE 1234567	EFF CODE	QTY PER ASSY
15- -1	287T6101-419		WIRE PROV INSTL-L MLG TORSION LINK (335K-350K GROSS WT) (0.62 ID CONDUIT)	CC	RF
-1A	287T6101-421		WIRE PROV INSTL-L MLG TORSION LINK (335K-350K GROSS WT) (0.50 ID CONDUIT)	CD	RF
-1B	287T6101-423		WIRE PROV INSTL-L MLG TORSION LINK (380K-400K GROSS WT) (0.62 ID CONDUIT)	CE	RF
-1C	287T6101-425		WIRE PROV INSTL-L MLG TORSION LINK (380K-400K GROSS WT) (0.50 ID CONDUIT)	CF	RF
-5	287T6101-420		WIRE PROV INSTL-R MLG TORSION LINK (335K-350K GROSS WT) (0.62 ID CONDUIT)	CG	RF
-5A	287T6101-422		WIRE PROV INSTL-R MLG TORSION LINK (335K-350K GROSS WT) (0.50 ID CONDUIT)	CH	RF
-5B	287T6101-424		WIRE PROV INSTL-R MLG TORSION LINK (335K-350K GROSS WT) (0.50 ID CONDUIT)	CJ	RF
-5C	287T6101-426		WIRE PROV INSTL-R MLG TORSION LINK (335K-350K GROSS WT) (0.50 ID CONDUIT)	CK	RF

32-11-28

 ILLUSTRATED PARTS LIST
 01.1 Page 1094K
 Jul 01/03

FIG. & ITEM	PART NO.	AIRLINE PART NUMBER	NOMENCLATURE 1234567	EFF CODE	QTY PER ASSY
15-					
-10	287T6101-121		.BASIC PACKAGE	CC-CF	1
-15	287T6101-122		.BASIC PACKAGE	CG-CJ	1
20	NAS6603-35		..BOLT	CC-CK	6
25	NAS42DD6-36FC		..SPACER	CC-CK	6
30	MS21042L3		..NUT	CC-CK	6
35	287T6111-10		..CHANNEL	CC-CK	4
40	NAS6604-3		..BOLT	CC-CK	5
45	NAS1149D0463J		..WASHER	CC-CK	5
50	NAS6604-10		..BOLT	CC-CK	3
55	NAS42DD8-36FC		..SPACER	CC-CK	3
60	BRH10C4D		..NUT- (V52828) (SPEC BACN10JC4CD) (OPT T6C428JCD (V11815)) (OPT NS202486-048 (V80539)) (OPT 102LH9075-4W (V72962)) (OPT H51650-4BAC (V15653))	CC-CK	1
65	NAS6604-9		..BOLT	CC-CK	8
70	272T0174-1		..BRACKET ASSY-HOSE	CC-CK	1
-75	272T0174-2		..BRACKET ASSY-HOSE	CG-CK	1
80	287T6111-70		..FILLER	CC-CK	1
85	287T6111-59		..BRACKET ASSY	CC-CK	1
-90	287T6111-60		..BRACKET ASSY- (OPT ITEM 90A)	CG-CK	1
-90A	287T6111-90		..BRACKET ASSY- (OPT ITEM 90)	CG-CK	1
95	NAS1399D4A2		...RIVET	CC-CK	28

32-11-28

ILLUSTRATED PARTS LIST

01.1 Page 1094L

Jul 01/03


BOEING
 COMPONENT
 MAINTENANCE MANUAL

FIG. & ITEM	PART NO.	AIRLINE PART NUMBER	NOMENCLATURE 1234567	EFF CODE	QTY PER ASSY
15-					
100	287T6111-64		...CHANNEL	CC-CK	1
105	287T6111-65		...CHANNEL	CC-CK	1
110	287T6111-63		...BRACKET	CC-CK	1
115	287T6111-45		..BRACKET ASSY-SPRT	CC-CK	1
-120	287T6111-46		..BRACKET ASSY-SPRT	CG-CK	1
125	BACR15BA5AD		...RIVET- (SIZE DETERMINE ON INST)	CC-CK	6
130	287T6111-66		...SLEEVE	CC-CK	2
135	287T6125-1		...PROTECTOR	CC-CK	1
140	287T6111-49		...BRACKET ASSY	CC-CK	1
145	BACR15BA3AD	RIVET- (SIZE DETERMINE ON INST)	CC-CK	8
150	F177-4	NUTPLATE- (V72962) (SPEC BACN10JA4) (OPT F2400-4 (V15653)) (OPT 43610-048 (V80539)) (OPT BRF110A4 (V52828)) (OPT BRF170A4 (V52828))	CC-CK	4
155	BACR15BA5AD		DELETED		
160	287T6111-55	BRACKET-ZEE	CC-CK	1
165	287T6111-56	BRACKET-ZEE	CC-CK	1
170	287T6111-58	SPACER	CC-CK	2
175	287T6111-57	BRACKET	CC-CK	1
180	287T6111-67		..PLATE ASSY	CC-CK	2
185	287T6125-2		...PROTECTOR	CC-CK	1
190	287T6111-68		...PLATE ASSY	CC-CK	1
195	BACR15BA3AD	RIVET- (SIZE DETERMINE ON INST)	CC-CK	8
200	F177-4	NUTPLATE- (V72962) (SPEC BACN10JA4) (OPT F2400-4 (V15653)) (OPT 43610-048 (V80539)) (OPT BRF110A4 (V52828)) (OPT BRF170A4 (V52828))	CC-CK	4

32-11-28

ILLUSTRATED PARTS LIST

01.1 Page 1094M

Jul 01/03

FIG. & ITEM	PART NO.	AIRLINE PART NUMBER	NOMENCLATURE 1234567	EFF CODE	QTY PER ASSY
15-					
205	287T6111-69	PLATE	CC-CK	1
210	287T6111-61		..BRACKET ASSY	CC-CK	1
-215	287T6111-62		..BRACKET ASSY-	CG-CK	1
			(OPT ITEM 215A)		
-215A	287T6111-92		..BRACKET ASSY-	CG-CK	1
			(OPT ITEM 215)		
220	NAS1399D4A2		...RIVET	CC-CK	28
225	287T6111-64		...CHANNEL	CC-CK	1
230	287T6111-65		...CHANNEL	CC-CK	1
235	287T6111-63		...BRACKET	CC-CK	1
240	287T6111-51		..BRACKET ASSY	CC-CK	1
-245	287T6111-52		..BRACKET ASSY	CG-CK	1
250	BACR15BA5AD		...RIVET-	CC-CK	6
			(SIZE DETERMINE ON INST)		
255	287T6111-66		...SLEEVE	CC-CK	2
260	287T6125-1		...PROTECTOR	CC-CK	1
265	287T6111-53		...BRACKET ASSY	CC-CK	1
270	BACR15BA3AD	RIVET-	CC-CK	8
			(SIZE DETERMINE ON INST)		
275	F177-4	NUTPLATE-	CC-CK	4
			(V72962)		
			(SPEC BACN10JA4)		
			(OPT F2400-4		
			(V15653))		
			(OPT 43610-048		
			(V80539))		
			(OPT BRF110A4		
			(V52828))		
			(OPT BRF170A4		
			(V52828))		

32-11-28

ILLUSTRATED PARTS LIST

01.1 Page 1094N

Jul 01/03

BOEING
 COMPONENT
 MAINTENANCE MANUAL

FIG. & ITEM	PART NO.	AIRLINE PART NUMBER	NOMENCLATURE 1234567	EFF CODE	QTY PER ASSY
15-			DELETED		
280	BACR15BA5AD				
285	287T6111-55	BRACKET-ZEE	CC-CK	1
290	287T6111-56	BRACKET-ZEE	CC-CK	1
295	287T6111-58	SPACER	CC-CK	2
300	287T6111-57	BRACKET	CC-CK	1
305	287T6111-70		..FILLER	CC-CK	1
310	NAS514P1032-10P		..SCREW	CC-CK	4
315	NAS1149D0332J		..WASHER	CC-CK	4
320	MS21042L3		..NUT	CC-CK	4
325	NAS1801-3-10		..SCREW	CC-CK	1
330	NAS1149D0363J		..WASHER	CC-CK	2
335	MS21042L3		..NUT	CC-CK	1
-340	287T6101-123		.OPTION PACKAGE	CC	1
-340A	287T6101-125		.OPTION PACKAGE	CD	1
-340B	287T6101-127		.OPTION PACKAGE	CE	1
-340C	287T6101-129		.OPTION PACKAGE	CF	1
-345	287T6101-124		.OPTION PACKAGE	CG	1
-345A	287T6101-126		.OPTION PACKAGE	CH	1
-345B	287T6101-128		.OPTION PACKAGE	CJ	1
-345C	287T6101-130		.OPTION PACKAGE	CK	1
350	287T6116-11		..BLOCK-CLAMP	CC,CE ,CG,C J	4
-350A	287T6116-12		..BLOCK-CLAMP	CD,CF ,CH,C K	4
355	287T6122-2		..PLATE-MTG	CC,CD ,CG,C H	1
360	287T6123-3		..RETAINER-PLATE	CC,CD ,CG,C H	2

32-11-28

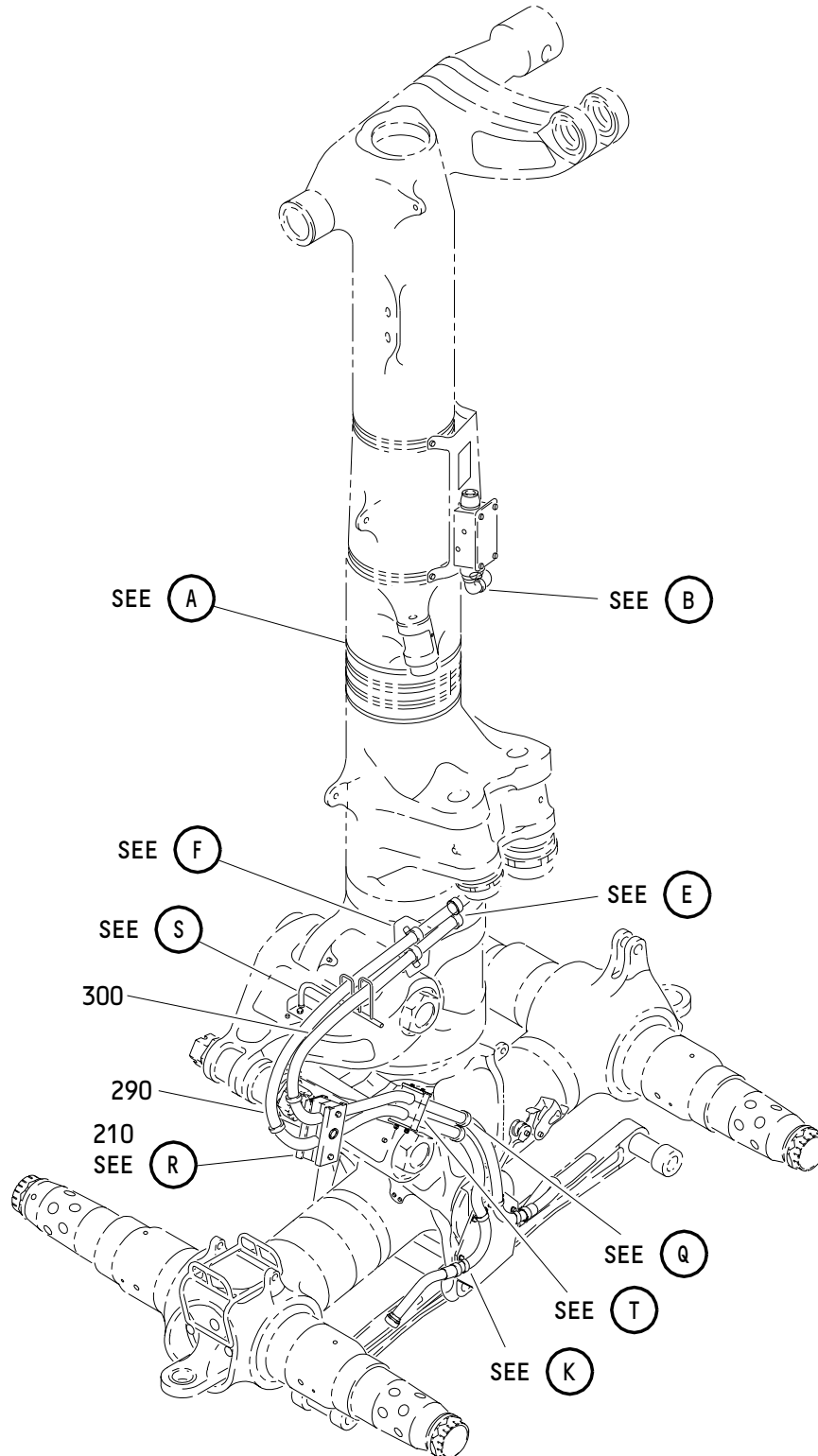
ILLUSTRATED PARTS LIST
 01.1 Page 10940
 Jul 01/03

FIG. & ITEM	PART NO.	AIRLINE PART NUMBER	NOMENCLATURE 1234567	EFF CODE	QTY PER ASSY
15- -360A	287T6123-5		..RETAINER-PLATE	CE,CF ,CJ,C K	2
365	JM44LC13WS12R		..CLAMP- (V22175) (SPEC BACC10GE12) (OPT S369WH12 (V18076)) (OPT TA12C32WS12 (V84971)) (OPT 509S12 (V83930))	CC,CE ,CG,C J,CK	2
-365A	JM44LC13WS10R		..CLAMP- (V22175) (SPEC BACC10GE10) (OPT S369WH10 (V18076)) (OPT TA12C32WS10 (V84971)) (OPT 509S10 (V83930))	CD,CF ,CH,C K	2
370	287T6111-84		..BRACKET	CE,CF ,CJ,C K	1

- Item Not Illustrated

32-11-28

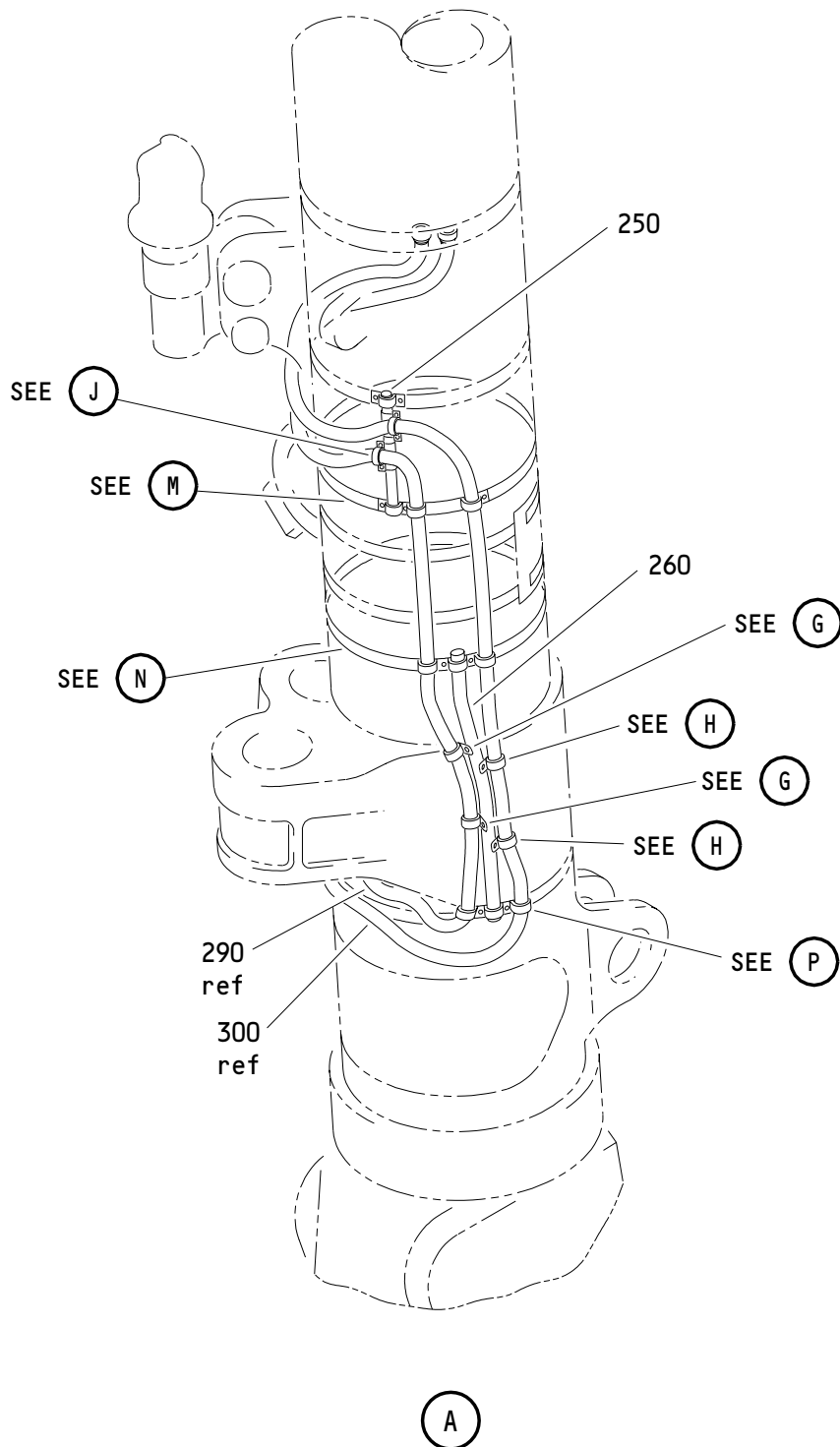
ILLUSTRATED PARTS LIST
 01.1 Page 1094P
 Jul 01/03



Wire Provision Installation - Oleo to Truck
Figure 16 (Sheet 1)

32-11-28

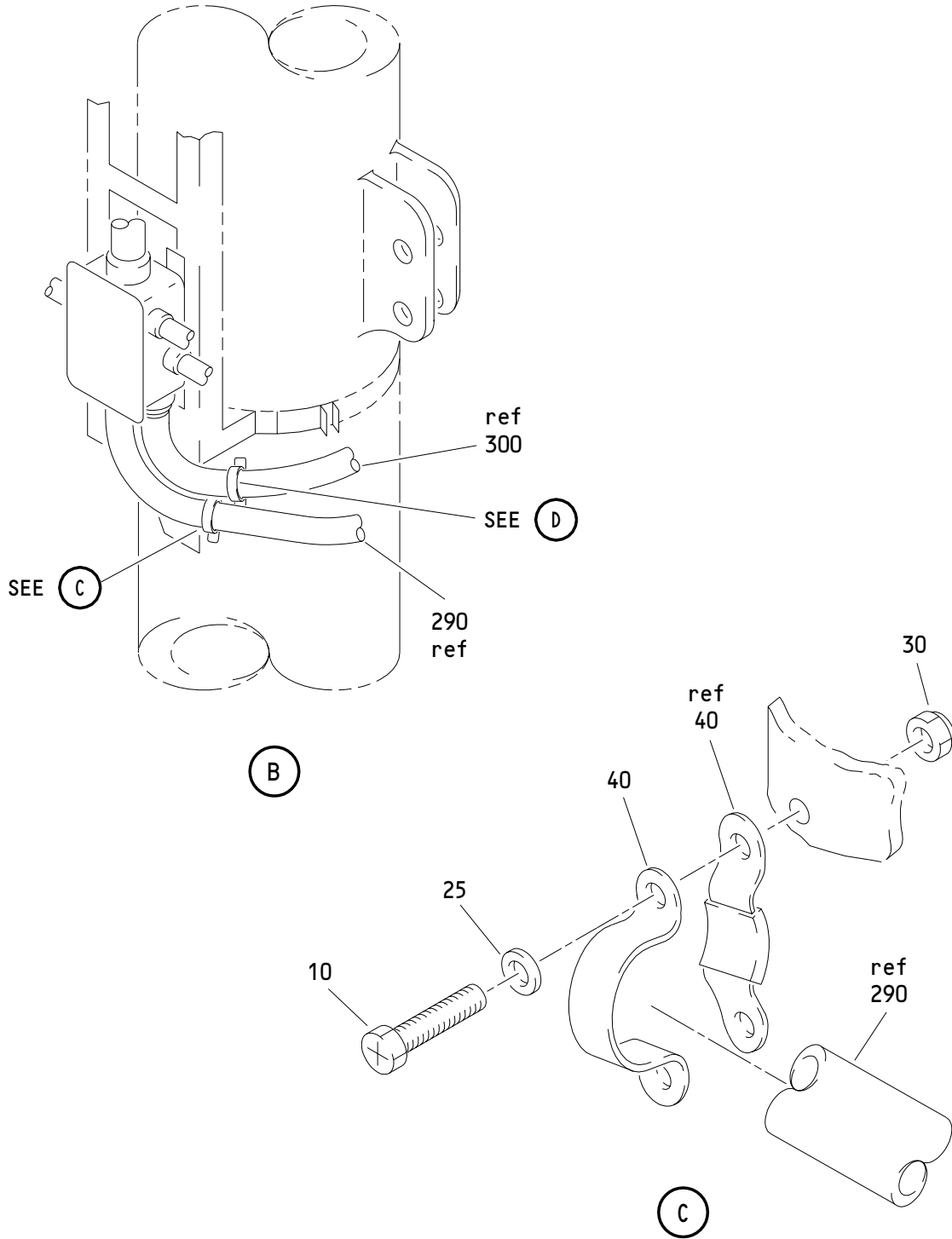
ILLUSTRATED PARTS LIST
01.1 Page 1094Q
Jul 01/03



Wire Provision Installation - Oleo to Truck
Figure 16 (Sheet 2)

32-11-28

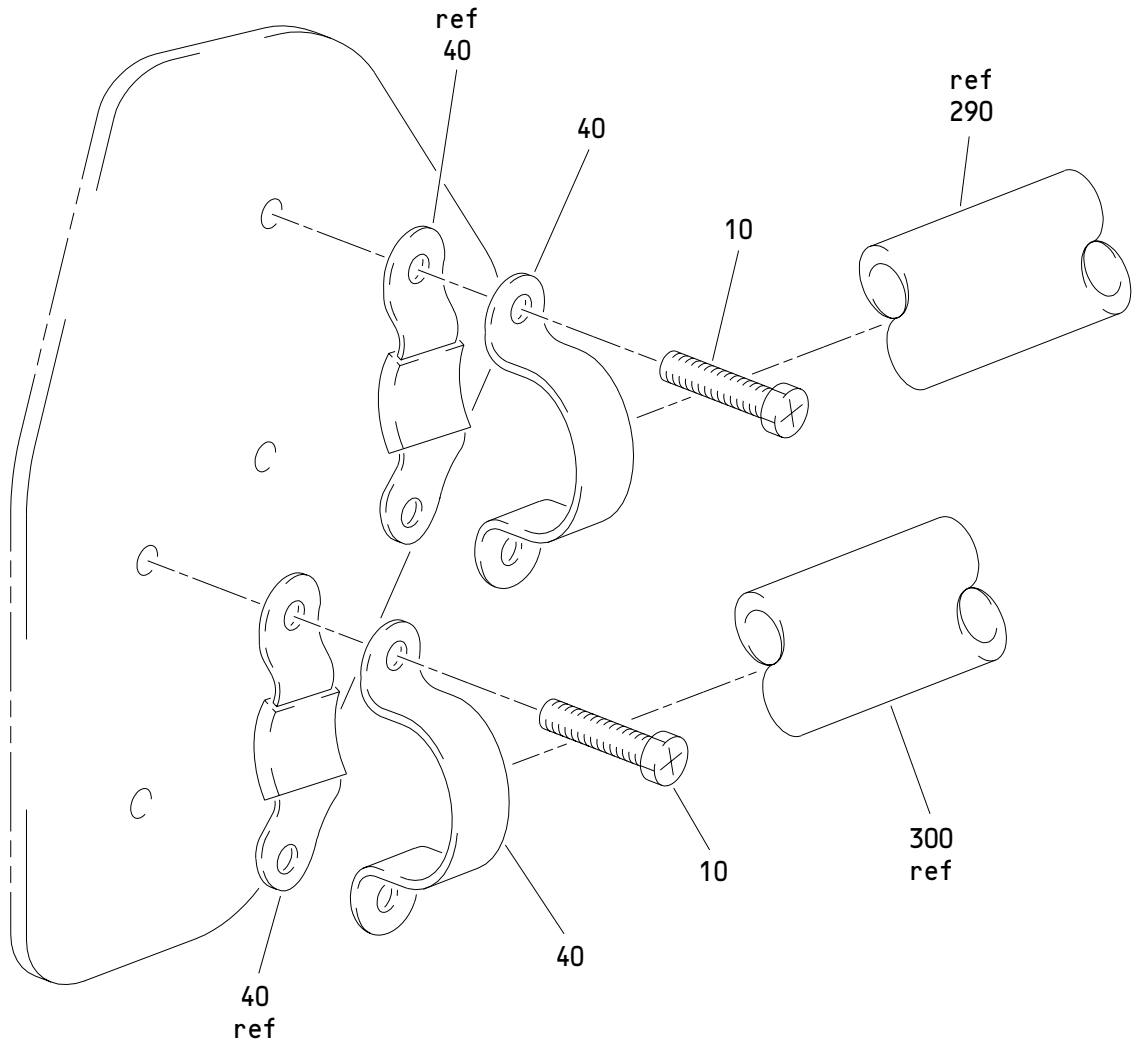
ILLUSTRATED PARTS LIST
01.1 Page 1094R
Jul 01/03



Wire Provision Installation - Oleo to Truck
Figure 16 (Sheet 3)

32-11-28

ILLUSTRATED PARTS LIST
01.1 Page 1094S
Jul 01/03

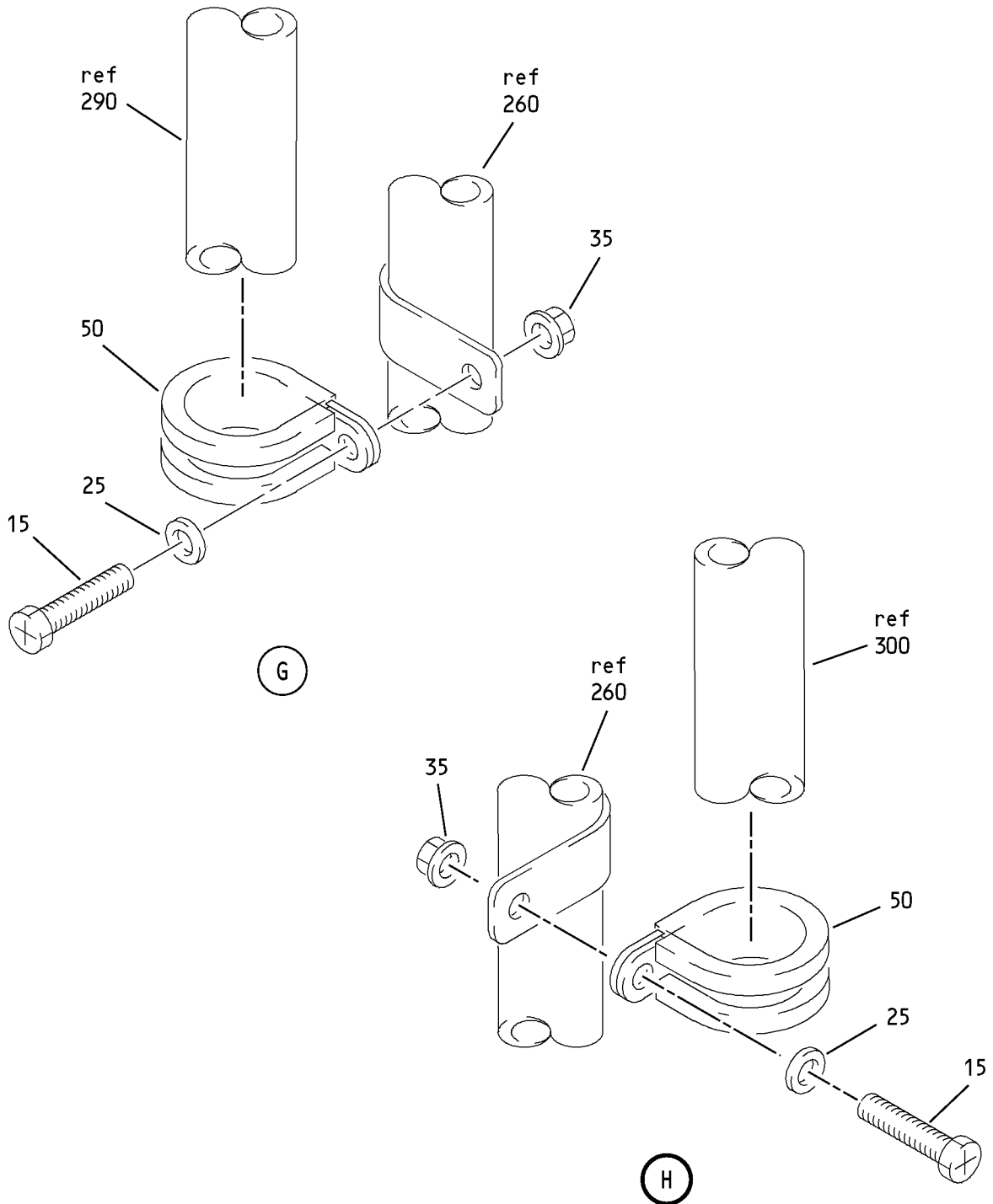


F

Wire Provision Installation - Oleo to Truck
Figure 16 (Sheet 5)

32-11-28

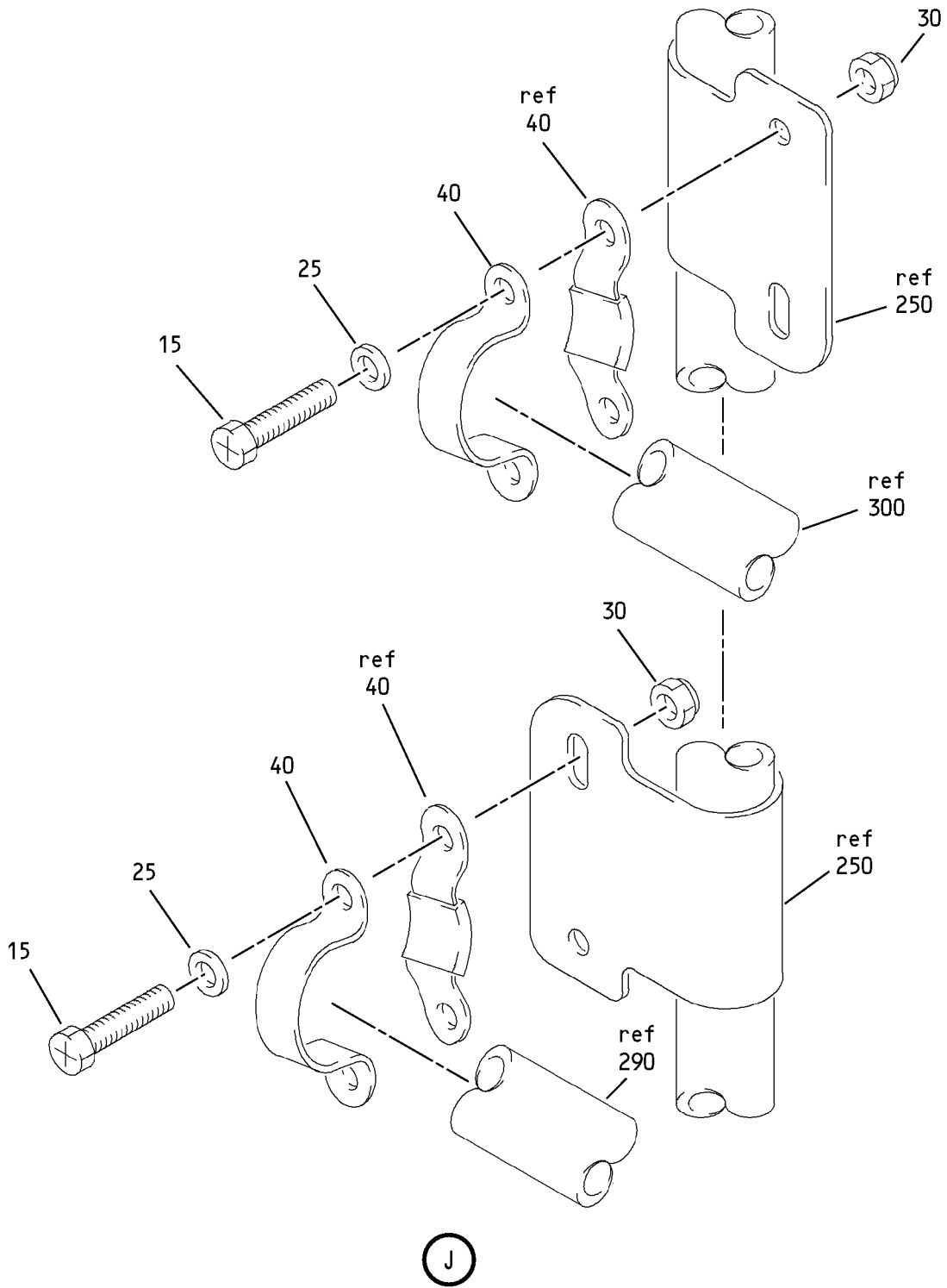
ILLUSTRATED PARTS LIST
01.1 Page 1094U
Jul 01/03



Wire Provision Installation - Oleo to Truck
Figure 16 (Sheet 6)

32-11-28

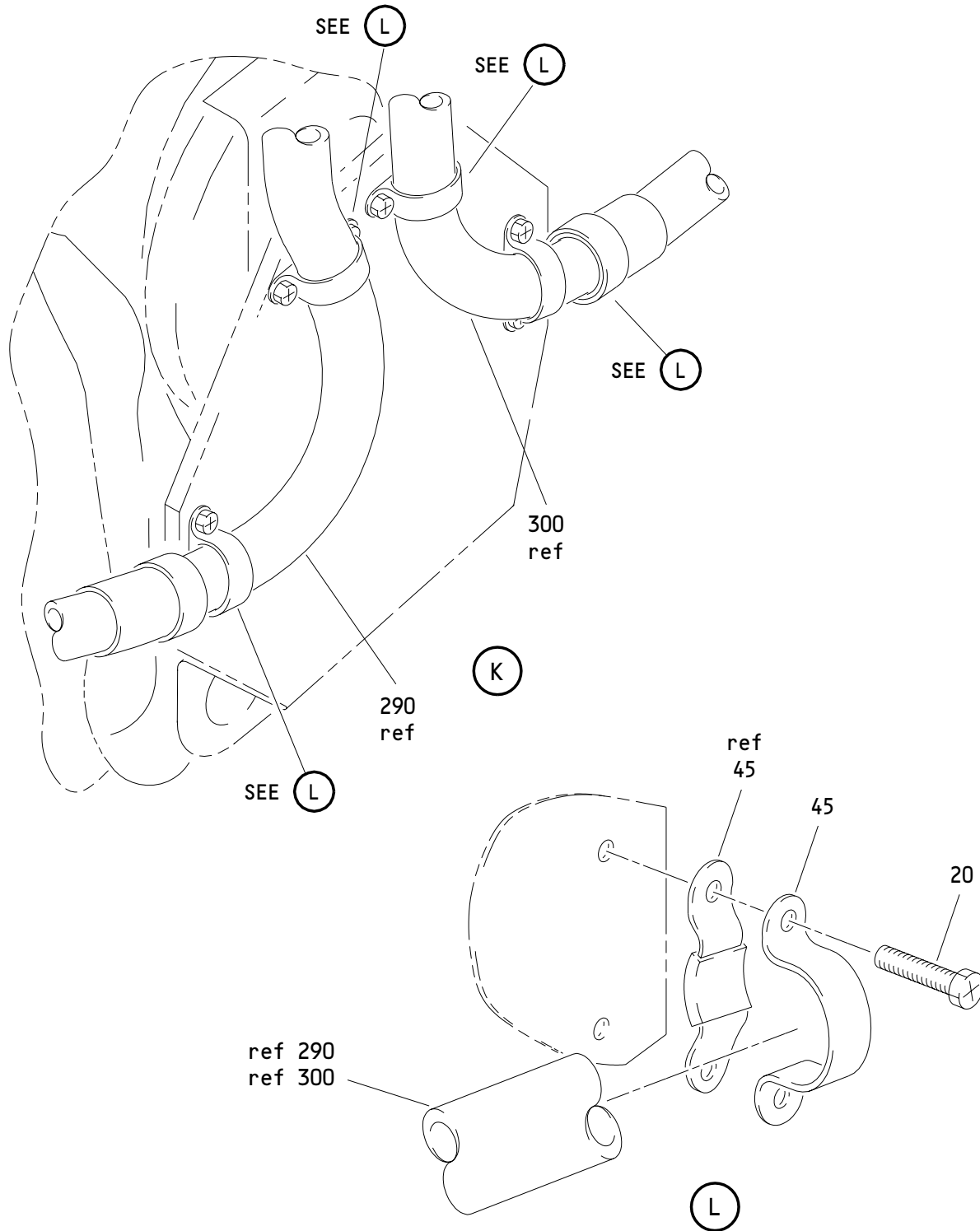
ILLUSTRATED PARTS LIST
01.1 Page 1094V
Jul 01/03



Wire Provision Installation - Oleo to Truck
Figure 16 (Sheet 7)

32-11-28

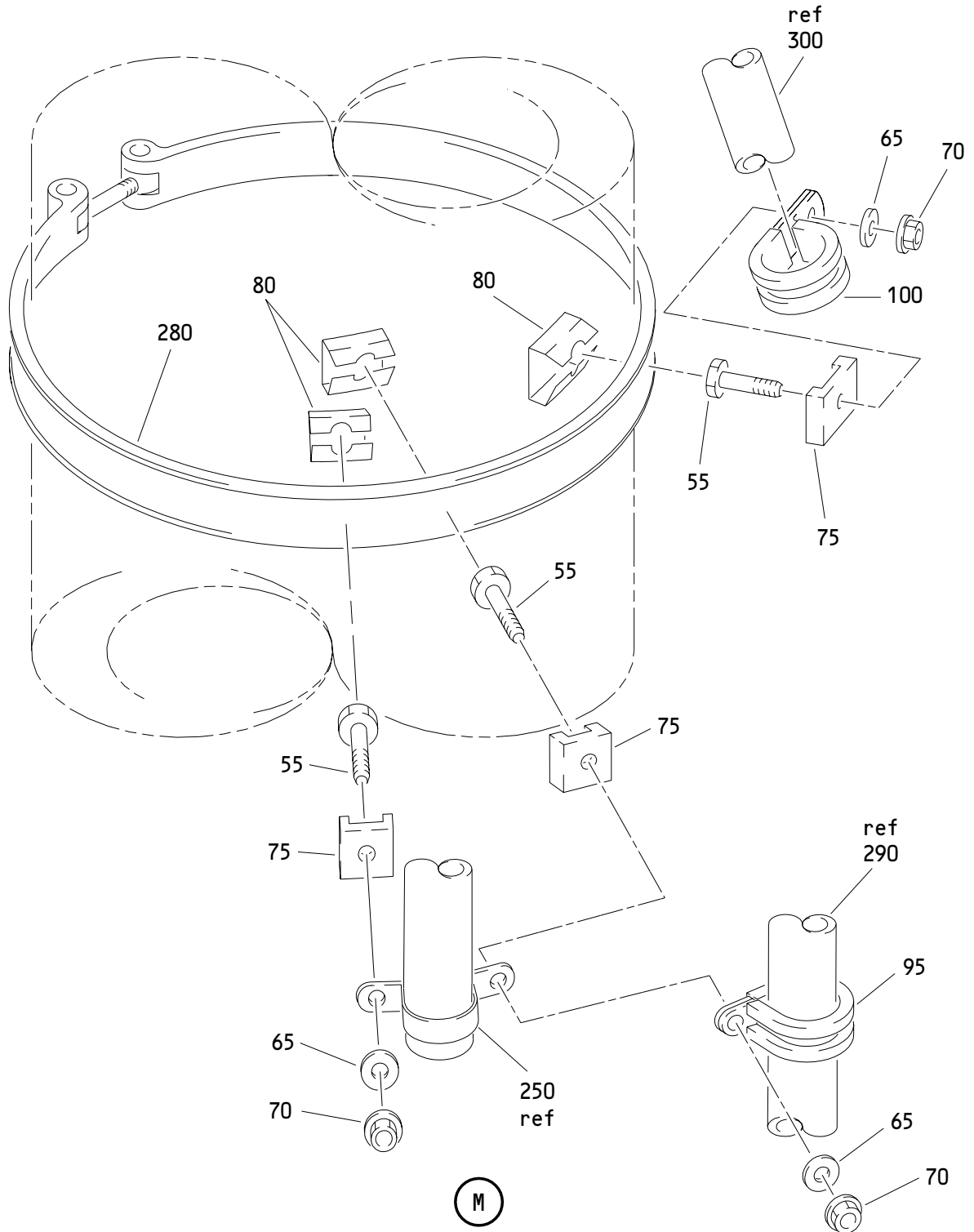
ILLUSTRATED PARTS LIST
01.1 Page 1094W
Jul 01/03



Wire Provision Installation - Oleo to Truck
 Figure 16 (Sheet 8)

32-11-28

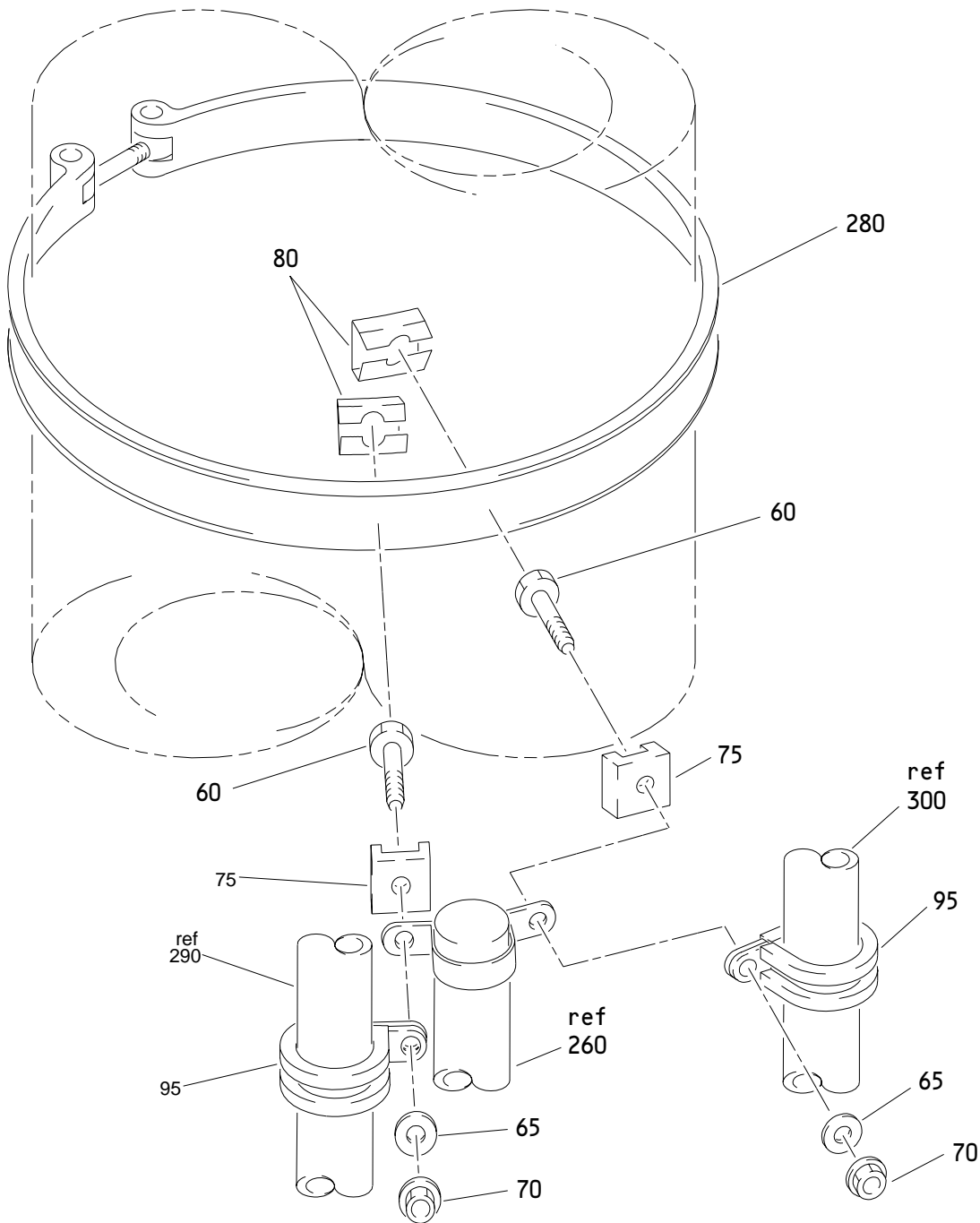
ILLUSTRATED PARTS LIST
 01.1 Page 1094X
 Jul 01/03



Wire Provision Installation - Oleo to Truck
Figure 16 (Sheet 9)

32-11-28

ILLUSTRATED PARTS LIST
01.1 Page 1094Y
Jul 01/03

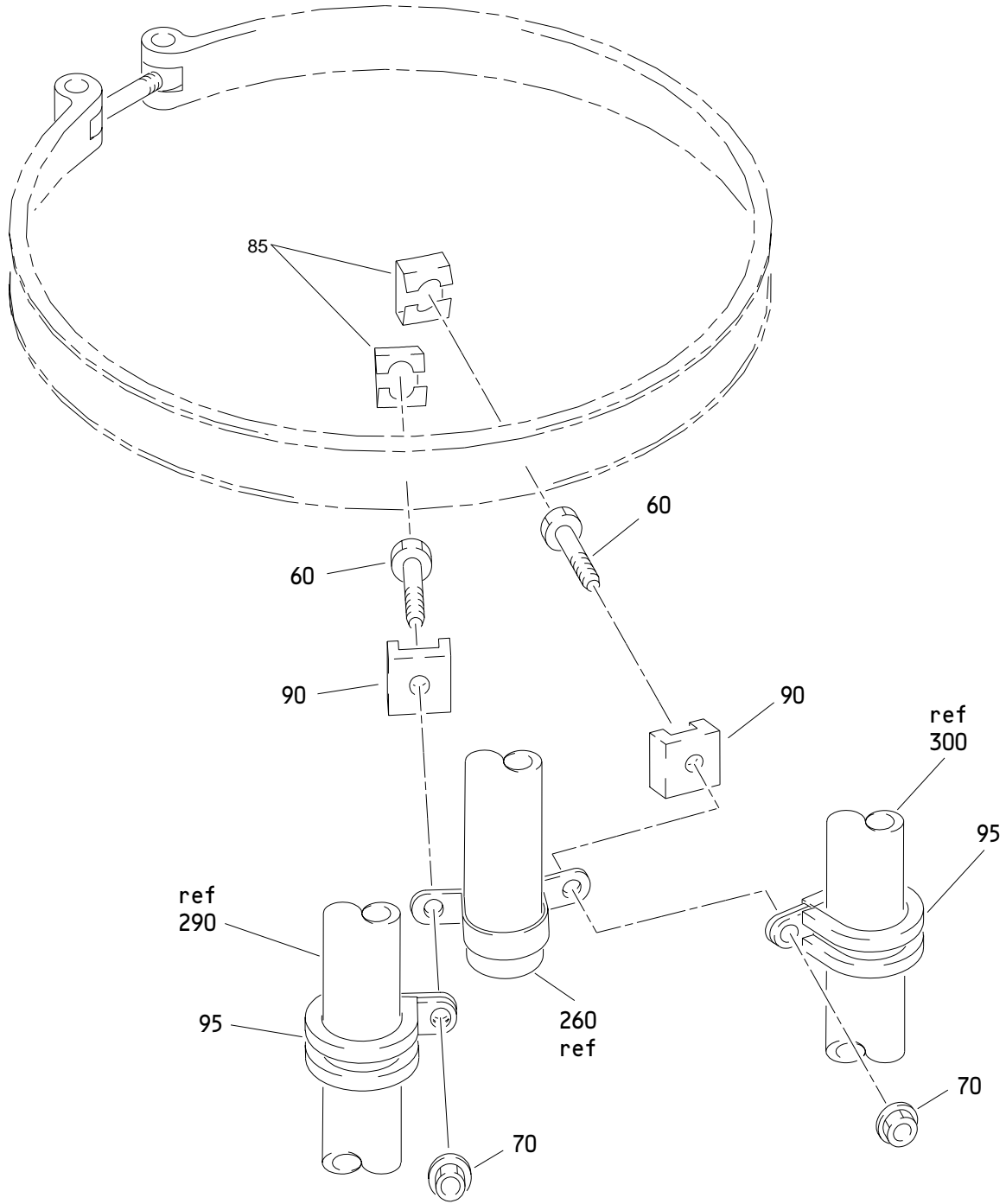


(N)

Wire Provision Installation - Oleo to Truck
Figure 16 (Sheet 10)

32-11-28

ILLUSTRATED PARTS LIST
01.1 Page 1094Z
Jul 01/03

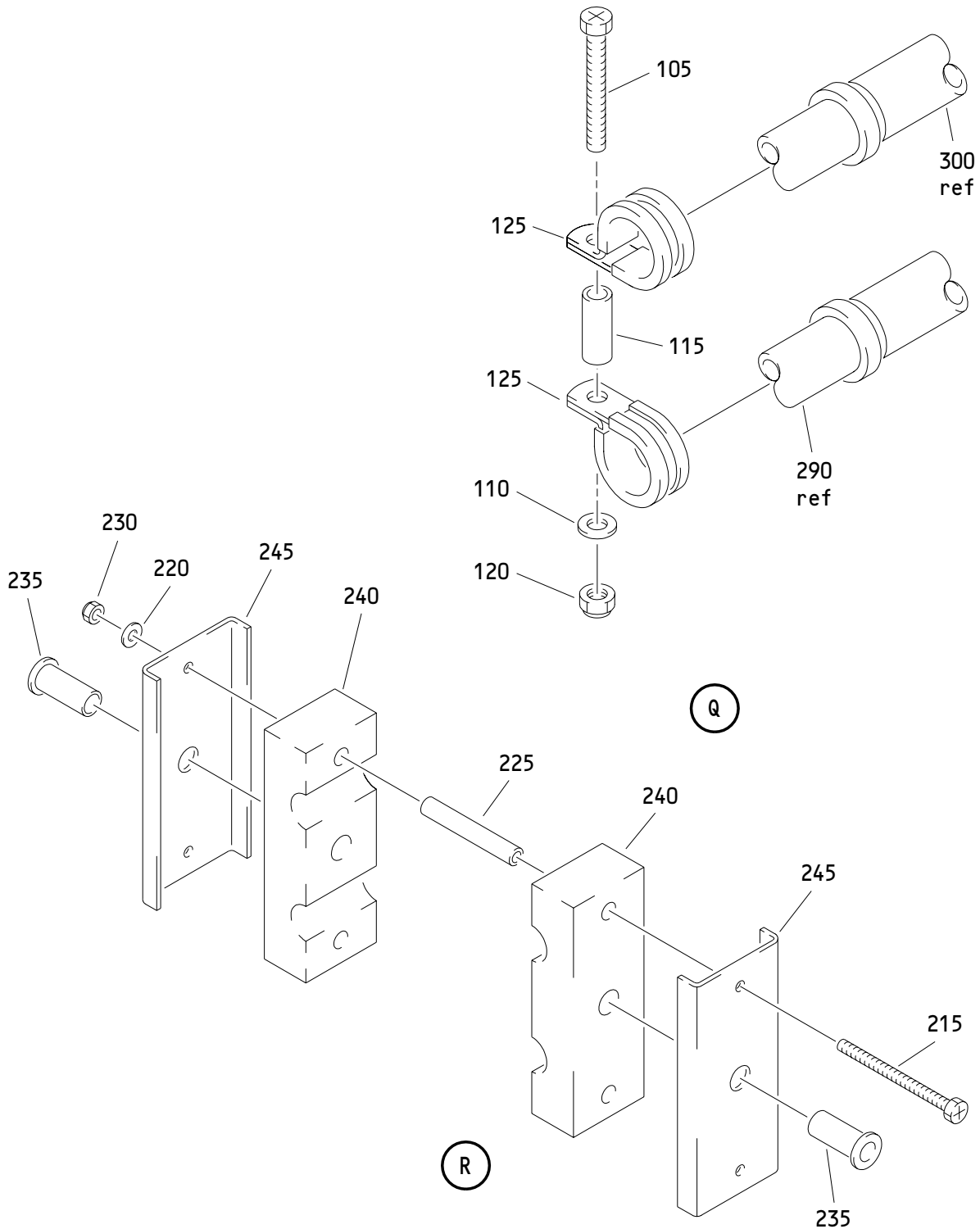


P

Wire Provision Installation - Oleo to Truck
Figure 16 (Sheet 11)

32-11-28

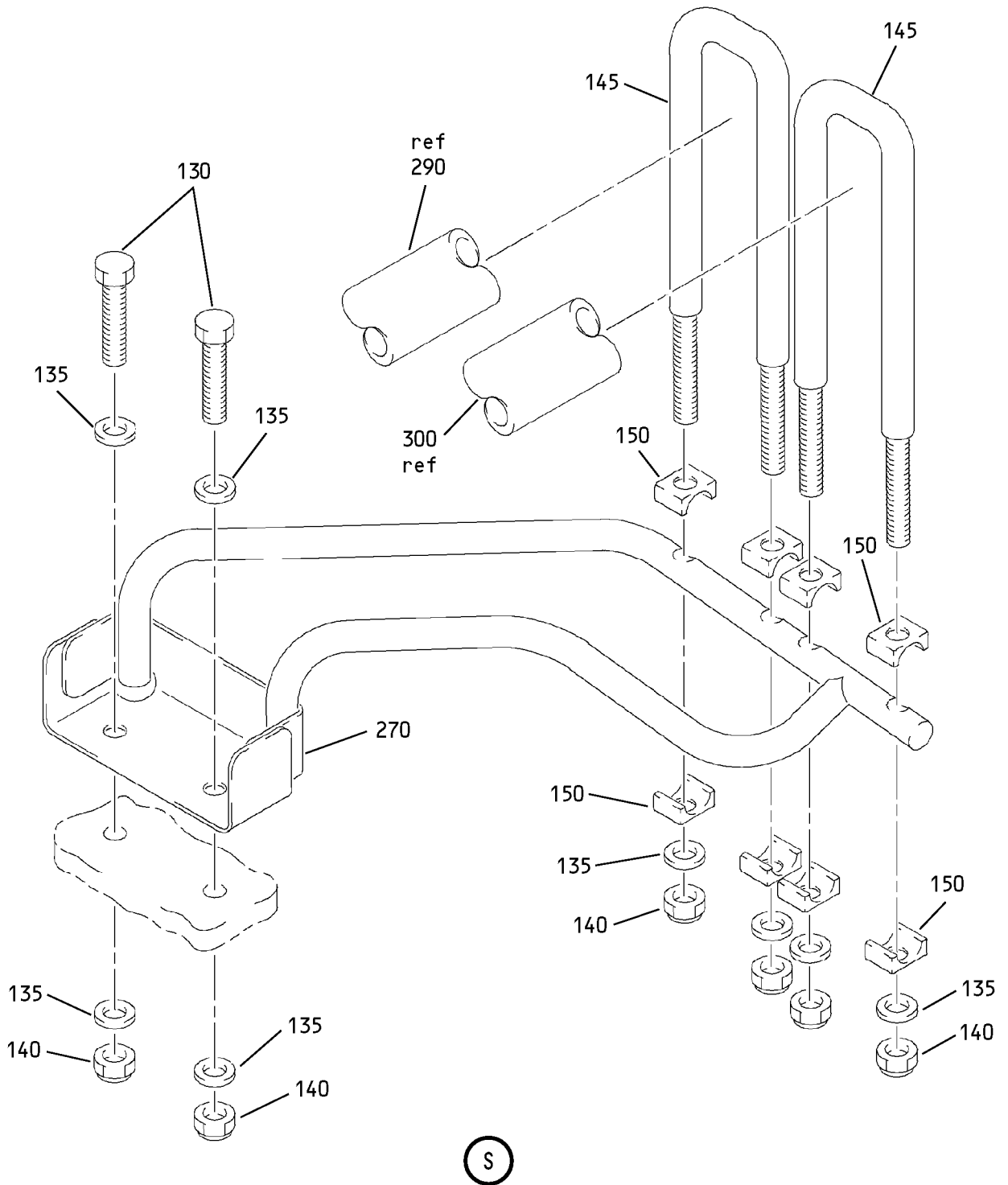
ILLUSTRATED PARTS LIST
01.1 Page 1095
Jul 01/03



Wire Provision Installation - Oleo to Truck
 Figure 16 (Sheet 12)

32-11-28

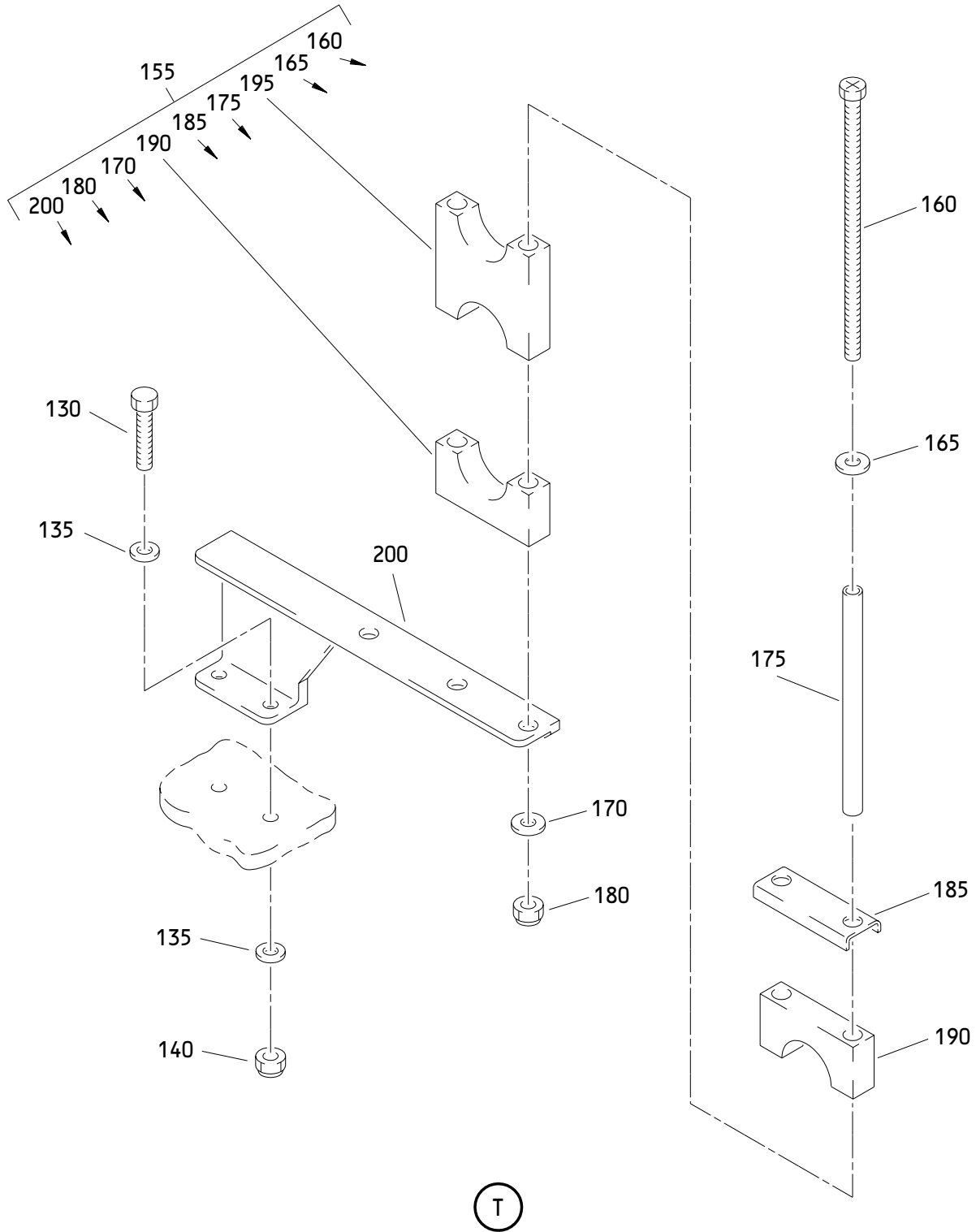
ILLUSTRATED PARTS LIST
 01.1 Page 1096
 Jul 01/03



Wire Provision Installation - Oleo to Truck
Figure 16 (Sheet 13)

32-11-28

ILLUSTRATED PARTS LIST
01.1 Page 1096A
Jul 01/03



Wire Provision Installation - Oleo to Truck
 Figure 16 (Sheet 14)

32-11-28

ILLUSTRATED PARTS LIST
 01.1 Page 1096B
 Jul 01/03


BOEING
 COMPONENT
 MAINTENANCE MANUAL

FIG. & ITEM	PART NO.	AIRLINE PART NUMBER	NOMENCLATURE 1234567	EFF CODE	QTY PER ASSY
R 16- -1A	287T6101-4025		WIRE PROV INSTL-L MLG, REAR SPAR TO OLEO	CU	RF
R -5	287T6101-4026		WIRE PROV INSTL-R MLG, REAR SPAR TO OLEO	CV	RF
R 10	BACS12GU3K9		.SCREW	CU,CV	8
R 15	BACS12GU3K7		.SCREW	CU,CV	8
R 20	BACS12GU3K8		.SCREW	CU,CV	8
R 25	NAS1149D0332J		.WASHER	CU,CV	10
R 30	BRH10C3D		.NUT- (V52828) (SPEC BACN10JC3CD) (OPT T6C1032JCD (V11815)) (OPT NS202486-02 (V80539)) (OPT 102LH9075-3W (V72962)) (OPT H51650-3BAC (V15653))	CU,CV	6
R 35	H52732-3CD		.NUT- (V15653) (SPEC BACN10YR3CD) (OPT PLH53CD (V62554))	CU,CV	4
R 40	S595-17		.CLAMP- (V18076) (SPEC BACC10HT17) (OPT 44SC13H17PB (V22175)) (OPT 1068717P (V83930)) (OPT TA095000217 (V84971))	CU,CV	6

32-11-28

 ILLUSTRATED PARTS LIST
 01.1 Page 1096C
 Jul 01/03

FIG. & ITEM	PART NO.	AIRLINE PART NUMBER	NOMENCLATURE 1234567	EFF CODE	QTY PER ASSY
R 16-45	S595-14		.CLAMP- (V18076) (SPEC BACC10HT14) (OPT 44SC38H14PB (V22175)) (OPT 1068714P (V83930)) (OPT TA095000214 (V84971))	CU,CV	4
R 50	JM44LC13WD17R		.CLAMP- (V22175) (SPEC BACC10GE17A) (OPT S369WHD17 (V18076)) (OPT TA12C32WD17 (V84971)) (OPT 509A17 (V83930))	CU,CV	4
R 55	BACB30NM3K4		.BOLT	CU,CV	4
R 60	BACB30NM3K5		.BOLT	CU,CV	4
R 65	NAS1149D0332J		.WASHER	CU,CV	5
R 70	H52732-3CD		.NUT- (V15653) (SPEC BACN10YR3CD) (OPT PLH53CD (V62554))	CU,CV	8
R 75	BACB19F10S		.BLOCK	CU,CV	5
R 80	BACC15AN10		.CLIP	CU,CV	5
R 85	272T6146-58		.CLIP	CU,CV	3
R 90	272T6146-59		.CLIP	CU,CV	3
R 95	JM44LC13WD17R		.CLAMP- (V22175) (SPEC BACC10GE17A) (OPT S369WHD17 (V18076)) (OPT TA12C32WD17 (V84971)) (OPT 509A17 (V83930))	CU,CV	5

32-11-28

 ILLUSTRATED PARTS LIST
 01.1 Page 1096D
 Jul 01/03


BOEING
 COMPONENT
 MAINTENANCE MANUAL

FIG. & ITEM	PART NO.	AIRLINE PART NUMBER	NOMENCLATURE 1234567	EFF CODE	QTY PER ASSY
R 16-100	JM44LC13WH17R		.CLAMP- (V22175) (SPEC BACC10GE17C) (OPT S369WHSS17 (V18076)) (OPT TA12C32WH17 (V84971)) (OPT 509SS17 (V83930))	CU,CV	3
R 105	BACS12GU3K17		.SCREW	CU,CV	1
R 110	NAS1149D0332J		.WASHER	CU,CV	1
R 115	NAS43DD3-42FC		.SPACER	CU,CV	1
R 120	H52732-3CD		.NUT- (V15653) (SPEC BACN10YR3CD) (OPT PLH53CD (V62554))	CU,CV	1
R 125	S369WSSH14		.CLAMP- (V18076) (SPEC BACC10GE14C) (OPT 509SS14 (V83930)) (OPT TA12C32WH14 (V84971)) (OPT JM44LC13WH14R (V22175))	CU,CV	2
R 130	BACB30NM4K12		.BOLT	CU,CV	4
R 135	NAS1149D0432J		.WASHER	CU,CV	12
R 140	BRH10C4D		.NUT- (V52828) (SPEC BACN10JC4CD) (OPT T6C428JCD (V11815)) (OPT NS202486-048 (V80539)) (OPT 102LH9075-4W (V72962)) (OPT H51650-4BAC (V15653))	CU,CV	8

32-11-28

ILLUSTRATED PARTS LIST

01.1 Page 1096E

Jul 01/03



COMPONENT
MAINTENANCE MANUAL

FIG. & ITEM	PART NO.	AIRLINE PART NUMBER	NOMENCLATURE 1234567	EFF CODE	QTY PER ASSY
R 16-					
R 145	287T6151-2		. FAIRLEAD	CU,CV	2
R 150	287T6138-12		. BLOCK ASSY-CLAMP	CU,CV	8
R 155	287T6138-13		. BLOCK ASSY-CLAMP	CU,CV	1
R 160	BACS12GU3K68		.. SCREW	CU,CV	2
R 165	NAS1149D0316J		.. WASHER	CU,CV	2
R 170	NAS1149D0363J		.. WASHER	CU,CV	2
R 175	NAS43DD3-241FC		.. SPACER	CU,CV	2
R 180	BRH10C3D		.. NUT- (V52828) (SPEC BACN10JC3CD) (OPT T6C1032JCD (V11815)) (OPT NS202486-02 (V80539)) (OPT 102LH9075-3W (V72962)) (OPT H51650-3BAC (V15653))	CU,CV	2
R 185	272W9102-22		.. CHANNEL	CU,CV	1
R 190	287T6138-9		.. BLOCK	CU,CV	2
R 195	287T6138-11		.. BLOCK	CU,CV	1
R 200	287T6136-1		. BRACKET	CU	1
R -205	287T6136-2		. BRACKET	CV	1
R 210	287T6138-1		. BLOCK ASSY-CLAMP	CU,CV	1
R 215	BACS12GU3K40		.. SCREW	CU,CV	2
R 220	NAS1149D0316J		.. WASHER	CU,CV	2
R 225	NAS43DD3-128FC		.. SPACER	CU,CV	2
R 230	BRH10C3D		.. NUT- (V52828) (SPEC BACN10JC3CD) (OPT T6C1032JCD (V11815)) (OPT NS202486-02 (V80539)) (OPT 102LH9075-3W (V72962)) (OPT H51650-3BAC (V15653))	CU,CV	2

32-11-28


BOEING
 COMPONENT
 MAINTENANCE MANUAL

FIG. & ITEM	PART NO.	AIRLINE PART NUMBER	NOMENCLATURE 1234567	EFF CODE	QTY PER ASSY
16-					
R 235	BACB28X9M009		..BUSHING-FLANGED	CU,CV	2
R 240	287T6138-3		..BLOCK	CU,CV	2
R 245	287T6138-5		..CHANNEL	CU,CV	2
R 250	287T6141-27		.SUPPORT ASSY-TUBE	CU	1
R -255	287T6141-28		.SUPPORT ASSY-TUBE	CV	1
R 260	287T6141-29		.SUPPORT ASSY-TUBE	CU	1
R -265	287T6141-30		.SUPPORT ASSY-TUBE	CV	1
R 270	287T6141-37		.TUBE ASSY	CU	1
R -275	287T6141-38		.TUBE ASSY	CV	1
R 280	3140AB127E		.CLAMP-BAND (V94581) (SPEC BACC10FY127SE) (OPT BC1083-127SE (V14242)) (OPT NE103338-127 (V8W928))	CU,CV	2
R -285	Y8412		.TAPE- (V26066) (OPT ITEMS 285A, 285B)	CU,CV	AR
R -285A	3M5421		.TAPE- (V26066) (OPT ITEMS 285, 285B)	CU,CV	AR
R -285B	7355		.TAPE- (V88301) (OPT ITEMS 285, 285A)	CU,CV	AR
R 290	287T6104-4031		.HARNESS ASSY-WIRE (REF CMM 32-10-53)	CU	1
R -295	287T6104-4032		.HARNESS ASSY-WIRE (REF CMM 32-10-53)	CV	1
R 300	287T6104-4033		.HARNESS ASSY-WIRE (REF CMM 32-10-53)	CU	1
R -305	287T6104-4034		.HARNESS ASSY-WIRE (REF CMM 32-10-53)	CV	1

- Item Not Illustrated

32-11-28

 ILLUSTRATED PARTS LIST
 01.1 Page 1096G
 Jul 01/03